

# PPC-177T

## 17" Panel PC with Intel® Core™ 2 Duo Processor



### Features

- Intel® Core™2 Duo processor up to 2.16 GHz
- System memory up to 4 GB 667 MHz DDR2 SODIMM socket x 2
- One PCI-e Expansion Slot (PCI is available as option)
- One Mini PCI slot, Type II CF card x1; IDE interface (Master)
- Built-in CF card interface (IDE interface for OS booting)
- Two Gigabit Ethernet ports

### Introduction

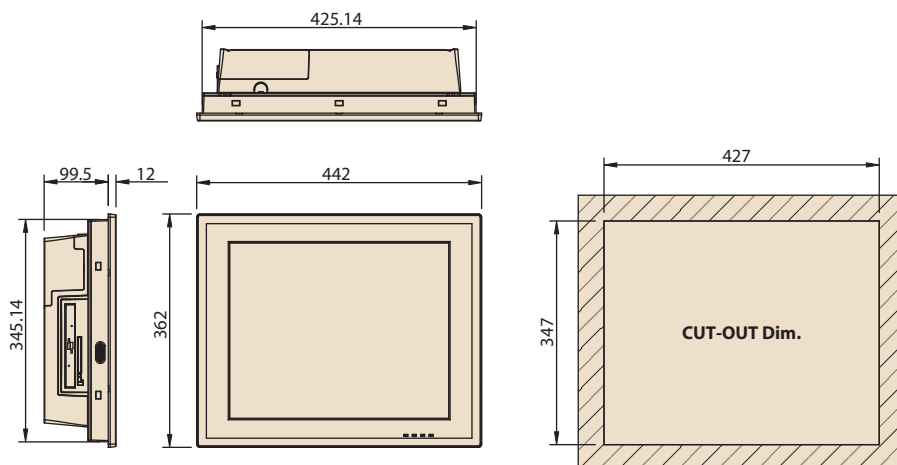
The PPC-177T is an Intel® Core 2 Duo based Panel PC with 17" color TFT LCD. It features multimedia devices, various connectors, and can be installed in virtually any application. In addition, its user-friendly interface makes it a great host for information appliances. Four serial ports and two Gigabit Ethernet ports give the PPC-177T advanced networking capabilities, and provide a great solution for versatile applications.

### Specifications

Processor System	CPU	Supports Socket 478 based Core 2 Duo up to 2.16 GHz	
	CPU FSB	533/667 MHz	
	Chipset	945GME + ICH7M	
	Disk Drive Housing	Room for 1 x 2.5" SATA HDD	
	Dimensions (W x H x D)	442 x 362 x 111.5mm (17.4" x 14.25" x 4.39")	
	Weight	7.6KG (16.74lb)	
	Front Panel Protection	IP65/NEMA 4 compliant	
	HDD	SATA HDD interface (2.5" HDD bay)	
	DVD+/-RW Drive	Optional SATA 8X or above DVD+/-RW Drive	
	Combo Drive	Optional SATA DVD/CD-RW 8D/24W/24E/24R or above	
Memory	Supports up to 4 GB of 667 MHz DDR2 SODIMM system memory (socket x 2)		
Network (LAN)	2 x Gigabit Ethernet ports, Wake on LAN, boot from LAN and LAN teaming supported		
I/O Ports		- 4 x COM ports: 3 x RS-232, 1 x RS-232/422/485	
		- 4 x USB 2.0 ports	
		- 1 x PS/2 mouse and keyboard interface	
		- MIC in / Line in / Line out port, 1 W speakers	
		- 2 x Gigabit Ethernet ports	
		- 1 x D-SUB VGA port	
Bus Expansion		One PCI-e Expansion Slot (PCI is available as option)	
Environmental Specifications	Operating Temperature	0 ~ 50° C (32 ~ 122° F)	
	Relative Humidity	10 ~ 95% @ 40° C non-condensing	
	Shock	10 G peak acceleration (11 msec. duration)	
	EMC	BSMI, CE, FCC Class B, CCC	
	Safety	CB, CE, UL	
Power Supply	AC Model	Output Rating	150 W (max.)
		Input Voltage	100 ~ 240 V <sub>AC</sub> , 50 ~ 60 Hz, 2 ~ 4 A
		Output Voltage	+3.3 V @ 4.5 A, +5 V @ 8.5 A, +12 V @ 7.0 A, +5 V <sub>sb</sub> @ 1.5 A, -12 V @ 0.3 A
LCD Display	Display Type	Color TFT LCD	
	Size (Diagonal)	17"	
	Max. Resolution	1280 x 1024	
	Max. Colors or Grayscales	16.7M	
	Pixel Pitch (mm)	0.264 x 0.264	
	Luminance (cd/m <sup>2</sup> )	300	
	Contrast Ratio	800:1	
	Viewing Angle	80° (left), 80° (right), 80° (up), 80° (down)	
	Operating Temperature	0 ~ +50° C	
LCD MTBF	50,000 hrs		

## Dimensions

Unit: mm



## Ordering Information

Part No.	Description
PPC-177T-BAREE	17" Core 2 Duo Based Panel PC without T/S function
PPC-177T-BARE-TE	17" Core 2 Duo Based Panel PC with T/S function
PPC-155T STAND	Stand kit for PPC-154/155/175/177 series
PPC-ARM-A03	PPC ARM VESA Standard
PPC-174 WL-MT	Wall mount kit for PPC series
PPC-175 RACK-MT	Rack mount kit for PPC-175/177 series
1702002605	Power cord 90D 220V EUROPEAN 250V/6A, 1.8M
1702002600	Power cord UL/CSA (USA) 180D 125V/10A 1.83M
989K017700E	Optical disc drive kit for PPC-177T (W/O ODD)
989K017701E	COMBO (SATA) module for PPC-177T
989K017702E	DVD-RW (SATA) module for PPC-177T
989K070600E	PCI riser card for PPC-177T

## Feature Details

### Protection

To meet the requirements of a public environment, the front panel PPC-177T complies with the IP65/NEMA 4 protection standard. Furthermore, the watchdog timer and power management features make the system secure and stable. The onboard hardware monitoring feature provides an automatic protection function, which prevents the CPU from becoming overheated.

### Expansion

To extend functionality, the PPC-177T is designed with one PCI-e expansion Slot (PCI is available as option) and Four USB 2.0 (Universal Serial Bus) ports. With these expansion capabilities, the PPC-177T not only functions as an HMI, but also as a computing center on which to build your applications.

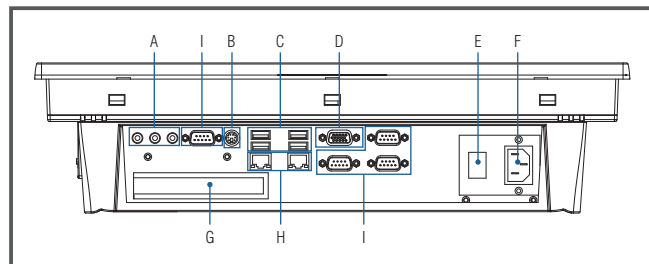
### Easy Maintenance

Maintaining and replacing the LCD and touchscreen are made easier through the PPC-177T modular design. In order to replace a defective LCD or touchscreen, one merely needs to remove the front cover and LCD bracket instead of disassembling the whole system.

### Touchscreen Options

Customers can choose from three optional types of standardized touchscreens: resistive, capacitive, SAW (Surface Acoustic Wave). Flexible options for the PPC-177T offer a more user-friendly interface for diverse environments.

## Fully-Integrated I/O



A: Line in/Line out/Mic in  
 B: PS2 Mouse&Keyboard  
 C: USB 2.0 x 4  
 D: VGA Port  
 E: Power Switch

F: AC Inlet  
 G: PCI Slot x 1  
 H: 10/100/1000 Base-T Ethernet x 2  
 I: RS-232 x 3, RS-232/422/485 x 1