

CTMBT4018F-4512



APPLICATIONS

- Cellular Phones
- Pagers
- Communication Equipment
- Household Appliances
- Security and Electronic Devices

FEATURES

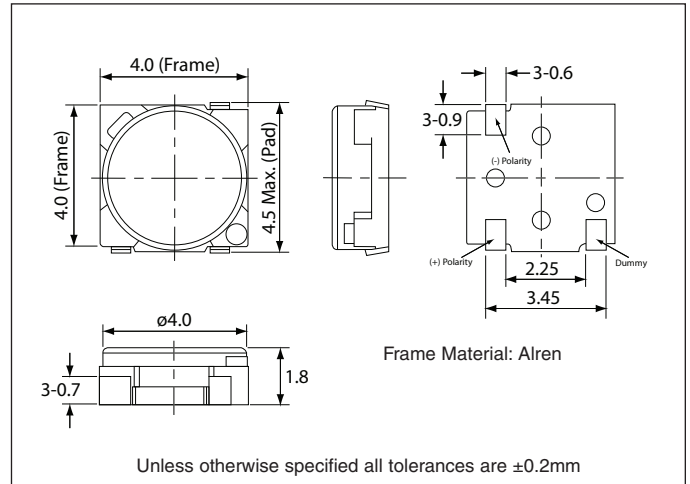
- Small and slim size
- Designed for reflow process
- Tape and reel packaging for auto mounting

ELECTRICAL CHARACTERISTICS

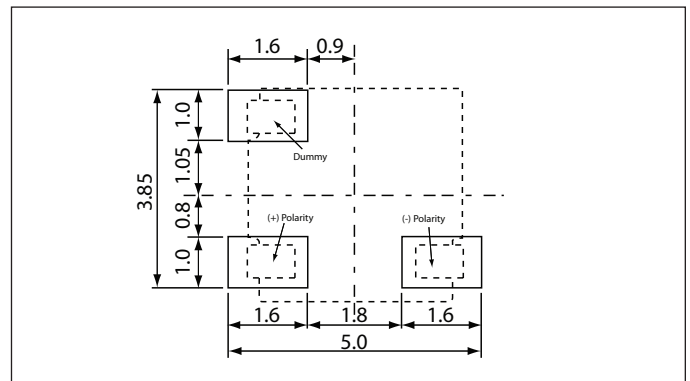
| Specifications | | Conditions |
|--------------------------------|----------------------------|--|
| Rated Voltage | 3.3V _{o-p} | |
| Operating Voltage | 2.0V ~ 4.0V _{o-p} | |
| Rated Current | 100mA Max. | |
| Coil Resittance | 12Ω ±3 | |
| Sound Pressure Level (at 10cm) | 78dBA Min. | f=4.5kHz, V _{p-p} =3.3V _{dc} 1/2 Duty Square Wave |
| Resonant Frequency | 4.5kHz | |
| Operating Temperature | -30°C to +70°C | |
| Storage Temperature | -40°C to +85°C | |

Note: All data at 25°C, Humidity 40%~80% unless otherwise specified.

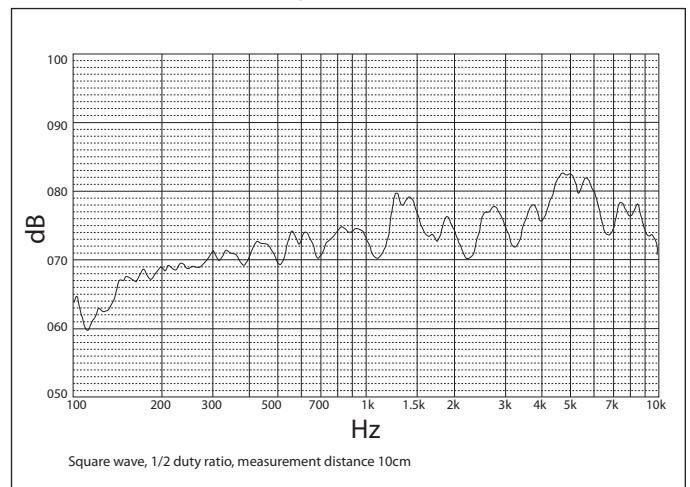
Physical Dimensions (mm)



Recommended PCB Layout (mm)



Frequency Response Curve



08.12.09