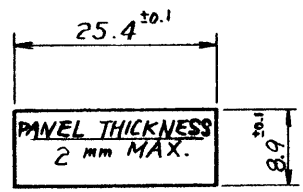
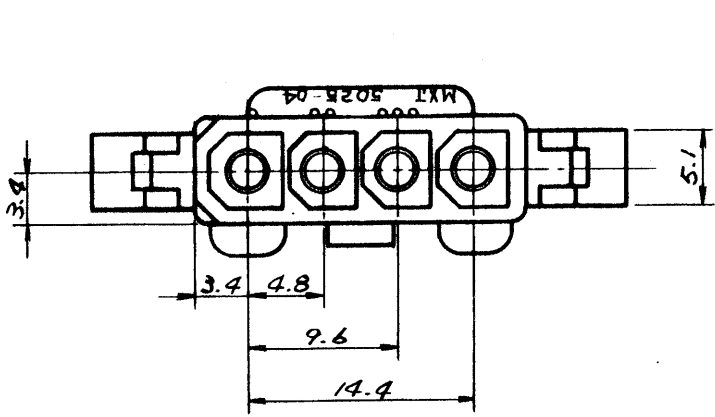
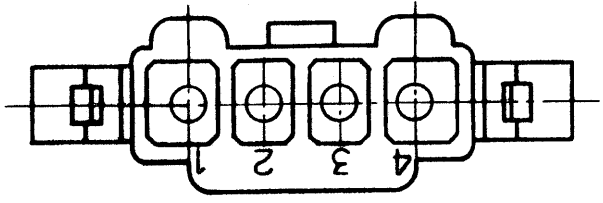
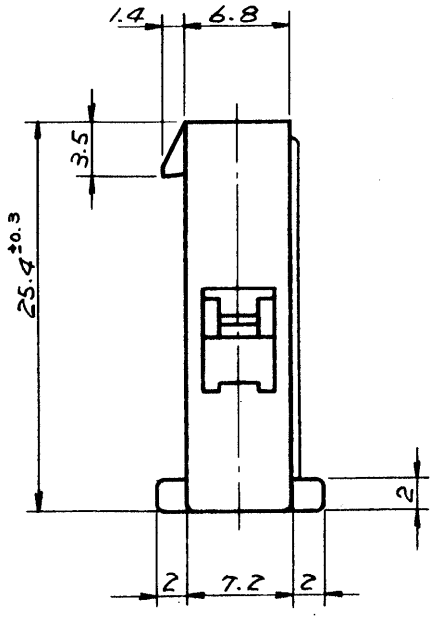
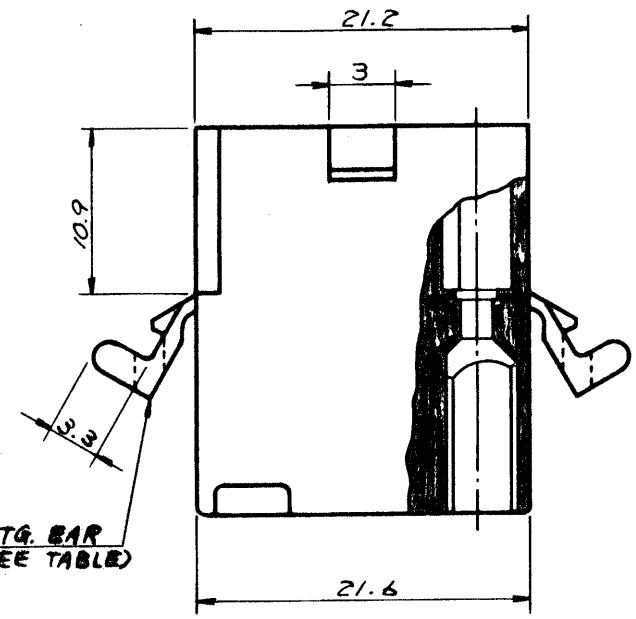


F
E
D
C
B
A



MOUNTING HOLE DETAIL (SCALE 1:1)

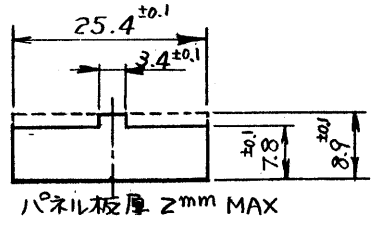
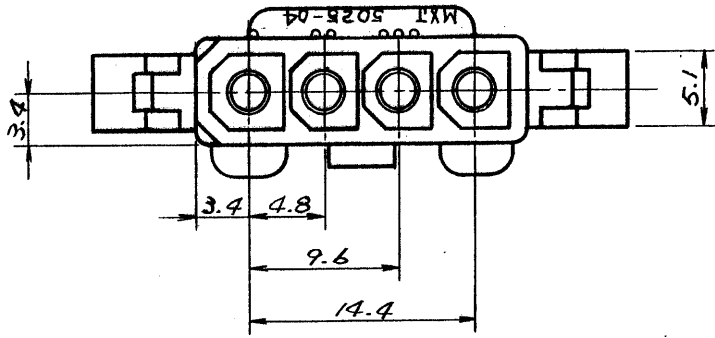


| GENERAL TOLERANCES | |
|--------------------|-------|
| 10 UNDER | ±0.2 |
| 10 OVER 30 UNDER | ±0.25 |
| 30 OVER | ±0.3 |
| ANGLE | ±3° |

| | | |
|---------|-----------|----------|
| | 5025-04P1 | NO |
| | 5025-04P | YES |
| EDP NO. | ENG. NO. | MTG. EAR |

| | | | | | |
|-----------|-------------------------|-----------------|--|--------------------------------------|----------------------------------|
| | | | 公差 (Tolerances) .000 → ±0.005 .00 → ±0.05 .0 → ±0.1 . → ±0.3 | 所要数 (Req) * | DRWG. <i>Y. Awano 9/27/77</i> |
| | | | 材料 (MAT'L) NYLON66, 94V-2 | | DSN'D <i>M. EANO/MTD 9/21/77</i> |
| D | ADDED -04P1 ECN NO. 917 | <i>9/27/77</i> | 熱処理 (H.T.) HRc — # — | MOLEX-JAPAN CO., LTD. 日本モレックス株式会社 | CHK'D <i>ca. Shio</i> |
| C | REMOVED "X" ECN NO. 748 | <i>7/21/77</i> | 仕上げ (Finish) — # — | | APP'D |
| B | リブ、パネリスロット、サキット NO. | <i>12/1/77</i> | Scale 2/1 | | No. SD-5025-04P* |
| A | REVISED | <i>10/28/77</i> | 名称 (Name) MINI. FIT CONN. 4POS. PLUG HSG. | | |
| O | PROPOSED | <i>9/27/77</i> | | | |
| 記号 LTR | 変更内容 (Rev.) | Date | Name | | |

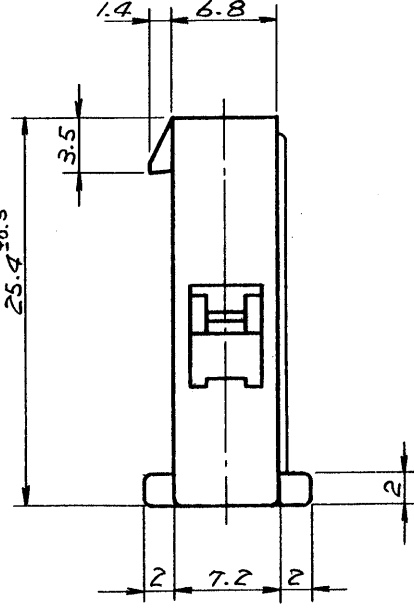
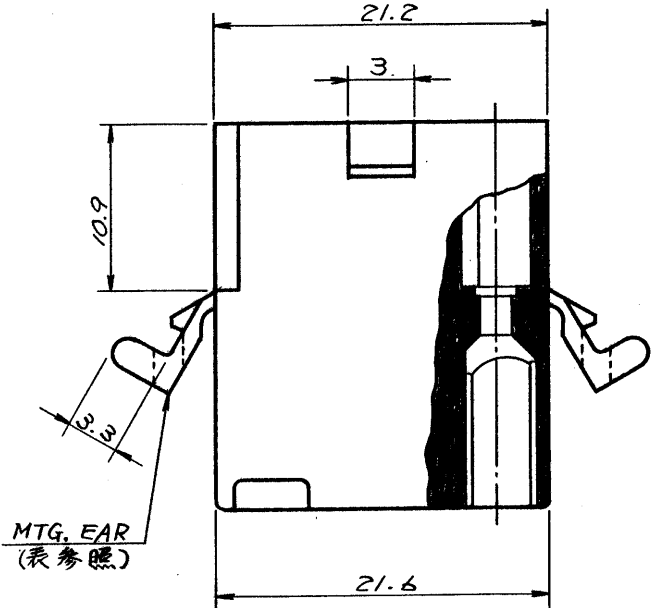
F



パネルスロット寸法
(SCALE 1:1)

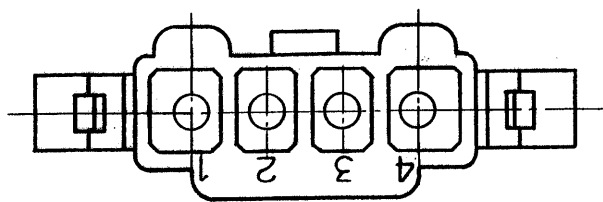
E

D



C

B



A

| 一般公差 | |
|----------|-------|
| 10未満 | ±0.2 |
| 10以上30未満 | ±0.25 |
| 30以上 | ±0.3 |
| 角度 | ±3° |

| 15-31-1043 | 5025-04P1 | 無 |
|------------|-----------|----------|
| 15-31-1041 | 5025-04P | 有 |
| EDP NO. | ENG. NO. | MTG. EAR |

| | | | | | | |
|----------------------------|-------------|------|------|--------------------------------------|-------------------------------|--|
| 公差 (Tolerances) | | | | 所要数 (Req) | DRWG. <i>Y. Awano</i> 9/27/77 | |
| .000 → ±0.005, .00 → ±0.05 | | | | | DSN'D <i>M. ENDO</i> 10/21/77 | |
| .0 → ±0.1, . → ±0.3 | | | | | CHK'D <i>U. Shiroi</i> | |
| 材料 (MAT'L) | | | | | APP'D <i>W. M. S.</i> | |
| NYLON66, 94V-2 | | | | MOLEX-JAPAN CO., LTD. 日本モレックス株式会社 | No. SD-5025-04P* E | |
| 熱処理 (H.T.) | | | | | | |
| HRc — | | | | | | |
| 仕上げ (Finish) | | | | REV. | | |
| — | | | | Scale 2/1 | | |
| 名称 (Name) | | | | MINI. FIT CONN. 4POS. PLUG HSG. | | |
| 記号 (LTR) | 変更内容 (Rev.) | Date | Name | | | |

| | | | | |
|---|----------|-------------------|----------|------|
| E | REVISED | ECN NO. 1499 | 11/30/79 | K.H. |
| D | ADDED | -04P1 ECN NO. 917 | 9/5/78 | |
| C | REMOVED | "X" ECN NO. 748 | 3/8/78 | |
| B | リ丁 | パネルスロット、サキト NO. | 12/9/77 | |
| A | REVISED | | 10/28/77 | |
| O | PROPOSED | | 9/27/77 | |