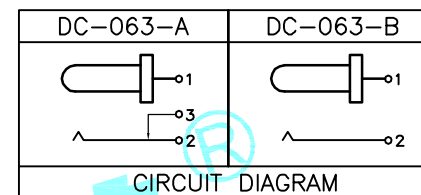
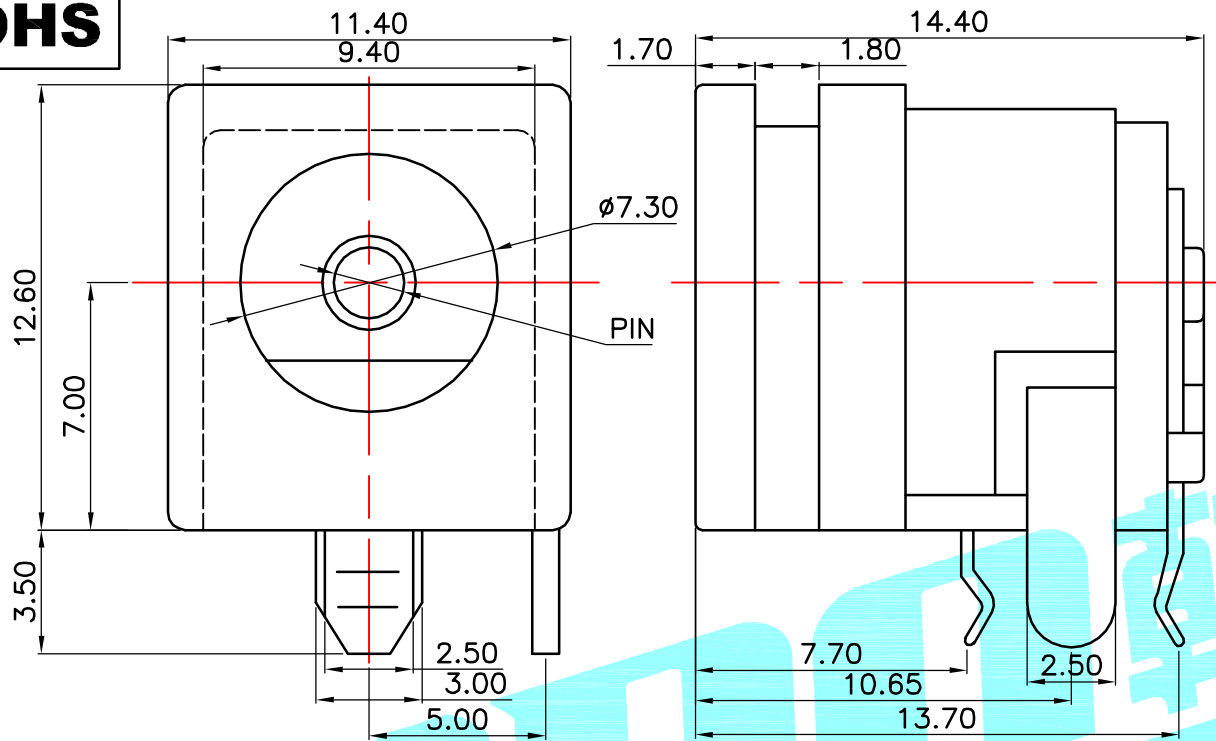
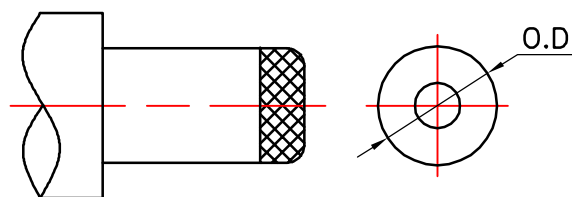
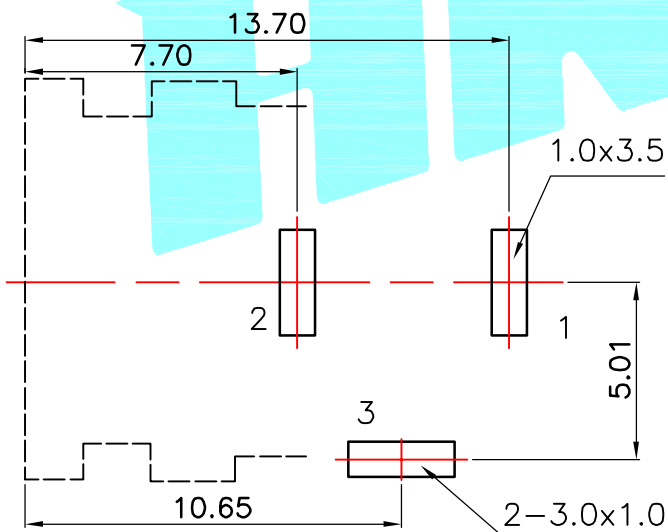


**ROHS**



Model No.	1	2	3
PIN	$\phi 2.0$	$\phi 2.5$	$\phi 3.0$
DC PLUG O.D.	$\phi 5.5$	$\phi 5.5$	$\phi 6.55$

P.C.B LAYOUT(copper-sided view)



DC MATE PLUG

Rating:0.5A 30V DC  
 Contact Resistance:100 m $\Omega$  Max.  
 Operating temperature:-20 $^{\circ}$ C~70 $^{\circ}$ C  
 Operating force:3-20N  
 Operating Life:5,000cycles

②	Terminal	3	Phosphor bronze	Au Plating			
①	Housing	1	Nylon	Black			
ITEM	PART NAME	TER'NO.	QTY.	MATERIAL	FINISHING	REMARK	
APPROVALS			DATE	 ELECTRONICS CO.,LTD			
DRAWN	J.X.Zhang	2013/11/11					
CHECKED							
APPROVALS				TITLE:	PHONE JACKES		
				PART NO.	DC-063		
TOLERANCES ARE		30~以下	$\pm 0.30$	ANGLE	UNIT: mm	SCALE: 1:1	PROJ:
		10~30	$\pm 0.20$		DRAWING NO.		SHEET 1 OF 1
		5~10	$\pm 0.15$	$\pm 2'$			
		~ 5	$\pm 0.10$				

ECN NO.	REV.	DATE.	DESCRIPTION.	CHANGE.	CHECK.	APPRO.
	A		NEW			