

PLEASE CHECK WWW.MOLEX.COM FOR LATEST PART INFORMATION

Part Number: [0194290010](#)
Status: **Active**
Overview: mx150l sealed connector system
Description: MX150L™ 6 Circuit Panel Mount Plug for 14 to 22 AWG Wire, Rear Mount Flange Assembly, without Gasket

Documents:

[3D Model](#) [Product Specification PS-19417-001 \(PDF\)](#)
[Drawing \(PDF\)](#) [RoHS Certificate of Compliance \(PDF\)](#)

Agency Certification

CSA LR18689
 UL E152602

General

Product Family Crimp Housings
 Series [19429](#)
 Comments For Inside Panel Mount Application
 Overview mx150l sealed connector system
 Product Literature Order No 987650-2181
 Product Name MX150L™

Physical

Circuits (maximum) 6
 Flammability 94V-0
 Gender Male
 Glow-Wire Compliant No
 Lock to Mating Part Yes
 Number of Rows 2
 Packaging Type Bag
 Panel Mount Yes
 Pitch - Mating Interface (in) 0.230 In
 Pitch - Mating Interface (mm) 5.84 mm
 Polarized to Mating Part Yes
 Stackable No
 Temperature Range - Operating -40°C to +125°C

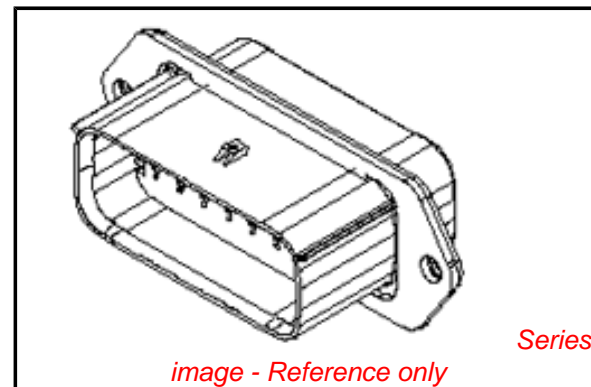
Electrical

Current - Maximum per Contact 18A

Material Info

Reference - Drawing Numbers

Packaging Specification PK-19429-001
 Product Specification PS-19417-001
 Sales Drawing SD-19429-003



EU RoHS

ELV and RoHS Compliant
REACH SVHC
 Not Reviewed
Halogen-Free Status
Not Reviewed

China RoHS



Need more information on product environmental compliance?

Email productcompliance@molex.com
 For a multiple part number RoHS Certificate of Compliance, [click here](#)

Please visit the [Contact Us](#) section for any non-product compliance questions.

Search Parts in this Series

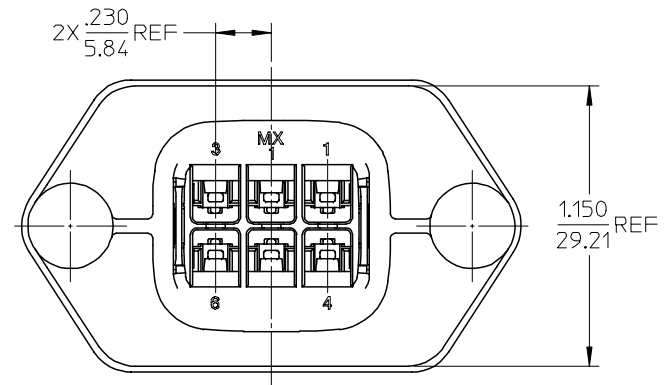
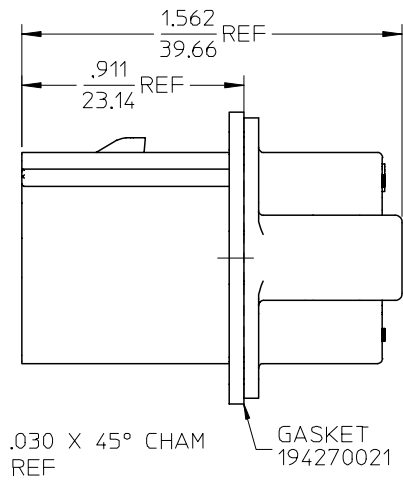
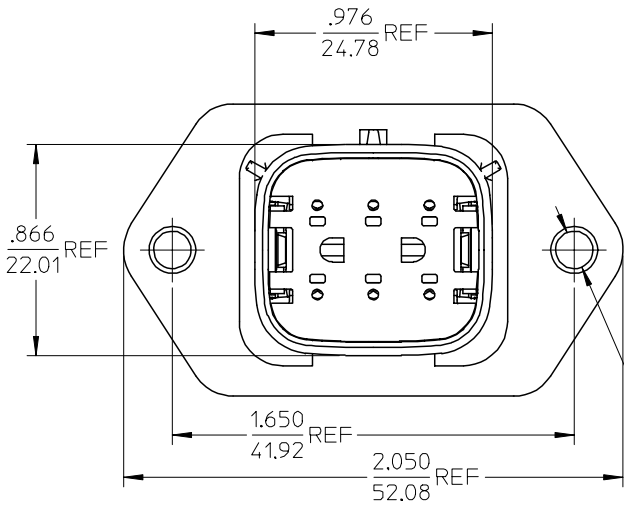
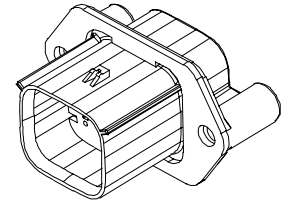
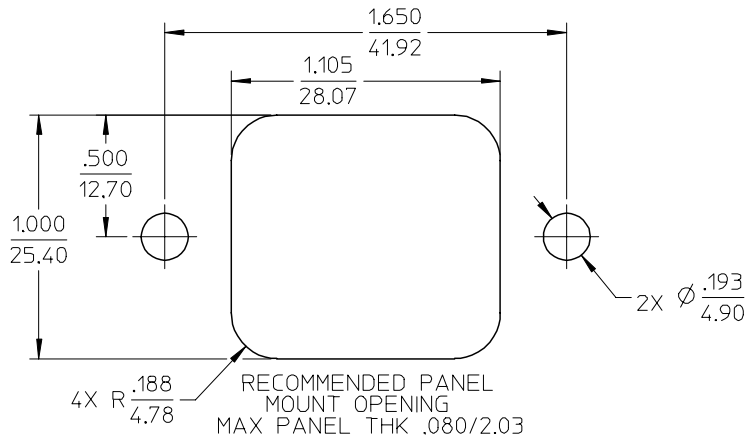
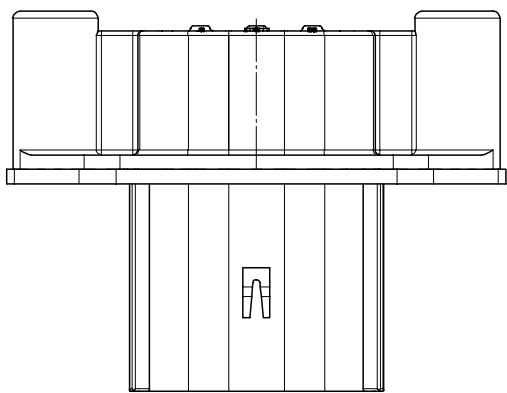
[19429Series](#)

Mates With

[19418 Receptacle Assemblies](#)

Use With

[19417 Male Crimp Terminals](#)



194290036	YES
194290010	NO
MATERIAL NUMBER	GASKET

(A)

- NOTES:
1. ASSEMBLY BULK PACKAGED PER PK-19429-001.
 2. USE CONNECTOR WITH MALE CRIMP TERMINAL: SERIES 19417.
 3. RECOMMENDED MOUNTING HARDWARE: (2) #10 X .62/18.9 LONG PLASTIC THREAD CUTTING SCREWS. SUGGESTED SOURCE: ITW SHAKEPROOF INDUSTRIAL BOSSCREW OR EQUIVALENT. RECOMMENDED TORQUE: 15-17 IN-LBS.

EC NO: ETC2005-0118 DRWN:BRUPERT 2005/01/20 CHKD:JPWLICK 2005/01/20 APPR:RDEROSS 2005/01/20	QUALITY SYMBOLS ▽ = 0 ◁ = 0	GENERAL TOLERANCES (UNLESS SPECIFIED)		SCALE 2:1	DESIGN UNITS INCH	THIRD ANGLE PROJECTION	REVISE ON CAD ONLY	
		4 PLACES ± --- ± ---	3 PLACES ± --- ± .015	DIMENSION STYLE IN/MM		TITLE 6 WAY PLUG PANEL MOUNT ASSEMBLY 22-14 AWG		
		2 PLACES ± 0.38 ± ---	1 PLACE ± --- ± ---	DRAWN BY DMYRICK	DATE 03/11/10	MOLEX INCORPORATED		
		ANGULAR ± 1 °		CHECKED BY JPAWLICK	DATE 03/11/10	MATERIAL NO. SEE CHART	DOCUMENT NO. SD-19429-003	SHEET NO. 1 OF 1
A	REV	DRAFT WHERE APPLICABLE MUST REMAIN WITHIN DIMENSIONS		THIS DRAWING CONTAINS INFORMATION THAT IS PROPRIETARY TO MOLEX INCORPORATED AND SHOULD NOT BE USED WITHOUT WRITTEN PERMISSION				