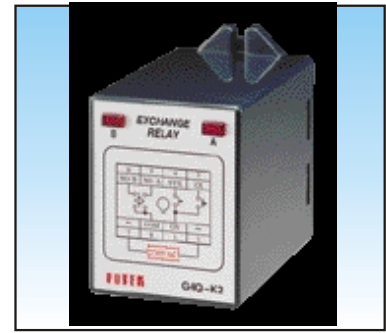


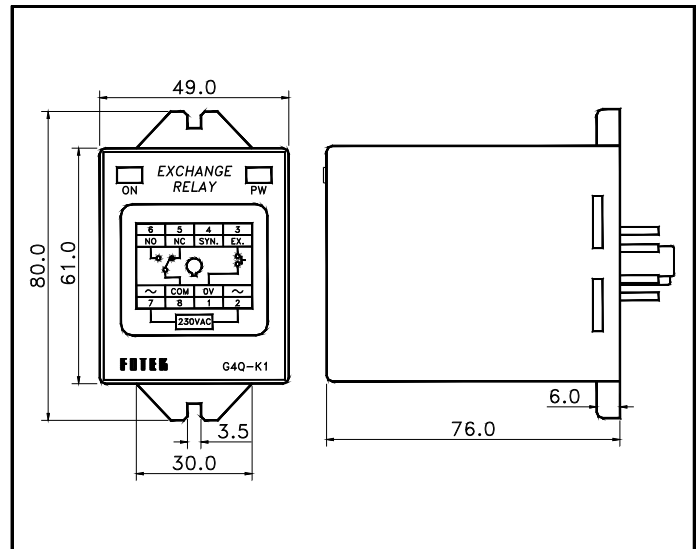
- ☆ G4Q-K1, One Relay NO/NC Exchange by Ex. Input.
- ☆ G4Q-K2, Two Relay NO Exchange by Ex. Input.



Specification

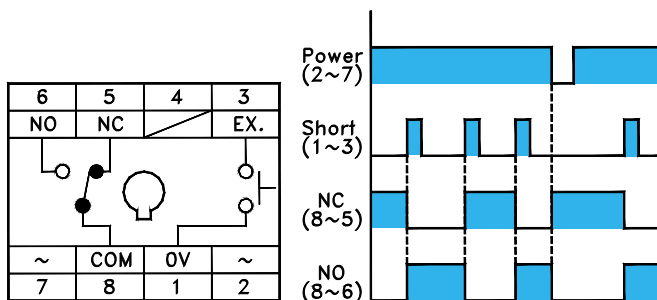
Model	G4Q-K1	G4Q-K2
Output Method	One Relay	Two Relay
Control Status	1a / 1b	2a
Power Supply	110V or 230V or 380V AC	
Frequency	50 ~ 60 Hz	
Wattage	3VA Max.	
Contact Rated	10A	
Switching Times	3600 Times / Hr	
Reset Time	0.1S Max.	
Dielectric Strength	2.5KV / 1 min.	
Insulation Strength	100MΩ / 500 VDC	
Life	20 X 10 ⁶ Times	
Circumstance	-20° ~ +60°C ; 35~85% RH	
Weight	175g	185g

Dimension



Connection Diagram

G4Q-K1



G4Q-K2

