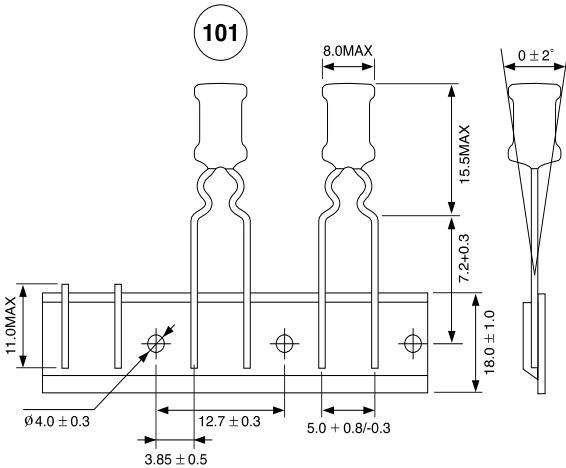


LPL0813 SERIES

Leaded type

SHAPES & DIMENSIONS

(Dimensions in mm)



TEST EQUIPMENTS

- Inductance: Agilent 4284A LCR Meter (1KHz 1V)
- Rdc: HIOKI 3540 mΩ HiTESTER
- Bias Current: Agilent 4284A + Agilent 42841A
- Inductance drop = 10% typ. at rated current

ELECTRICAL CHARACTERISTICS

Ordering Code	Inductance (μH)	Inductance TOL.(%)	Test Freq. (KHz)	DC Resistance (Ω)Max	Rated Current(A)
LPL0813□-4R7M	4.7	± 20%	1	0.05	4.00
LPL0813□-100K	10	± 10		0.09	2.50
LPL0813□-150K	15			0.06	2.10
LPL0813□-220K	22			0.09	1.80
LPL0813□-330K	33			0.11	1.40
LPL0813□-470K	47			0.16	1.10
LPL0813□-680K	68			0.25	0.93
LPL0813□-101K	100	± 10		0.28	0.86
LPL0813□-151K	150			0.49	0.70
LPL0813□-221K	220			0.83	0.53
LPL0813□-331K	330			0.95	0.43
LPL0813□-471K	470			1.39	0.38
LPL0813□-681K	680		1.95	0.32	
LPL0813□-102K	1000		3.30	0.26	
LPL0813□-393K	39000		126.00	0.04	

*□ Packing style -T: Taping -B: Bulk

OPERATING TEMPERATURE RANGE

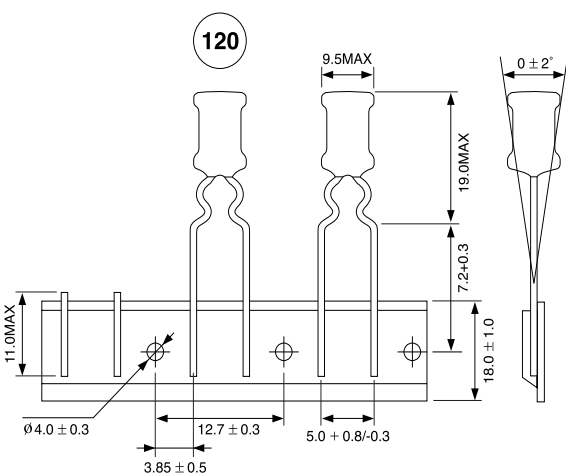
-20 ~ +85°C (Including self-generated heat)

LPL0919 SERIES

Leaded type

SHAPES & DIMENSIONS

(Dimensions in mm)



TEST EQUIPMENTS

- Inductance: Agilent 4284A LCR Meter (1KHz 1V)
- Rdc: HIOKI 3540 mΩ HiTESTER
- Bias Current: Agilent 4284A + Agilent 42841A
- Inductance drop = 10% typ. at rated current

ELECTRICAL CHARACTERISTICS

Ordering Code	Inductance (μH)	Inductance TOL.(%)	Test Freq. (KHz)	DC Resistance (Ω)Max	Rated Current(A)
LPL0919□-150K	15	± 10	1	0.03	2.30
LPL0919□-220K	22			0.04	1.80
LPL0919□-101K	100			0.16	0.82
LPL0919□-221K	220			0.31	0.65
LPL0919□-472K	4700			7.14	0.13
LPL0919□-103K	10000			14.40	0.09
LPL0919□-104K	100000			156.00	0.03

*□ Packing style -T: Taping -B: Bulk

OPERATING TEMPERATURE RANGE

-20 ~ +85°C (Including self-generated heat)