



5 V V23806-S84-Z3

3.3 V V23806-S84-Z4

Testboard for ATM, ESCON, Fibre Channel and Gigabit Ethernet 1x9 Transceivers

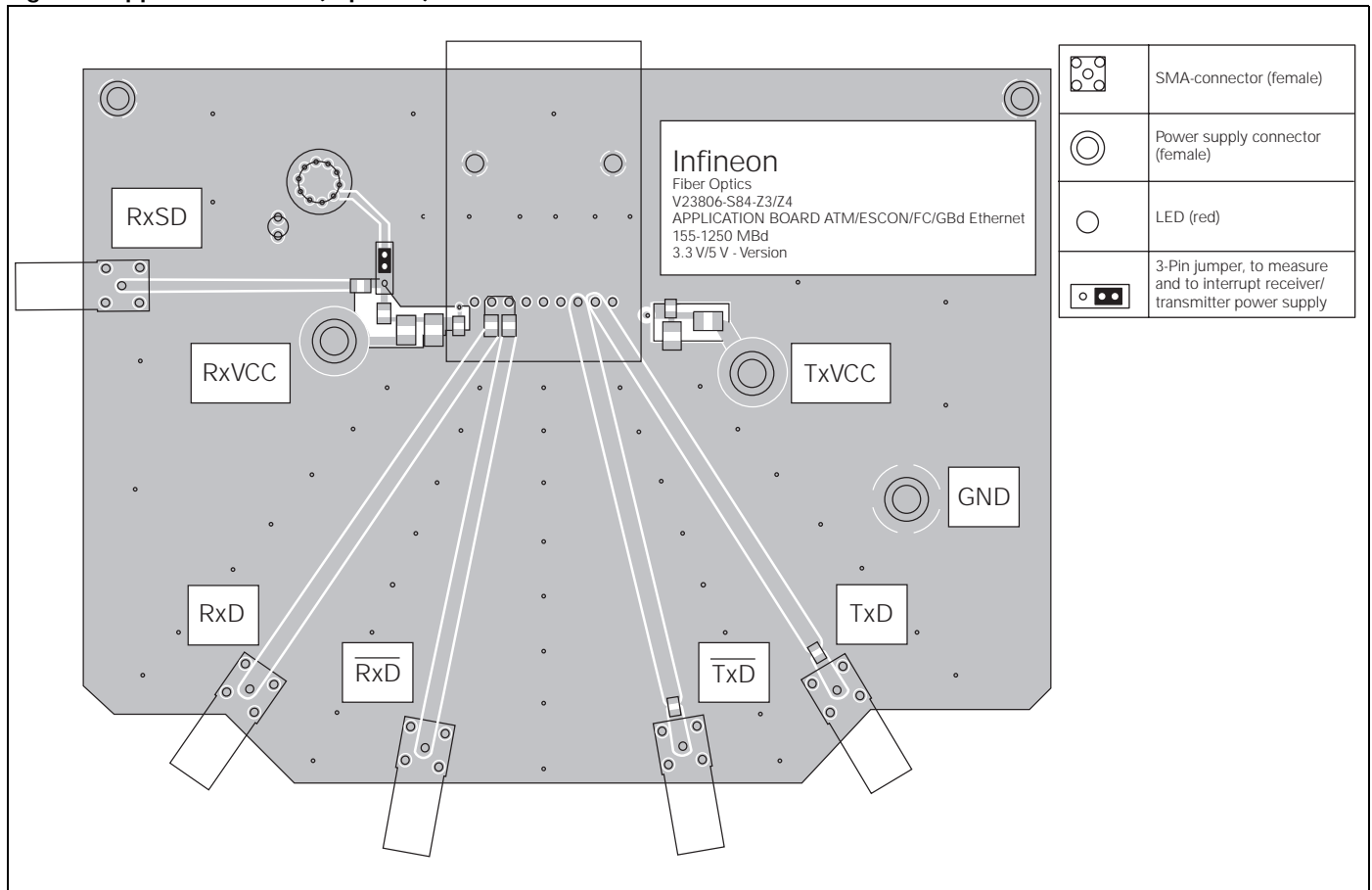
FEATURES

- Allows for separate powering of receiver and transmitter section
- Power supply lines filtered externally to module under test
- Signal Detect level displayed by LED
- Power supply can be interrupted separately for receiver and transmitter
- External Data and Signal Detect interfaces are made through high performance SMA connectors
- Receiver data outputs are DC coupled. Output voltage can be directly measured at SMA connectors

DESCRIPTION

This testboard is a functional test fixture intended for use with the 1x9 pin row single mode 155MBd or 622MBd ATM transceiver, ESCON, Fibre Channel and Gigabit Ethernet transceivers. It provides a test medium for characterizing the performance of these transceivers.

Figure 1. Application board (Top view)



Connectors/Test Pins

Label	Type	Name	Level	Description
SD ⁽¹⁾	SMA	Signal Detect Output	PECL Output	To measure use 50 Ω load to V _{EE}
RxD	SMA	Receiver Data Output	PECL Output	Load is 50 Ω to V _{EE} (GND), DC coupled or AC coupled, depending on board assembly (see page 4)
RxDn	SMA	Receiver Data Not Output	PECL Output	
TxD	SMA	Transmitter Data Input	PECL Input	Load is 50 Ω to V _{EE} (GND), AC coupled (see page 4)
TxDn	SMA	Transmitter Data Not Input	PECL Input	
V _{CC}		Power Supply	In accordance with recommended operating conditions of transceiver (3.3V / 5V)	
V _{EE}		Ground		

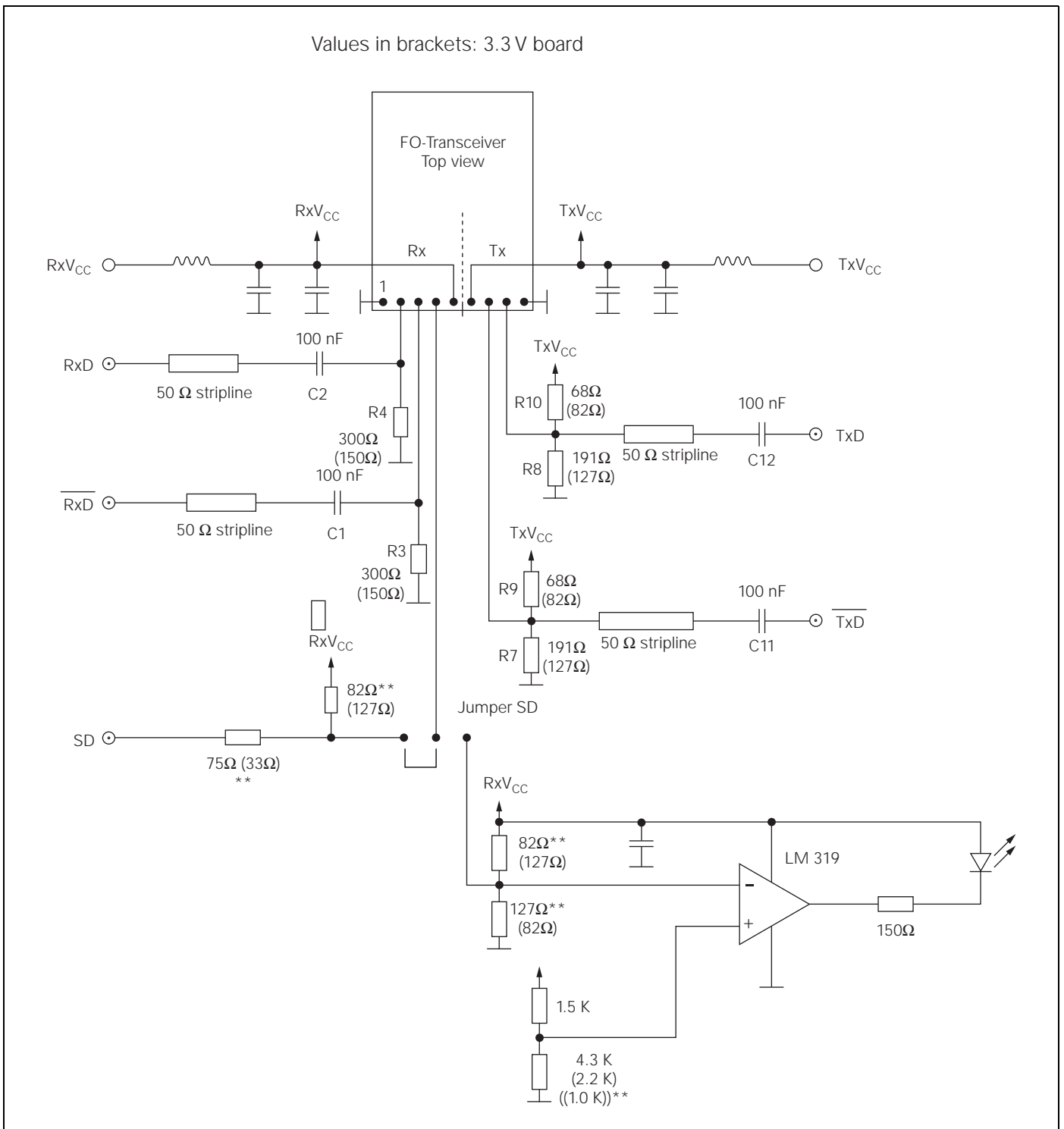
Notes

1. Some transceiver versions have TTL-SD-output. For this type no load is required.

Indicators/Switches

Label	Type	Name	Level	Description
SD	LED	Signal Detect Indicator	active high	LED off: SD off LED on: SD on
JMP	Jumper	Signal Detect		connects signal detect to either SMA connector or OPAMP (LED)

Figure 2. Schematic of Application board (initial assembly)*



* Suitable for DC/DC Transceiver only. For AC/AC and AC/DC please see page 4.

** Remove when TTL-SD; change resistor to value in double brackets.

Variation of Testboard for different type of electrical transceiver interfaces.

Values in brackets refer to 3.3 V operation. Part numbers of passive components refer to Fig. 9 to 12 (Assembly plan).

Figure 3. DC-type receiver (V23826-XXX-C(3)6X, V23806-A84-XXX, V23809-E11-C10) - AC-coupled to test (initial assembly)

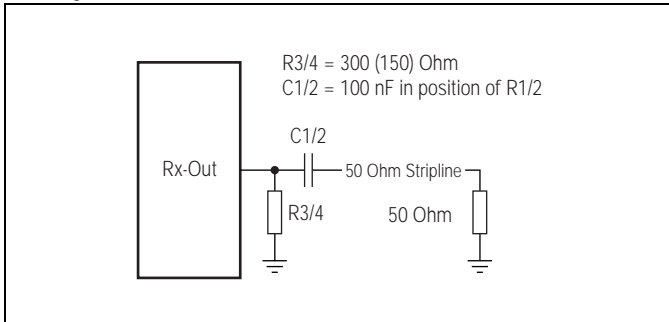


Figure 4. DC type receiver (V23826-XXX-C(3)6X, V23806-A84-XXX, V23809-E11-C10) - DC-coupled to test system

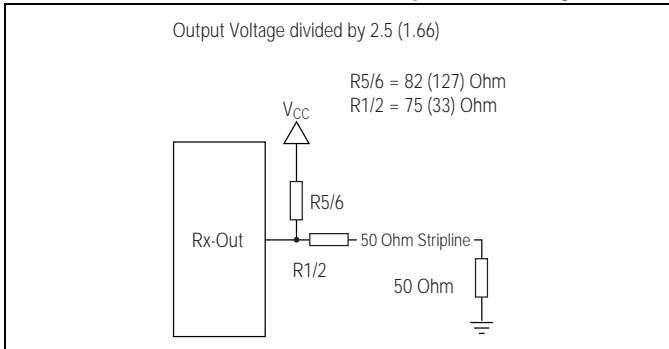


Figure 5. AC-type receiver V23826-XXX-C(3)53

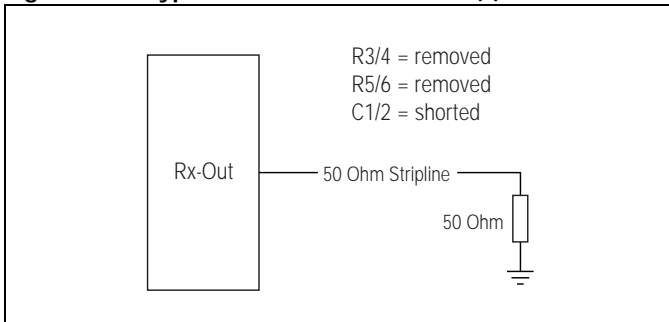


Figure 6. DC-type transmitter (V23826-XXX-C(3)6X, V23806-A84-XXX, V23809-E11-C10) - AC-coupled to test (initial assembly)(1)

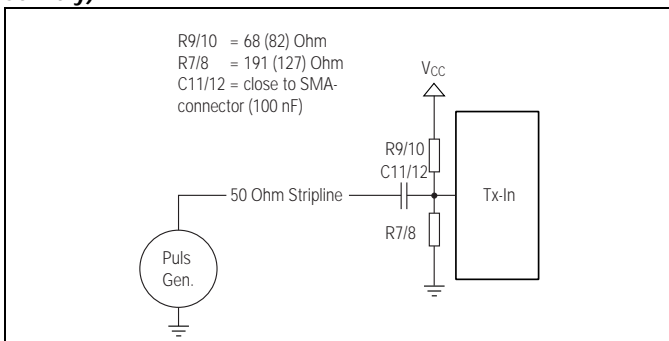


Figure 7. DC-transmitter (V23826-XXX-C(3)6X, V23806-A84-XXX, V23809-E11-C10) - DC-coupled to test(1)

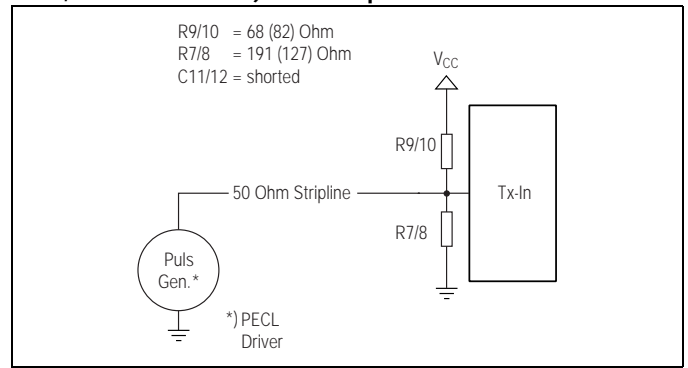
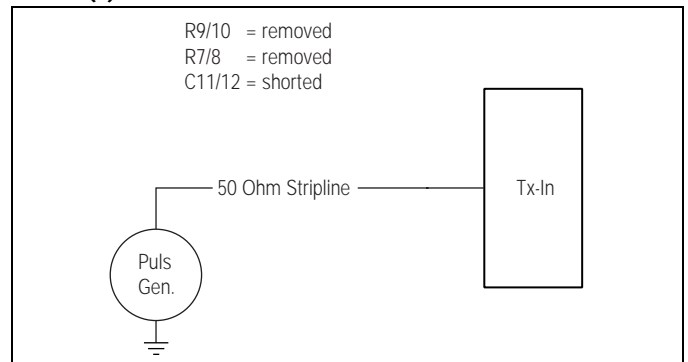


Figure 8. AC-type transmitter V23826-XXX-C(3)13, V23826-XXX-C(3)53(1)



Assembly Plan

Figure 9. Top side (Detail of Figure 11)

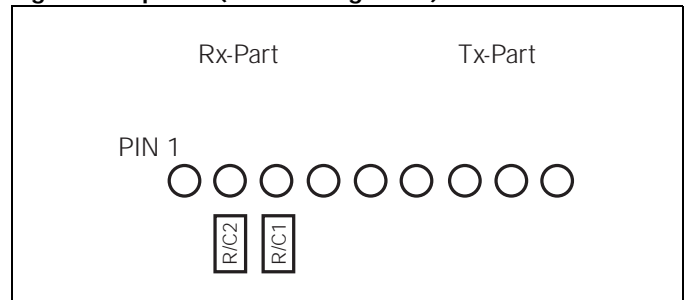
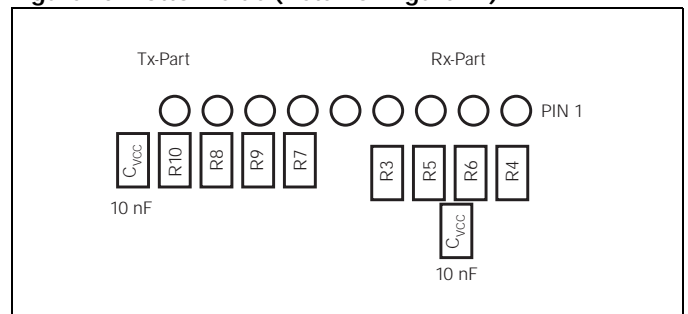


Figure 10. Bottom side (Detail of Figure 12)



Note:

1. It is recommended to drive the transmitter with differential signals.

Figure 11. Top side of application board

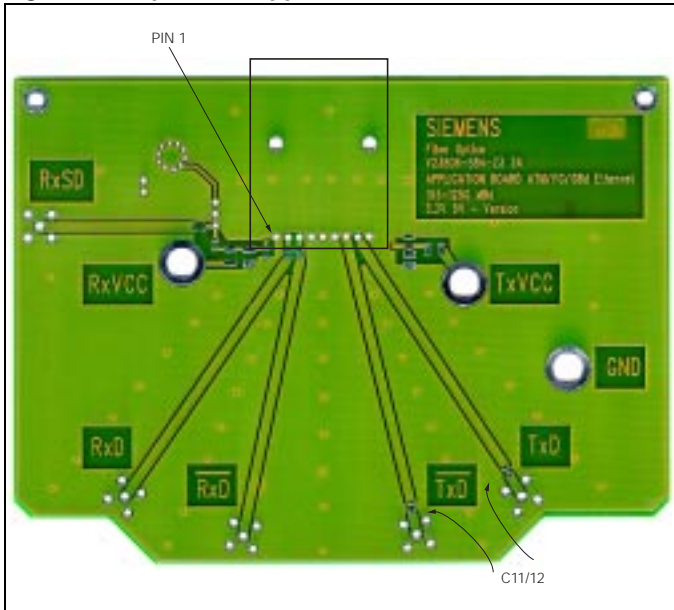
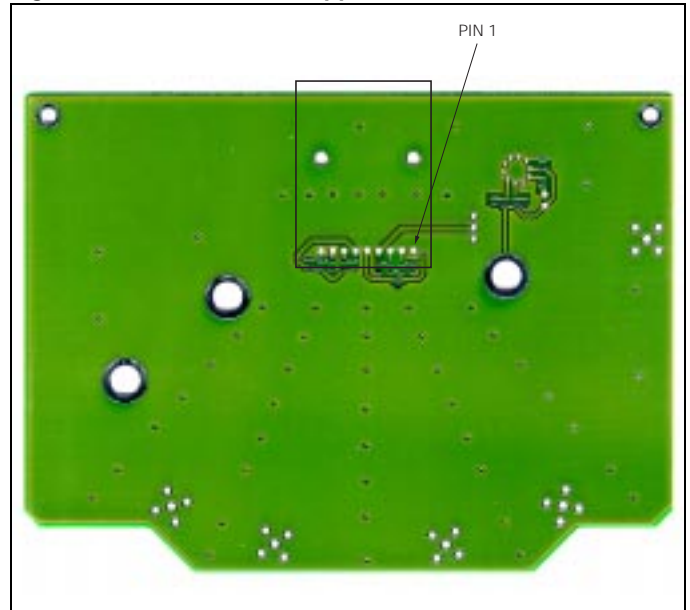


Figure 12. Bottom side of application board



Published by Infineon Technologies AG

© Infineon Technologies AG 1999
All Rights Reserved

Attention please!

The information herein is given to describe certain components and shall not be considered as warranted characteristics.
Terms of delivery and rights to technical change reserved.
We hereby disclaim any and all warranties, including but not limited to warranties of non-infringement, regarding circuits, descriptions and charts stated herein.
Infineon Technologies is an approved CECC manufacturer.

Information

For further information on technology, delivery terms and conditions and prices please contact the Infineon Technologies offices or our Infineon Technologies Representatives worldwide - see our webpage at www.infineon.com/fiberoptics

Warnings

Due to technical requirements components may contain dangerous substances. For information on the types in question please contact your Infineon Technologies offices.

Infineon Technologies Components may only be used in life-support devices or systems with the express written approval of Infineon Technologies, if a failure of such components can reasonably be expected to cause the failure of that life-support device or system, or to affect the safety or effectiveness of that device or system. Life support devices or systems are intended to be implanted in the human body, or to support and/or maintain and sustain and/or protect human life. If they fail, it is reasonable to assume that the health of the user or other persons may be endangered.