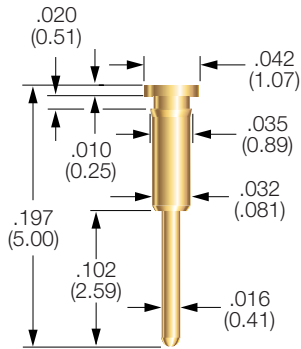


Target Contact

PI-5328



PIN SPECIFICATIONS

Mounting Hole: .034 (0.86)

MATERIALS

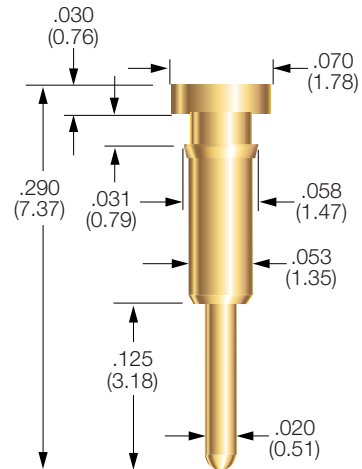
Material: Brass

Plating: Gold over nickel

HOW TO ORDER

PI-5328

PI-5329



PIN SPECIFICATIONS

Mounting Hole: .057 (1.45)

MATERIALS

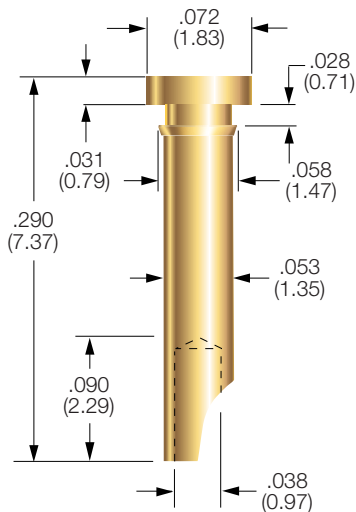
Material: Brass

Plating: Gold over nickel

HOW TO ORDER

PI-5329

PI-5327



PIN SPECIFICATIONS

Mounting Hole: .057 (1.45)

MATERIALS

Material: Brass

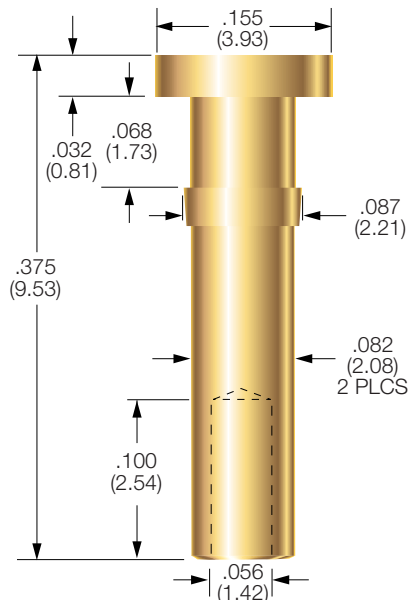
Plating: Gold over nickel

HOW TO ORDER

PI-5327

Specifications subject to change without notice. Dimensions in inches (millimeters)

PI-5330



PIN SPECIFICATIONS

Mounting Hole: .084 (2.15)

MATERIALS

Material: Brass

Plating: Gold over nickel

HOW TO ORDER

PI-5330