



NAV340-3232

NAV3xx

2D LASER SCANNERS

SICK
Sensor Intelligence.



Ordering information

Type	Part no.
NAV340-3232	1060821

Other models and accessories → www.sick.com/NAV3xx



Detailed technical data

Features

Version	Long Range
Field of application	Indoor
Light source	905 nm
Laser class	1, eye-safe
Aperture angle	360°
Scanning frequency	8 Hz, ± 5 %
Angular resolution	0.25°
Operating range	0.5 m ... 250 m (0.5 m ... 70 m on reflectors)
Max. range with 10 % reflectivity	35 m

Performance

Detectable object shape	Almost any
Systematic error	± 10 mm (RDI) ¹⁾ ± 15 mm (Contour) ¹⁾
Statistical error	15 mm (Contour) ¹⁾

¹⁾ Typical value; actual value depends on environmental conditions.

Interfaces

Serial (RS-232)	✓
Data transmission rate	19.2 kBaud ... 115 kBaud
Ethernet	✓
Data transmission rate	100 Mbit/s
Protocol	TCP/IP
Switching outputs	1 (digital)
Optical indicators	4 LEDs (status displays)

Mechanics/electronics

Electrical connection	3 x M12 male connector/female connector
------------------------------	---

Operating voltage	24 V DC, ± 15 %
Power consumption	36 W
Housing	Aluminum die cast
Housing color	Light blue (RAL 5012)
Enclosure rating	IP 65
Protection class	III
Weight	2.4 kg
Dimensions (L x W x H)	115 mm x 120.5 mm x 222 mm

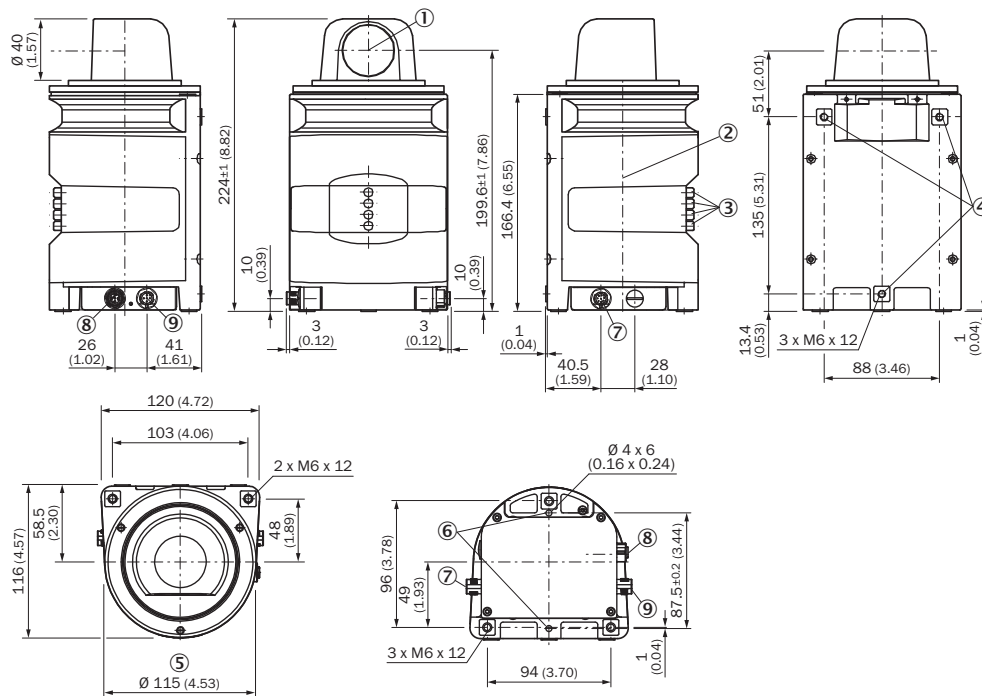
Ambient data

Ambient operating temperature	0 °C ... +50 °C
Storage temperature	-20 °C ... +80 °C
Permissible relative humidity	85 %, Non-condensing
Reflector marks (recommended)	Stripes: width ≥ 80 mm, cylindrical: diameter ≥ 80 mm

General notes

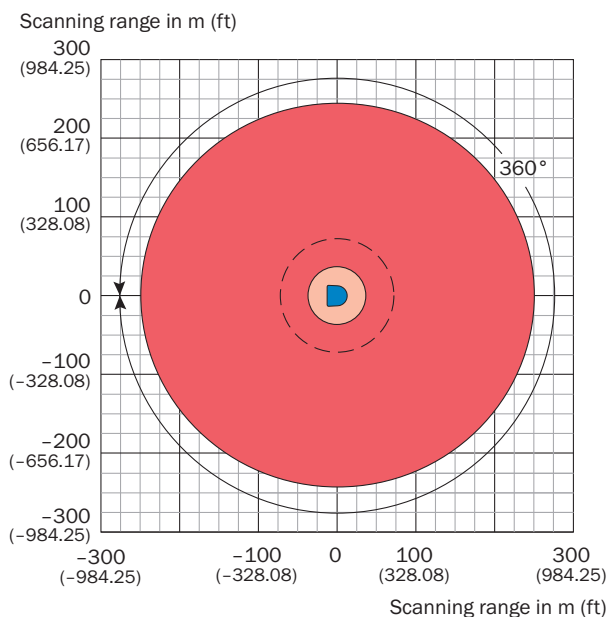
Note on use	Not suitable for personnel protection
--------------------	---------------------------------------

Dimensional drawing (Dimensions in mm (inch))



- ① Optical axis
- ② Zero level
- ③ LED (from top: yellow, yellow, green, red)
- ④ Mounting hole M6 x 12
- ⑤ Rotating diameter
- ⑥ Aligning pin
- ⑦ RS-232 connection (M12 x 8, male connector)
- ⑧ Ethernet connection (M12 x 4, female connector)
- ⑨ Power supply connection (M12 x 5, male connector)





Operating range diagram



- Scanning range max. 250 m (820.21 ft)
- Scanning range for objects up to 10 % remission 35 m (114.83 ft)
- Scanning range on reflector 70 m (229.66 ft)

Recommended accessories

Other models and accessories → www.sick.com/NAV3xx

	Brief description	Type	Part no.
Plug connectors and cables			
	Head A: male connector, M12, 5-pin, straight Head B: cable Cable: shielded, 5 m	Connecting cable (female connector - open)	6043440
	Head A: female connector, M12, 8-pin, straight, A-coded Head B: cable Cable: RS-232, RS-422, shielded, 5 m	Connecting cable (female connector - open)	6036153
	Head A: male connector, M12, 4-pin, straight, D-coded Head B: male connector, RJ45, 8-pin, straight Cable: Ethernet, drag chain use, PUR, shielded, 5 m	SSL-2J04-G05ME	6034415
Reflectors			
	Reflective tape "Diamond Grade", self-adhesive, sheet, 749 mm x 914 mm, self-adhesive	REF-DG	5320565
Test and monitoring tools			
	Scan finder, receiver to localize infrared scans	Scan-Finder LS-80A	6020756

SICK AT A GLANCE

SICK is one of the leading manufacturers of intelligent sensors and sensor solutions for industrial applications. A unique range of products and services creates the perfect basis for controlling processes securely and efficiently, protecting individuals from accidents and preventing damage to the environment.

We have extensive experience in a wide range of industries and understand their processes and requirements. With intelligent sensors, we can deliver exactly what our customers need. In application centers in Europe, Asia and North America, system solutions are tested and optimized in accordance with customer specifications. All this makes us a reliable supplier and development partner.

Comprehensive services complete our offering: SICK LifeTime Services provide support throughout the machine life cycle and ensure safety and productivity.

For us, that is “Sensor Intelligence.”

WORLDWIDE PRESENCE:

Contacts and other locations –www.sick.com