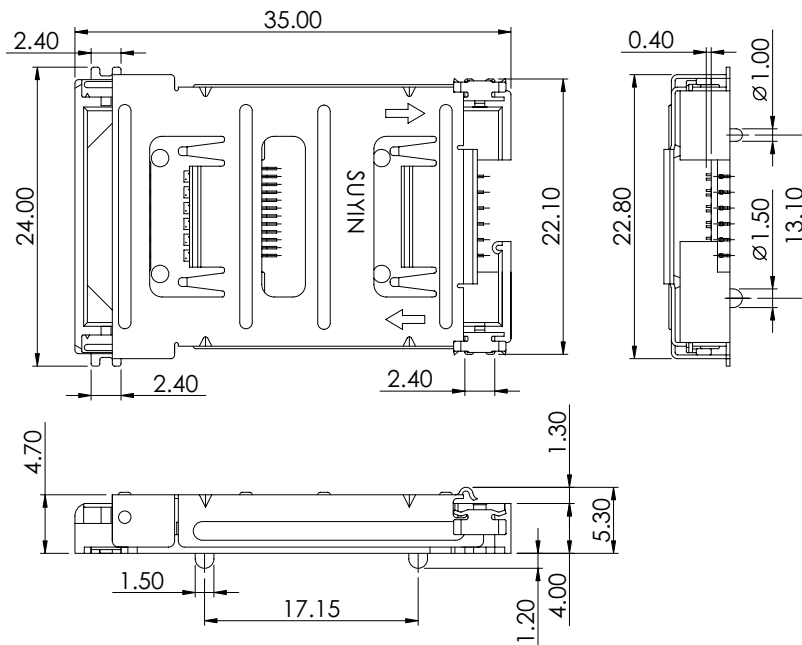


200241FA Series

Specifications:

- **Insulator Material** : Warm Gray High Temp. Plastic
- **Operating Type Range** : -40°C TO +105°C
- **Terminal Material** : Phos. Bronze
- **Platings** : Contact-Selective Gold
Plated or Full Gold Plated
- **Max. Current Rating** : 1.5A
- **Max. Voltage Rating** : 115V AC
- **Dielectric Strength** : 500V AC For 60 Seconds

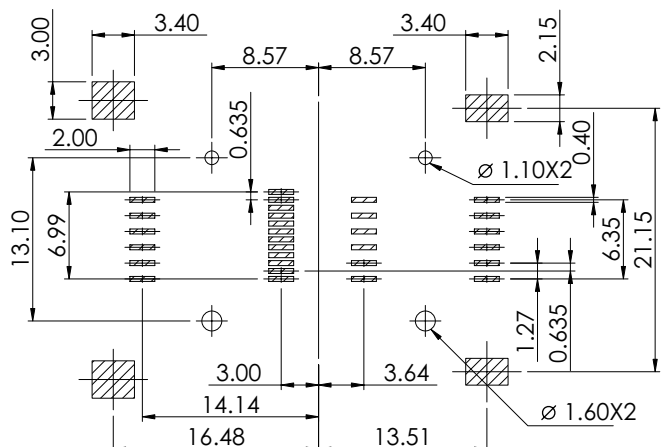


Order Information

200241FA030□□00PA
1 2 3 4 5

1. 'A' : Straight SMT Type
 2. No. of pins.
 3. Plating
 4. Color 'P' : Warm Gray
 5. Package
'A' : Tray Package Without Cap
- Reference Page 11

Recommended P.C.B Layout



Mobile

OTHERS