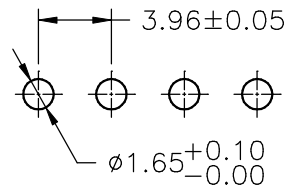
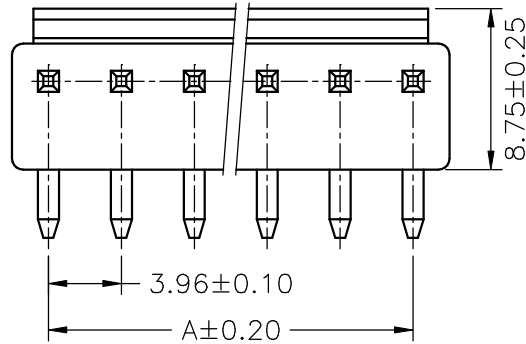
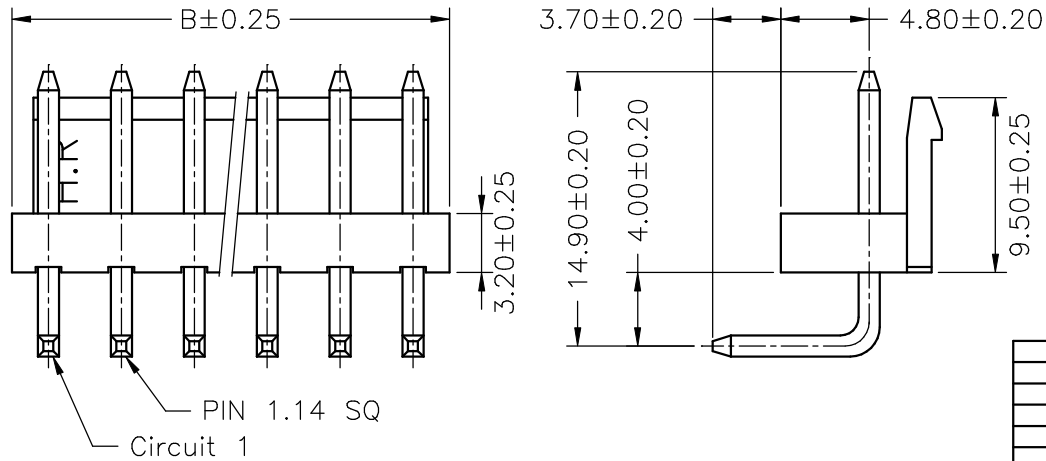


**SPECIFICATIONS**  
 Current Rating: 7A AC,DC  
 Voltage Rating: 250V AC,DC  
 Temperature Range: -25°C ~ +85°C  
 Contact Resistance: 10mΩ Max  
 Insulation Resistance: 1000MΩ Min  
 Withstanding Voltage: 1500V AC/minute  
 Pin Material: Brass/Tin-plated  
 Material: Nylon 66,UL94V-0  
 Color: Natural(White)



P.C.B LAYOUT



PIN 1.14 SQ  
 Circuit 1

**Ordering Information & Dimensions**

PART NO.	Dimensions	
	A	B
A3961WR-02P	3.96	7.92
A3961WR-03P	7.92	11.88
A3961WR-04P	11.88	15.84
A3961WR-05P	15.84	19.80
A3961WR-06P	19.80	23.76
A3961WR-07P	23.76	27.72
A3961WR-08P	27.72	31.68
A3961WR-09P	31.68	35.64
A3961WR-10P	35.64	39.60
A3961WR-11P	39.60	43.56
A3961WR-12P	43.56	47.52
A3961WR-13P	47.52	51.48
A3961WR-14P	51.48	55.44
A3961WR-15P	55.44	59.40

				UNIT		TITLE:	
				mm	SCALE	SHEET	1 of 1
		DRAWN BY		APPROVED BY		<b>3.96mm PITCH</b> <b>90° WAFER</b>	
		董正一		董正一			
		2001.02.01		2001.02.01			
		GENERAL TOLERANCE				DRAW NO. : A3961WR-XP	
		X. X±0.25		ANGLE±			
BO		NEW RELEASE		2006.04.17			
REV.		DESCRIPTION		DATE			