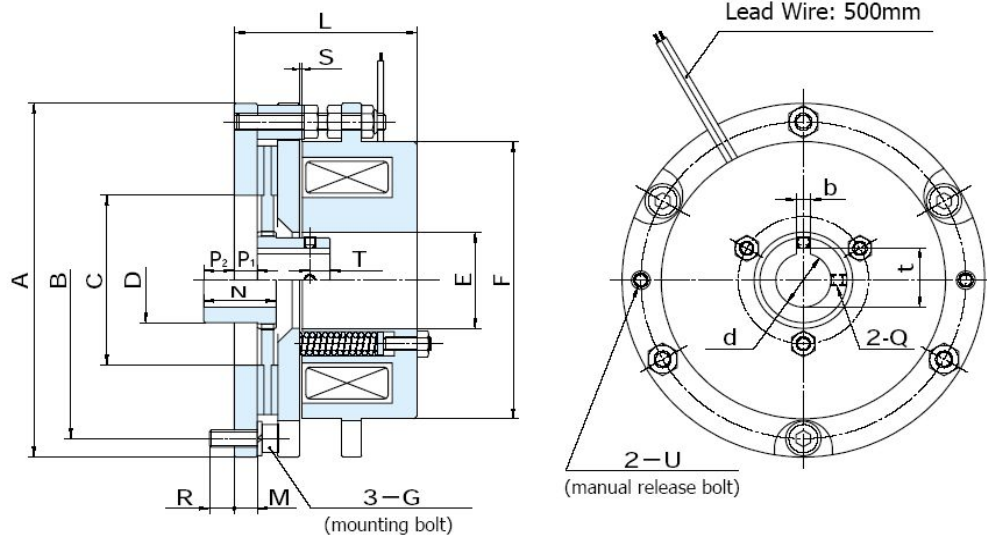


MNB

EM Spring-Applied Brake

Types: 1.2, 2.5, 5, 10, 20, 40, 80

[EM: Electromagnet]



MNB		1.2G	1.2K	2.5G	2.5K	5G	5K	10G	10K	20J	20K	40J	40K	80J	80K
Static Torque [ft-lbs / N-m]		8.9 / 12	18 / 25	37 / 50	74 / 100	148 / 200	295 / 400	590 / 800							
Coil (20°C)	Voltage [DC-V]	24	90	24	90	24	90	24	90	72	90	72	90	72	90
	Current [A]	1	0.26	1.6	0.39	1.74	0.47	2.2	0.58	0.58	0.97	1.1	1.3	1.4	1.8
	Resistance [Ω]	24	350	15	230	14	190	11	150	150	74	82	55	62	40
	Wattage [W]	24	23	39	35	42	42	53	53	53	70	98	94	130	130
Armature	Pull-In Time [ms]	80	40 ¹	100	45 ¹	120	60 ¹	180	90 ¹	120 ¹	90 ²	160	120 ²	200	160 ²
	Release Time [ms]	70	70 ¹	100	100 ¹	120	120 ¹	160	160 ¹	180 ¹	100 ²	220	140 ²	230	150 ²
Max Allowable Speed [rpm]		3500		3000		3000		2500		2500		2000		2000	
Moment of Inertia (J) [kg-cm ²]		3		6		14.5		25		60		170		503	
Max Air Gap Until Adjustment [mm]		0.8		0.8		0.8		0.8		1		1.2		1.2	
Max Energy Until Adjustment [J]		7.2 x 10 ⁷		1.0 x 10 ⁸		1.4 x 10 ⁸		1.6 x 10 ⁸		3.0 x 10 ⁸		5.6 x 10 ⁸		7.0 x 10 ⁸	
Max Energy Until Life [J]		2.0 x 10 ⁸		3.4 x 10 ⁸		4.8 x 10 ⁸		7.9 x 10 ⁸		1.2 x 10 ⁹		2.2 x 10 ⁹		3.2 x 10 ⁹	
Max Work Rate [W]		123		147		245		327		490		590		700	
Bore [mm]	dH7	19	24	28	32	42	55	65							
Key Way [mm]	bE9	5	7	7	10	12	16	18							
	t+0.15/-0	21	27	31	35.5	45.5	60	71							
	Ah9	125	145	165	190	230	275	340							
Dimensions [mm]	B	112	130	150	170	210	250	305							
	CH9	60	75	85	95	125	150	180							
	D	30	38	45	52	65	80	95							
	E	34	44	54	60	70	90	105							
	F	98	116	134	152	186	220	270							
	G	M6	M6	M6	M8	M8	M12	M16							
	L	63	72	78	88	98	125	145							
	L ³	63	72	78	88	98	143	167							
	M	8	9	10	11	12	15	18							
	N	25	30	35	40	50	60	70							
	P ₁	8	9	10	11	12	15	18							
	P ₂	10.5	13	16	18	27	31	33							
	Q	M4	M5	M6	M6	M8	M8	M8							
	R	8.5	9.5	8.5	12	11	17	23							
	S	0.1~0.35	0.1~0.35	0.1~0.35	0.2~0.45	0.2~0.45	0.2~0.45	0.3~0.55							
	T	7	10	10	15	15	28	30							
	U	M5-28	M6-30	M6-35	M8-40	M10-45	M12-85	M12-95							
Weight [lbs / kg]		7.3 / 3.3	11 / 5	16 / 7	24 / 11	41 / 19	77 / 35	137 / 62							

[Note 1 : OFS 220 power supply]

[Note 2 : OHP 18H power supply]

[Note 3 : Total height including gap adjustment bolt]

[1 inch = 25.4 mm]