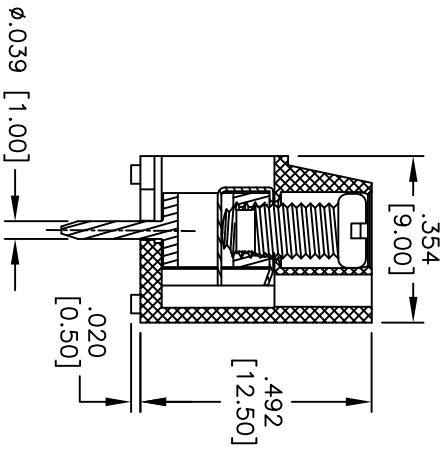
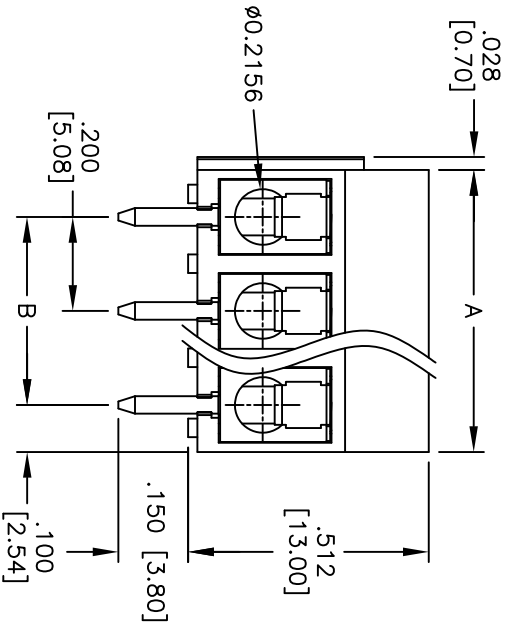
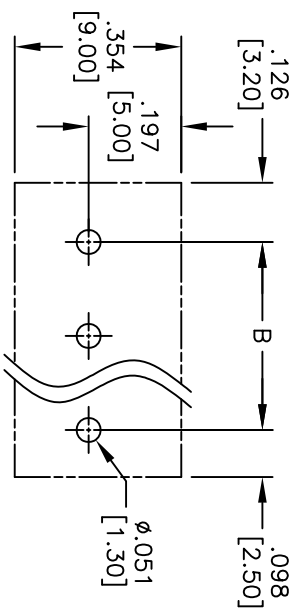
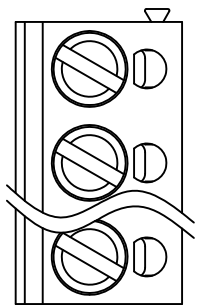


Rev	AWO #	Description	Date	Appr
-		RELEASED	6/08/11	

APPROVED: _____
 DATE: _____ TITLE: _____



A = .200 [5.08] x No. of Positions
 B = .200 [5.08] x No. of Spaces

SPECIFICATIONS:
 Material: Thermoplastic, rated UL 94V-0
 Insulator color: Blue
 Terminal: Brass, Tin plated
 Wire guard: Stainless steel
 Screw: Steel, M3/Zn plated.
 Electrical:
 Operation voltage: 300VAC
 Current rating: 15A
 Withstanding voltage: 1.6KV
 Mechanical:
 Torque: 3.5 Lb-In
 Solid wire: 14-22 Awg.
 Environmental:
 Operating temperature: -40°C to +115°C
 Lead free, RoHS compliant.
 Recommended soldering temp: 235°C for 5 sec.



ADAM TECH
 909 Rahway Avenue, Union, NJ 07083
 Phone: 908-687-5000 Fax: 908-687-5710

TITLE: EURO BLOCK, VERTICAL, PCB TYPE
 .200 [5.08] PITCH, COLOR BLUE

UNLESS OTHERWISE SPECIFIED ALL DIMENSIONS ARE MM [INCHES] TOLERANCES: EXCEPT AS NOTED INCHES	
.X ± .10	ϕ XX ± .10
.XX ± .020	ϕ XXX ± .015
.XXX ± .015	ϕ XXXX ± .010
APPROVALS	DATE
DRAWN	DY
CHECKED	
APPROVED	
	6/08/11

SIZE	PART NO.	REV.
X	EBA-XX-D-BU-01	-
REF: S00007T	SCALE: NTS	SHEET 1 OF 1

6 5 4 3 2 1