

# LSF010x 1/2/8 Channel Bidirectional Multi-Voltage Level Translator for Open-Drain and Push-Pull Application

## 1 Features

- Provides Bidirectional Voltage Translation With No Direction Pin
- Supports Up to 100 MHz Up Translation and Greater Than 100 MHz Down Translation at  $\leq 30\text{pF}$  Cap Load and Up To 40 MHz Up/Down Translation at 50 pF Cap Load
- Supports Hot Insertion
- Allow Bidirectional Voltage Level Translation Between
  - 0.95 V  $\leftrightarrow$  1.8/2.5/3.3/5 V
  - 1.2 V  $\leftrightarrow$  1.8/2.5/3.3/5 V
  - 1.8 V  $\leftrightarrow$  2.5/3.3/5 V
  - 2.5 V  $\leftrightarrow$  3.3/5 V
  - 3.3 V  $\leftrightarrow$  5 V
- Low Standby Current
- 5 V Tolerance I/O Port to Support TTL
- Low Ron Provides Less Signal Distortion
- High-Impedance I/O pins For EN = Low
- Flow-Through Pinout for Ease PCB Trace Routing
- Latch-Up Performance Exceeds 100 mA Per JESD 17
- $-40^{\circ}\text{C}$  to  $125^{\circ}\text{C}$  Operating Temperature Range
- ESD Performance Tested Per JESD 22
  - 2000 V Human-Body Model (A114-B, Class II)
  - 200 V Machine Model (A115-A)
  - 1000 V Charged-Device Model (C101)

## 2 Applications

- GPIO, MDIO, PMBus, SMBus, SDIO, UART, I<sup>2</sup>C, and Other Interfaces in Telecom Infrastructure
- Industrial
- Automotive
- Personal Computing

## 3 Description

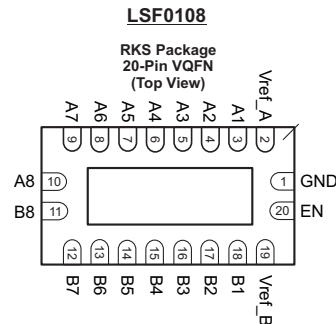
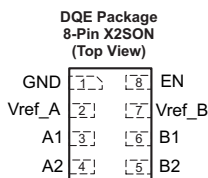
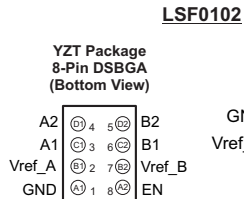
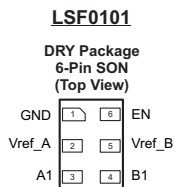
LSF family supports up to 100 MHz up translation and greater than 100 MHz down translation at  $\leq 30\text{pF}$  cap load and up to 40 MHz up/down translation at 50 pF cap load which allows the LSF family to support more consumer or telecom interfaces (MDIO or SDIO). The LSF family has bidirectional voltage translation without the need for DIR pin which minimizes system effort (for PMBus, I<sup>2</sup>C, or SMBus).

LSF family supports 5 V tolerance on IO port which makes it compatible with TTL levels in industrial and telecom applications. The LSF family is able to set up different voltage translation levels on each channel which makes it very flexible.

### Device Information<sup>(1)</sup>

PART NUMBER	PACKAGE(PINS)	BODY SIZE (NOM)
LSF0101	SON (6)	1.45 mm x 1.00 mm
LSF0102	X2SON (8)	1.40 mm x 1.00 mm
	DSBGA (8)	1.90 mm x 1.00 mm
	SM8 (8)	2.80 mm x 2.95 mm
	VSSOP (8)	2.30 mm x 2.00 mm
LSF0108	VQFN (20)	4.50 mm x 2.50 mm
	TSSOP (20)	4.40 mm x 6.50 mm

(1) For all available packages, see the orderable addendum at the end of the data sheet.



## Table of Contents

<b>1</b>	<b>Features</b> .....	<b>1</b>	6.14	LSF0108 AC Performance (Translating Up) Switching Characteristics, $V_{GATE} = 2.5\text{ V}$ .....	<b>8</b>
<b>2</b>	<b>Applications</b> .....	<b>1</b>	6.15	Typical Characteristics .....	<b>8</b>
<b>3</b>	<b>Description</b> .....	<b>1</b>	<b>7</b>	<b>Parameter Measurement Information</b> .....	<b>9</b>
<b>4</b>	<b>Revision History</b> .....	<b>2</b>	<b>8</b>	<b>Detailed Description</b> .....	<b>10</b>
<b>5</b>	<b>Pin Configuration and Functions</b> .....	<b>3</b>	8.1	Overview .....	<b>10</b>
<b>6</b>	<b>Specifications</b> .....	<b>5</b>	8.2	Functional Block Diagrams .....	<b>10</b>
6.1	Absolute Maximum Ratings .....	<b>5</b>	8.3	Feature Description .....	<b>11</b>
6.2	ESD Ratings .....	<b>5</b>	8.4	Device Functional Modes .....	<b>11</b>
6.3	Recommended Operating Conditions .....	<b>5</b>	<b>9</b>	<b>Application and Implementation</b> .....	<b>12</b>
6.4	Thermal Information: LSF0101, LSF0108 .....	<b>6</b>	9.1	Application Information .....	<b>12</b>
6.5	Thermal Information: LSF0102 .....	<b>6</b>	9.2	Typical Application .....	<b>12</b>
6.6	Electrical Characteristics .....	<b>6</b>	<b>10</b>	<b>Power Supply Recommendations</b> .....	<b>19</b>
6.7	LSF0101/02 AC Performance (Translating Down) Switching Characteristics, $V_{GATE} = 3.3\text{ V}$ .....	<b>7</b>	<b>11</b>	<b>Layout</b> .....	<b>19</b>
6.8	LSF0108 AC Performance (Translating Down) Switching Characteristics, $V_{GATE} = 3.3\text{ V}$ .....	<b>7</b>	11.1	Layout Guidelines .....	<b>19</b>
6.9	LSF0101/02 AC Performance (Translating Down) Switching Characteristics, $V_{GATE} = 2.5\text{ V}$ .....	<b>7</b>	11.2	Layout Example .....	<b>19</b>
6.10	LSF0108 AC Performance (Translating Down) Switching Characteristics, $V_{GATE} = 2.5\text{ V}$ .....	<b>7</b>	<b>12</b>	<b>Device and Documentation Support</b> .....	<b>21</b>
6.11	LSF0101/02 AC Performance (Translating Up) Switching Characteristics, $V_{GATE} = 3.3\text{ V}$ .....	<b>7</b>	12.1	Related Links .....	<b>21</b>
6.12	LSF0108 AC Performance (Translating Up) Switching Characteristics, $V_{GATE} = 3.3\text{ V}$ .....	<b>7</b>	12.2	Community Resources .....	<b>21</b>
6.13	LSF0101/02 AC Performance (Translating Up) Switching Characteristics, $V_{GATE} = 2.5\text{ V}$ .....	<b>8</b>	12.3	Trademarks .....	<b>21</b>
			12.4	Electrostatic Discharge Caution .....	<b>21</b>
			12.5	Glossary .....	<b>21</b>
			<b>13</b>	<b>Mechanical, Packaging, and Orderable Information</b> .....	<b>21</b>

## 4 Revision History

NOTE: Page numbers for previous revisions may differ from page numbers in the current version.

### Changes from Revision F (October 2015) to Revision G Page

- Added all available package dimensions in Device Information and changed the pin diagram description. .... **1**

### Changes from Revision E (July 2015) to Revision F Page

- Changed Features from "Supports High Speed Translation, Greater Than 100 MHz" to "Supports Up to 100 MHz Up Translation and Greater Than 100 MHz Down Translation at  $\leq 30\text{pF}$  Cap Load and Up To 40 MHz Up/Down Translation at 50 pF Cap Load." .... **1**
- Updated all propagation delay tables changed from generic to specific LSF devices. .... **7**

### Changes from Revision D (October 2014) to Revision E Page

- Deleted "Less Than 1.5 ns Max Propagation Delay" from Features. .... **1**
- Updated ESD Ratings table. .... **5**
- Increased MAX value for  $T_A$ , Operating free-air temperature, from 85°C to 125°C. .... **5**

### Changes from Revision C (May 2014) to Revision D Page

- Changed bidirectional voltage level translation from 1.0 to 0.95 .... **1**
- Changed YZT package to fix view error. .... **1**
- Changed YZT package to fix view error. .... **3**
- Added pin numbers to *Pin Functions* table. .... **4**

- Added Vref\_A footnote. .... 13

**Changes from Revision B (May 2014) to Revision C** **Page**

- Changed LSF0108 status from preview to production. .... 1
- Updated document title. .... 1
- Updated Handling Ratings table. .... 5

**Changes from Revision A (January 2014) to Revision B** **Page**

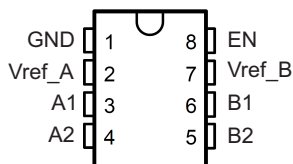
- Added LSF0108 to data sheet. .... 1

**Changes from Original (December 2013) to Revision A** **Page**

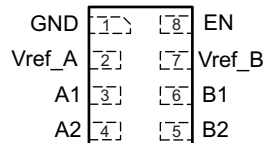
- Updated part number. .... 1
- Updated *Electrical Characteristics* table. .... 6

## 5 Pin Configuration and Functions

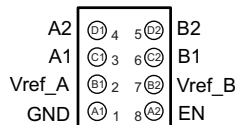
**LSF0102 DCT or DCU Package**  
8-Pin SM8 or VSSOP  
Top View



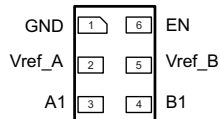
**LSF0102 DQE Package**  
8-Pin X2SON  
Top View

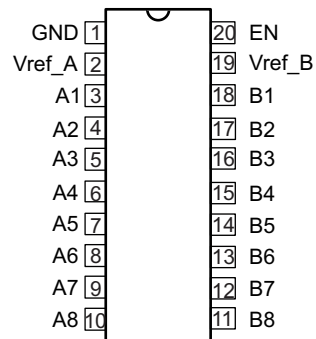
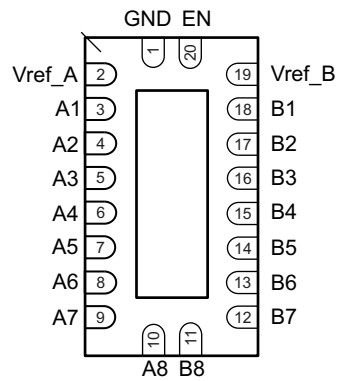


**LSF0102 YZT Package**  
8-Pin DSBGA  
Bottom View



**LSF0101 DRY Package**  
6-Pin SON  
Top View



**LSF0108 PW Package  
20-Pin TSSOP  
Top View**

**LSF0108 RKS Package  
20-Pin VQFN  
Top View**

**Pin Functions**

NAME	PIN			DESCRIPTION
	DCT, DCU, DQE, YZT NO.	DRY NO.	PW or RKS NO.	
An	3, 4	3	3 to 10	Data port
Bn	6, 5	4	18 to 11	
EN	8	6	20	Switch enable input; connect to Vref_B and pull-up through a high resistor (200 kΩ).
GND	1	1	1	Ground
Vref_A	2	2	2	Reference supply voltage; see <a href="#">Application and Implementation</a> .
Vref_B	7	5	19	Reference supply voltage; see <a href="#">Application and Implementation</a> .

## 6 Specifications

### 6.1 Absolute Maximum Ratings<sup>(1)</sup>

over operating free-air temperature (unless otherwise noted)

		MIN	MAX	UNIT
$V_I$	Input voltage <sup>(2)</sup>	-0.5	7	V
$V_{I/O}$	Input/output voltage <sup>(2)</sup>	-0.5	7	V
	Continuous channel current		128	mA
$I_{IK}$	Input clamp current	$V_I < 0$	-50	mA
$R_{\theta JA}$	Package thermal impedance <sup>(3)</sup>	DCT package	220	°C/W
		DCU package	227	
$T_{stg}$	Storage temperature range	-65	150	°C

- (1) Stresses beyond those listed under "absolute maximum ratings" may cause permanent damage to the device. These are stress ratings only, and functional operation of the device at these or any other conditions beyond those indicated under "recommended operating conditions" is not implied. Exposure to absolute-maximum-rated conditions for extended periods may affect device reliability.
- (2) The input and input/output negative-voltage ratings may be exceeded if the input and input/output clamp-current ratings are observed.
- (3) The package thermal impedance is calculated in accordance with JESD 51-7.

### 6.2 ESD Ratings

		VALUE	UNIT
$V_{(ESD)}$	Electrostatic discharge	Human-body model (HBM), per ANSI/ESDA/JEDEC JS-001 <sup>(1)</sup>	±2000
		Charged-device model (CDM), per JEDEC specification JESD22-C101 <sup>(2)</sup>	±1000

- (1) JEDEC document JEP155 states that 500-V HBM allows safe manufacturing with a standard ESD control process. Manufacturing with less than 500-V HBM is possible with the necessary precautions.
- (2) JEDEC document JEP157 states that 250-V CDM allows safe manufacturing with a standard ESD control process. Manufacturing with less than 250-V CDM is possible with the necessary precautions.

### 6.3 Recommended Operating Conditions

over operating free-air temperature range (unless otherwise noted)

		MIN	MAX	UNIT
$V_{I/O}$	Input/output voltage	0	5	V
$V_{ref\_A/B/EN}$	Reference voltage	0	5	V
$I_{PASS}$	Pass transistor current		64	mA
$T_A$	Operating free-air temperature	-40	125	°C

## 6.4 Thermal Information: LSF0101, LSF0108

THERMAL METRIC <sup>(1)</sup>		LSF0101	LSF0108	LSF0108	UNIT
		DRY (SON)	RKS (VQFN)	PW (TSSOP)	
		6 PINS	20 PINS	20 PINS	
$R_{\theta JA}$	Junction-to-ambient thermal resistance	407.0	49.3	106.6	°C/W
$R_{\theta JC(top)}$	Junction-to-case (top) thermal resistance	285.2	45.9	41.0	°C/W
$R_{\theta JB}$	Junction-to-board thermal resistance	271.6	20.6	57.6	°C/W
$\Psi_{JT}$	Junction-to-top characterization parameter	113.5	2.5	4.2	°C/W
$\Psi_{JB}$	Junction-to-board characterization parameter	271.0	20.6	47.0	°C/W
$R_{\theta JC(bot)}$	Junction-to-case (bottom) thermal resistance	n/a	3.4	n/a	°C/W

(1) For more information about traditional and new thermal metrics, see the *IC Package Thermal Metrics* application report, [SPRA953](#).

## 6.5 Thermal Information: LSF0102

THERMAL METRIC <sup>(1)</sup>		LSF0102	LSF0102	LSF0102	LSF0102	UNIT
		DCU (US8)	DCT (SM8)	DQE (X2SON)	YZT (DSBGA)	
		8 PINS	8 PINS	8 PINS	8 PINS	
$R_{\theta JA}$	Junction-to-ambient thermal resistance	210.1	189.6	246.5	125.5	°C/W
$R_{\theta JC(top)}$	Junction-to-case (top) thermal resistance	89.1	119.6	149.1	1.0	°C/W
$R_{\theta JB}$	Junction-to-board thermal resistance	88.8	102.1	100.0	62.7	°C/W
$\Psi_{JT}$	Junction-to-top characterization parameter	8.3	44.5	17.1	3.4	°C/W
$\Psi_{JB}$	Junction-to-board characterization parameter	88.4	101.0	99.8	62.7	°C/W
$R_{\theta JC(bot)}$	Junction-to-case (bottom) thermal resistance	n/a	n/a	n/a	n/a	°C/W

(1) For more information about traditional and new thermal metrics, see the *IC Package Thermal Metrics* application report, [SPRA953](#).

## 6.6 Electrical Characteristics

over recommended operating free-air temperature range (unless otherwise noted)

PARAMETER	TEST CONDITIONS		MIN	TYP <sup>(1)</sup>	MAX	UNIT
$V_{IK}$	$I_I = -18 \text{ mA}$ , $V_{EN} = 0$				-1.2	V
$I_{IH}$	$V_I = 5 \text{ V}$ , $V_{EN} = 0$				5.0	μA
$I_{CC}$	$V_{ref\_B} = V_{EN} = 5.5 \text{ V}$ , $V_{ref\_A} = 4.5 \text{ V}$ or $1 \text{ V}$ , $I_O = 0$ , $V_I = V_{CC}$ or GND			1		μA
$C_{I(ref\_A/B/EN)}$	$V_I = 3 \text{ V}$ or $0$			11		pF
$C_{io(off)}$	$V_O = 3 \text{ V}$ or $0$ , $V_{EN} = 0$			4.0	6.0	pF
$C_{io(on)}$	$V_O = 3 \text{ V}$ or $0$ , $V_{EN} = 3 \text{ V}$			10.5	12.5	pF
$r_{on}$ <sup>(2)</sup>	$V_I = 0$ , $I_O = 64 \text{ mA}$	$V_{ref\_A} = 3.3 \text{ V}$ ; $V_{ref\_B} = V_{EN} = 5 \text{ V}$		8.0		Ω
		$V_{ref\_A} = 1.8 \text{ V}$ ; $V_{ref\_B} = V_{EN} = 5 \text{ V}$		9.0		
		$V_{ref\_A} = 1.0 \text{ V}$ ; $V_{ref\_B} = V_{EN} = 5 \text{ V}$		10		
	$V_I = 0$ , $I_O = 32 \text{ mA}$	$V_{ref\_A} = 1.8 \text{ V}$ ; $V_{ref\_B} = V_{EN} = 5 \text{ V}$		10		Ω
		$V_{ref\_A} = 2.5 \text{ V}$ ; $V_{ref\_B} = V_{EN} = 5 \text{ V}$		15		
	$V_I = 1.8 \text{ V}$ , $I_O = 15 \text{ mA}$	$V_{ref\_A} = 3.3 \text{ V}$ ; $V_{ref\_B} = V_{EN} = 5 \text{ V}$		9.0		Ω
	$V_I = 1.0 \text{ V}$ , $I_O = 10 \text{ mA}$	$V_{ref\_A} = 1.8 \text{ V}$ ; $V_{ref\_B} = V_{EN} = 3.3 \text{ V}$		18		Ω
$V_I = 0 \text{ V}$ , $I_O = 10 \text{ mA}$	$V_{ref\_A} = 1.0 \text{ V}$ ; $V_{ref\_B} = V_{EN} = 3.3 \text{ V}$		20		Ω	
$V_I = 0 \text{ V}$ , $I_O = 10 \text{ mA}$	$V_{ref\_A} = 1.0 \text{ V}$ ; $V_{ref\_B} = V_{EN} = 1.8 \text{ V}$		30		Ω	

(1) All typical values are at  $T_A = 25^\circ\text{C}$ .

(2) Measured by the voltage drop between the A and B pins at the indicated current through the switch. On-state resistance is determined by the lowest voltage of the two (A or B) pins.

### 6.7 LSF0101/02 AC Performance (Translating Down) Switching Characteristics, $V_{GATE} = 3.3\text{ V}$

over recommended operating free-air temperature range,  $V_{GATE} = 3.3\text{ V}$ ,  $V_{IH} = 3.3\text{ V}$ ,  $V_{IL} = 0$ , and  $V_M = 1.15\text{ V}$  (unless otherwise noted) (see [Figure 2](#))

PARAMETER	FROM (INPUT)	TO (OUTPUT)	$C_L = 50\text{ pF}$		$C_L = 30\text{ pF}$		$C_L = 15\text{ pF}$		UNIT
			TYP	MAX	TYP	MAX	TYP	MAX	
$t_{PLH}$	A or B	B or A	1.1		0.7		0.3		ns
$t_{PHL}$			1.2		0.8		0.4		

### 6.8 LSF0108 AC Performance (Translating Down) Switching Characteristics, $V_{GATE} = 3.3\text{ V}$

over recommended operating free-air temperature range,  $V_{GATE} = 3.3\text{ V}$ ,  $V_{IH} = 3.3\text{ V}$ ,  $V_{IL} = 0$ , and  $V_M = 1.15\text{ V}$  (unless otherwise noted) (see [Figure 2](#))

PARAMETER	FROM (INPUT)	TO (OUTPUT)	$C_L = 50\text{ pF}$		$C_L = 30\text{ pF}$		$C_L = 15\text{ pF}$		UNIT
			TYP	MAX	TYP	MAX	TYP	MAX	
$t_{PLH}$	A or B	B or A	1.9		1.4		0.75		ns
$t_{PHL}$			2		1.5		0.85		

### 6.9 LSF0101/02 AC Performance (Translating Down) Switching Characteristics, $V_{GATE} = 2.5\text{ V}$

over recommended operating free-air temperature range,  $V_{GATE} = 2.5\text{ V}$ ,  $V_{IH} = 2.5\text{ V}$ ,  $V_{IL} = 0$ , and  $V_M = 0.75\text{ V}$  (unless otherwise noted) (see [Figure 2](#))

PARAMETER	FROM (INPUT)	TO (OUTPUT)	$C_L = 50\text{ pF}$		$C_L = 30\text{ pF}$		$C_L = 15\text{ pF}$		UNIT
			TYP	MAX	TYP	MAX	TYP	MAX	
$t_{PLH}$	A or B	B or A	1.2		0.8		0.35		ns
$t_{PHL}$			1.3		1		0.5		

### 6.10 LSF0108 AC Performance (Translating Down) Switching Characteristics, $V_{GATE} = 2.5\text{ V}$

over recommended operating free-air temperature range,  $V_{GATE} = 2.5\text{ V}$ ,  $V_{IH} = 2.5\text{ V}$ ,  $V_{IL} = 0$ , and  $V_M = 0.75\text{ V}$  (unless otherwise noted) (see [Figure 2](#))

PARAMETER	FROM (INPUT)	TO (OUTPUT)	$C_L = 50\text{ pF}$		$C_L = 30\text{ pF}$		$C_L = 15\text{ pF}$		UNIT
			TYP	MAX	TYP	MAX	TYP	MAX	
$t_{PLH}$	A or B	B or A	2		1.45		0.8		ns
$t_{PHL}$			2.1		1.55		0.9		

### 6.11 LSF0101/02 AC Performance (Translating Up) Switching Characteristics, $V_{GATE} = 3.3\text{ V}$

over recommended operating free-air temperature range,  $V_{GATE} = 3.3\text{ V}$ ,  $V_{IH} = 2.3\text{ V}$ ,  $V_{IL} = 0$ ,  $V_T = 3.3\text{ V}$ ,  $V_M = 1.15\text{ V}$  and  $R_L = 300$  (unless otherwise noted) (see [Figure 2](#))

PARAMETER	FROM (INPUT)	TO (OUTPUT)	$C_L = 50\text{ pF}$		$C_L = 30\text{ pF}$		$C_L = 15\text{ pF}$		UNIT
			TYP	MAX	TYP	MAX	TYP	MAX	
$t_{PLH}$	A or B	B or A	1		0.8		0.4		ns
$t_{PHL}$			1		0.9		0.4		

### 6.12 LSF0108 AC Performance (Translating Up) Switching Characteristics, $V_{GATE} = 3.3\text{ V}$

over recommended operating free-air temperature range,  $V_{GATE} = 3.3\text{ V}$ ,  $V_{IH} = 2.3\text{ V}$ ,  $V_{IL} = 0$ ,  $V_T = 3.3\text{ V}$ ,  $V_M = 1.15\text{ V}$  and  $R_L = 300$  (unless otherwise noted) (see [Figure 2](#))

PARAMETER	FROM (INPUT)	TO (OUTPUT)	$C_L = 50\text{ pF}$		$C_L = 30\text{ pF}$		$C_L = 15\text{ pF}$		UNIT
			TYP	MAX	TYP	MAX	TYP	MAX	
$t_{PLH}$	A or B	B or A	2.1		1.55		0.9		ns
$t_{PHL}$			2.2		1.65		1		

### 6.13 LSF0101/02 AC Performance (Translating Up) Switching Characteristics, $V_{GATE} = 2.5\text{ V}$

over recommended operating free-air temperature range,  $V_{GATE} = 2.5\text{ V}$ ,  $V_{IH} = 1.5\text{ V}$ ,  $V_{IL} = 0$ ,  $V_T = 2.5\text{ V}$ ,  $V_M = 0.75\text{ V}$  and  $R_L = 300$  (unless otherwise noted) (see [Figure 2](#))

PARAMETER	FROM (INPUT)	TO (OUTPUT)	$C_L = 50\text{ pF}$		$C_L = 30\text{ pF}$		$C_L = 15\text{ pF}$		UNIT
			TYP	MAX	TYP	MAX	TYP	MAX	
$t_{PLH}$	A or B	B or A	1.1		0.9		0.45		ns
$t_{PHL}$			1.3		1.1		0.6		

### 6.14 LSF0108 AC Performance (Translating Up) Switching Characteristics, $V_{GATE} = 2.5\text{ V}$

over recommended operating free-air temperature range,  $V_{GATE} = 2.5\text{ V}$ ,  $V_{IH} = 1.5\text{ V}$ ,  $V_{IL} = 0$ ,  $V_T = 2.5\text{ V}$ ,  $V_M = 0.75\text{ V}$  and  $R_L = 300$  (unless otherwise noted) (see [Figure 2](#))

PARAMETER	FROM (INPUT)	TO (OUTPUT)	$C_L = 50\text{ pF}$		$C_L = 30\text{ pF}$		$C_L = 15\text{ pF}$		UNIT
			TYP	MAX	TYP	MAX	TYP	MAX	
$t_{PLH}$	A or B	B or A	1.8		1.35		0.8		ns
$t_{PHL}$			1.9		1.45		0.9		

### 6.15 Typical Characteristics

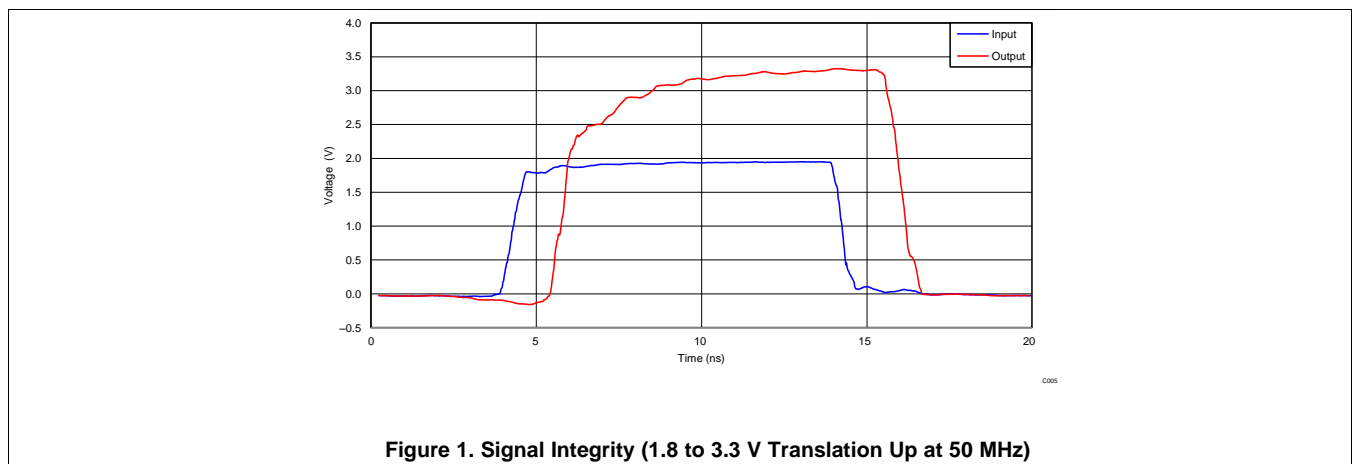
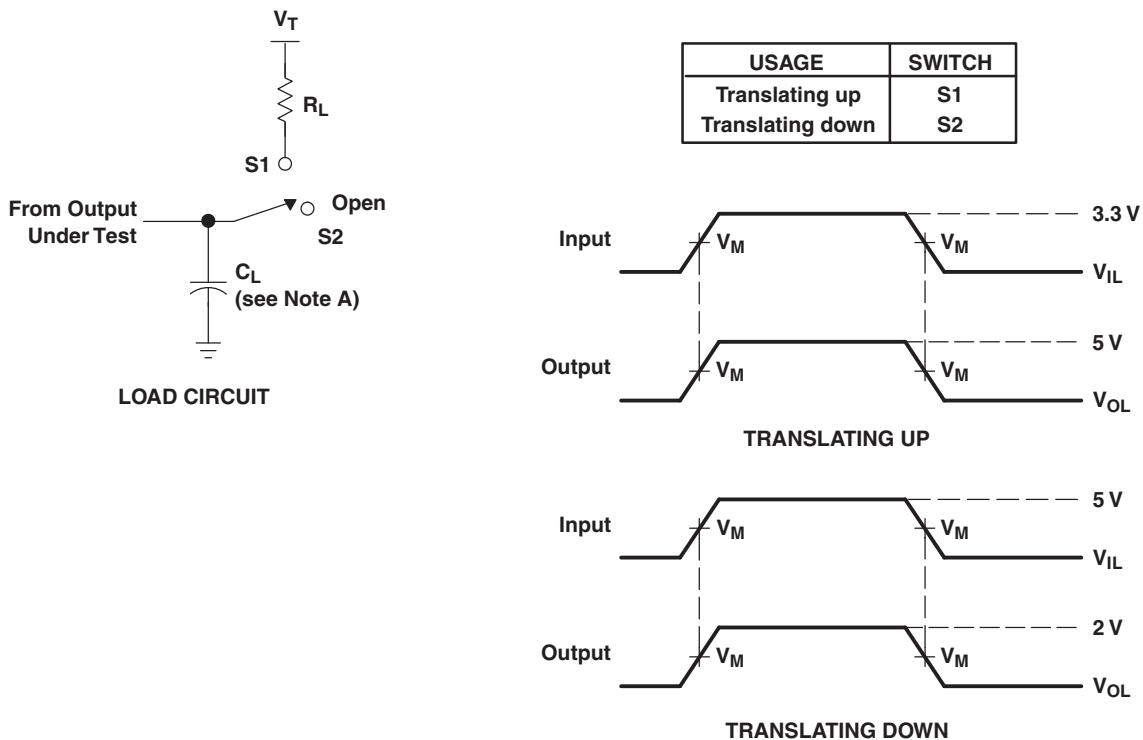


Figure 1. Signal Integrity (1.8 to 3.3 V Translation Up at 50 MHz)



## 7 Parameter Measurement Information



- NOTES: A.  $C_L$  includes probe and jig capacitance.  
 B. All input pulses are supplied by generators having the following characteristics: PRR  $\leq$  10 MHz,  $Z_O = 50 \Omega$ ,  $t_r \leq 2$  ns,  $t_f \leq 2$  ns.  
 C. The outputs are measured one at a time, with one transition per measurement.

**Figure 2. Load Circuit for Outputs**

## 8 Detailed Description

### 8.1 Overview

The LSF family can be used in level translation applications for interfacing devices or systems operating at different interface voltages with one another. The LSF family is ideal for use in applications where an open-drain driver is connected to the data I/Os. With appropriate pull-up resistors and layout, LSF can achieve 100 MHz. The LSF family can also be used in applications where a push-pull driver is connected to the data I/Os.

### 8.2 Functional Block Diagrams

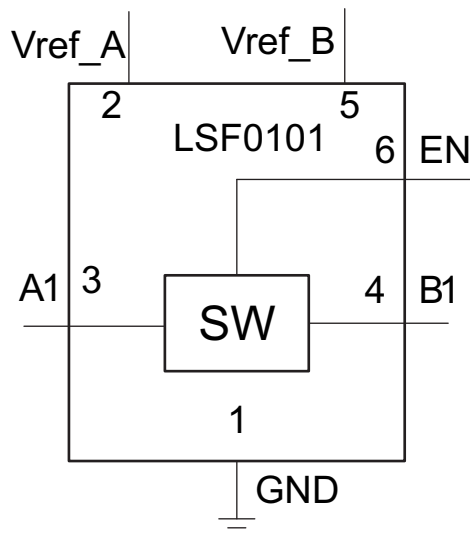


Figure 3. LSF0101 Functional Block Diagram

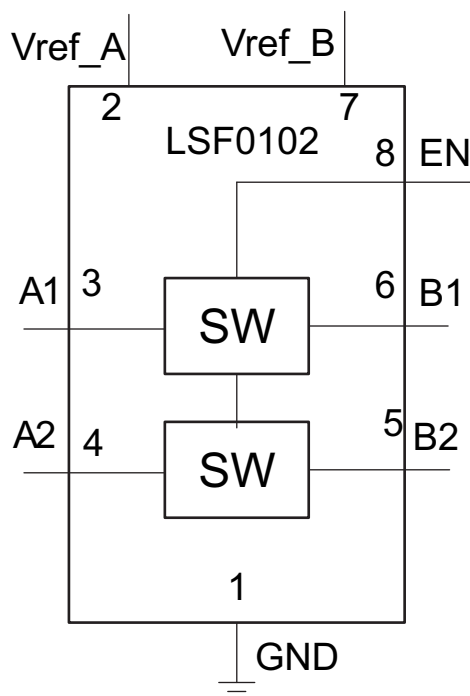


Figure 4. LSF0102 Functional Block Diagram

## Functional Block Diagrams (continued)

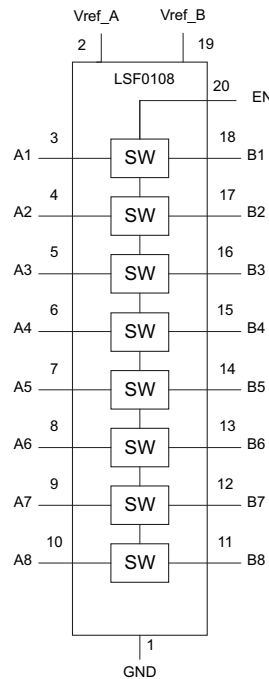


Figure 5. LSF0108 Functional Block Diagram

### 8.3 Feature Description

The LSF family are bidirectional voltage level translators operational from 0.95 to 4.5 V (Vref\_A) and 1.8 to 5.5 V (Vref\_B). This allows bidirectional voltage translations between 1 V and 5 V without the need for a direction pin in open-drain or push-pull applications. LSF family supports level translation applications with transmission speeds greater than 100 Mbps for open-drain systems using a 30-pF capacitance and 250-Ω pullup resistor.

When the An or Bn port is LOW, the switch is in the ON-state and a low resistance connection exists between the An and Bn ports. The low  $R_{on}$  of the switch allows connections to be made with minimal propagation delay and signal distortion. Assuming the higher voltage is on the Bn port when the Bn port is HIGH, the voltage on the An port is limited to the voltage set by Vref\_A. When the An port is HIGH, the Bn port is pulled to the drain pull-up supply voltage ( $V_{pu\#}$ ) by the pull-up resistors. This functionality allows a seamless translation between higher and lower voltages selected by the user without the need for directional control.

The supply voltage ( $V_{pu\#}$ ) for each channel can be individually set up with a pull-up resistor. For example, CH1 can be used in up-translation mode (1.2 V ↔ 3.3 V) and CH2 in down-translation mode (2.5 V ↔ 1.8 V).

When EN is HIGH, the translator switch is on, and the An I/O is connected to the Bn I/O, respectively, allowing bidirectional data flow between ports. When EN is LOW, the translator switch is off, and a high-impedance state exists between ports. The EN input circuit is designed to be supplied by Vref\_B. To ensure the high-impedance state during power-up or power-down, EN must be LOW.

### 8.4 Device Functional Modes

Table 1 expresses the functional modes of the LSF devices.

Table 1. Function Table

INPUT EN <sup>(1)</sup> PIN	FUNCTION
H	An = Bn
L	H-Z

(1) EN is controlled by Vref\_B logic levels and should be at least 1 V higher than Vref\_A for best translator.

## 9 Application and Implementation

### NOTE

Information in the following applications sections is not part of the TI component specification, and TI does not warrant its accuracy or completeness. TI's customers are responsible for determining suitability of components for their purposes. Customers should validate and test their design implementation to confirm system functionality.

### 9.1 Application Information

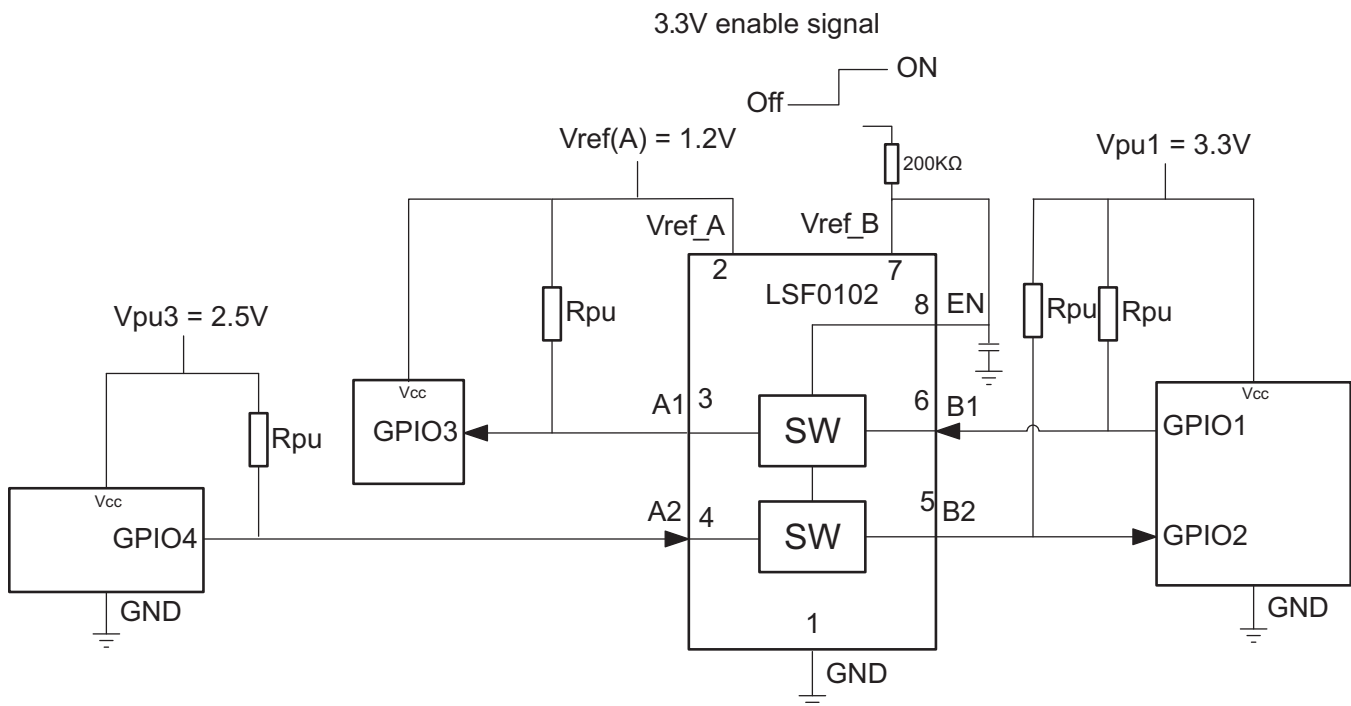
The LSF devices are able to perform voltage translation for open-drain or push-pull interface. [Table 2](#) provides some consumer/telecom interfaces as reference in regards to the different channel numbers that are supported by the LSF family.

**Table 2. Voltage Translator for Consumer/Telecom Interface**

Part Name	Channel Number	Interface
LSF0101	1	GPIO
LSF0102	2	GPIO, MDIO, SMBus, PMBus, I <sup>2</sup> C
LSF0108	8	GPIO, MDIO, SDIO, SVID, UART, SMBus, PMBus, I <sup>2</sup> C, SPI

### 9.2 Typical Application

#### 9.2.1 I<sup>2</sup>C PMBus, SMBus, GPIO



**Figure 6. Bidirectional Translation to Multiple Voltage Levels**

#### 9.2.1.1 Design Requirements

##### 9.2.1.1.1 Enable, Disable, and Reference Voltage Guidelines

The LSF family has an EN input that is used to disable the device by setting EN LOW, which places all I/Os in the high-impedance state. Since LSF family is switch-type voltage translator, the power consumption is very low. It is recommended to always enable LSF family for bidirectional application (I<sup>2</sup>C, SMBus, PMBus, or MDIO).

**Typical Application (continued)**
**Table 3. Application Operating Condition**

PARAMETER		MIN	TYP	MAX	UNIT
Vref_A <sup>(1)</sup>	reference voltage (A)	0.95		4.5	V
Vref_B	reference voltage (B)	Vref_A + 0.8		5.5	V
V <sub>I(EN)</sub>	input voltage on EN pin	Vref_A + 0.8		5.5	V
V <sub>pu</sub>	pull-up supply voltage	0		Vref_B	V

(1) Vref\_A have to be the lowest voltage level across all of inputs and outputs.

**The 200 kΩ, pull-up resistor is required to allow Vref\_B to regulate the EN input.** A filter capacitor on Vref\_B is recommended. Also Vref\_B and V<sub>I(EN)</sub> are recommended to be at 1.0 V higher than Vref\_A for best signal integrity.

**9.2.1.2 Detailed Design Procedure**
**9.2.1.2.1 Bidirectional Translation**

For the bidirectional clamping configuration (higher voltage to lower voltage or lower voltage to higher voltage), the EN input must be connected to Vref\_B and both pins pulled to HIGH side V<sub>pu</sub> through a pull-up resistor (typically 200 kΩ). This allows Vref\_B to regulate the EN input. A filter capacitor on Vref\_B is recommended. The master output driver can be push-pull or open-drain (pull-up resistors may be required) and the slave device output can be push-pull or open-drain (pull-up resistors are required to pull the Bn outputs to V<sub>pu</sub>).

**If either output is push-pull, data must be unidirectional or the outputs must be tri-state and be controlled by some direction-control mechanism to prevent HIGH-to-LOW contentions in either direction. If both outputs are open-drain, no direction control is needed.**

In [Figure 6](#), the reference supply voltage (Vref\_A) is connected to the processor core power supply voltage. When Vref\_B is connected through a 200 kΩ resistor to a 3.3 V V<sub>pu</sub> power supply, and Vref\_A is set 1.0 V. The output of A3 and B4 has a maximum output voltage equal to Vref\_A, and the bidirectional interface (Ch1/2, MDIO) has a maximum output voltage equal to V<sub>pu</sub>.

**9.2.1.2.2 Pull-up Resistor Sizing**

The pull-up resistor value needs to limit the current through the pass transistor when it is in the ON state to about 15 mA. This ensures a pass voltage of 260 mV to 350 mV. If the current through the pass transistor is higher than 15 mA, the pass voltage also is higher in the ON state. To set the current through each pass transistor at 15 mA, to calculate the pull-up resistor value use the following equation:

$$R_{pu} = (V_{pu} - 0.35 \text{ V}) / 0.015 \text{ A} \quad (1)$$

[Table 4](#) summarizes resistor values, reference voltages, and currents at 15 mA, 10 mA, and 3 mA. The resistor value shown in the +10% column (or a larger value) should be used to ensure that the pass voltage of the transistor is 350 mV or less. The external driver must be able to sink the total current from the resistors on both sides of the LSF family device at 0.175 V, although the 15 mA applies only to current flowing through the LSF family device.

**Table 4. Pull-up Resistor Values<sup>(1)(2)</sup>**

V <sub>DPU</sub>	15 mA		10 mA		3 mA	
	NOMINAL (Ω)	+10% <sup>(3)</sup> (Ω)	NOMINAL (Ω)	+10% <sup>(3)</sup> (Ω)	NOMINAL (Ω)	+10% <sup>(3)</sup> (Ω)
5 V	310	341	465	512	1550	1705
3.3 V	197	217	295	325	983	1082
2.5 V	143	158	215	237	717	788
1.8 V	97	106	145	160	483	532
1.5 V	77	85	115	127	383	422
1.2 V	57	63	85	94	283	312

(1) Calculated for V<sub>OL</sub> = 0.35 V

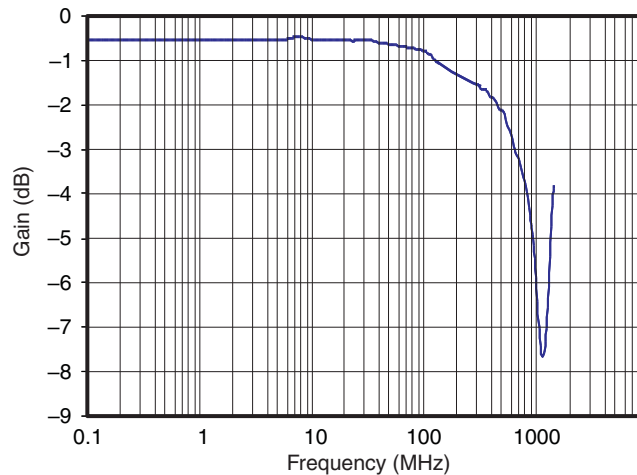
(2) Assumes output driver V<sub>OL</sub> = 0.175 V at stated current

(3) +10% to compensate for V<sub>DD</sub> range and resistor tolerance

### 9.2.1.2.3 LSF Family Bandwidth

The maximum frequency of the LSF family is dependent on the application. The device can operate at speeds of >100 MHz given the correct conditions. The maximum frequency is dependent upon the loading of the application. The LSF family behaves like a standard switch where the bandwidth of the device is dictated by the on resistance and on capacitance of the device.

Figure 7 shows a bandwidth measurement of the LSF family using a two-port network analyzer.



**Figure 7. 3-dB Bandwidth**

The 3-dB point of the LSF family is  $\approx 600$  MHz; however, this measurement is an analog type of measurement. For digital applications the signal should not degrade up to the fifth harmonic of the digital signal. The frequency bandwidth should be at least five times the maximum digital clock rate. This component of the signal is very important in determining the overall shape of the digital signal. In the case of the LSF family, a digital clock frequency of greater than 100 MHz can be achieved.

The LSF family does not provide any drive capability. Therefore higher frequency applications will require higher drive strength from the host side. No pull-up resistor is needed on the host side (3.3 V) if the LSF family is being driven by standard CMOS totem pole output driver. Ideally, it is best to minimize the trace length from the LSF family on the sink side (1.8 V) to minimize signal degradation.

All fast edges have an infinite spectrum of frequency components; however, there is an inflection (or knee) in the frequency spectrum of fast edges where frequency components higher than  $f_{knee}$  are insignificant in determining the shape of the signal.

To calculate the maximum practical frequency component, or the knee frequency ( $f_{knee}$ ), use the following equations:

$$f_{knee} = 0.5 / RT \text{ (10 – 80\%)} \quad (2)$$

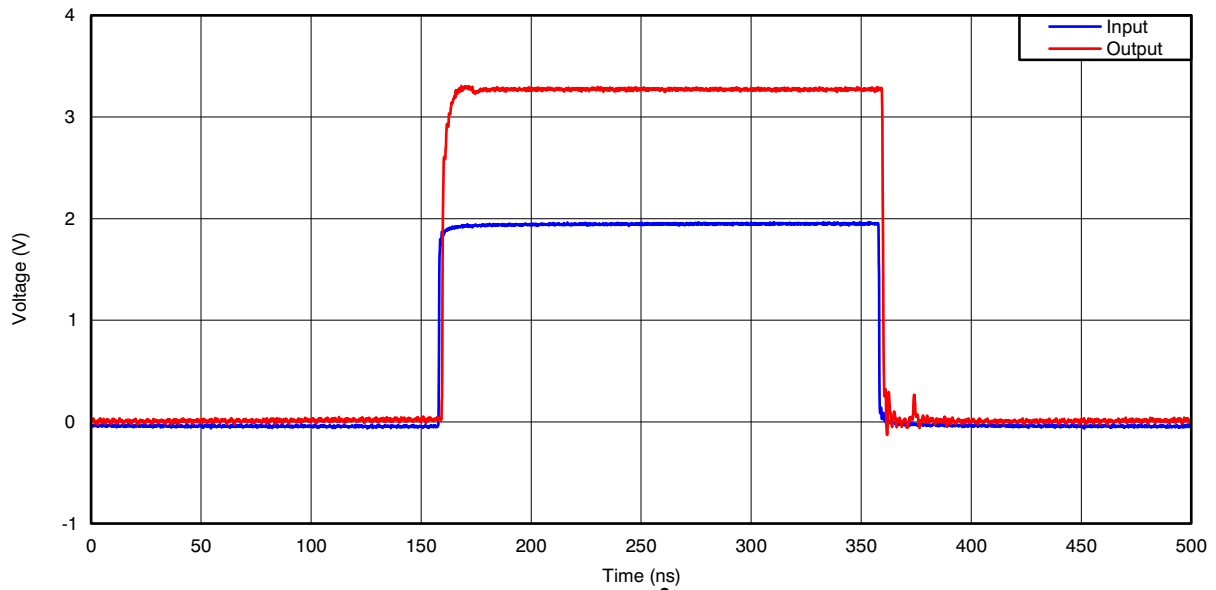
$$f_{knee} = 0.4 / RT \text{ (20 – 80\%)} \quad (3)$$

For signals with rise time characteristics based on 10% to 90% thresholds,  $f_{knee}$  is equal to 0.5 divided by the rise time of the signal. For signals with rise time characteristics based on 20% to 80% thresholds, which is very common in many of today's device specifications,  $f_{knee}$  is equal to 0.4 divided by the rise time of the signal.

Some guidelines to follow that will help maximize the performance of the device:

- Keep trace length to a minimum by placing the LSF family close to the I<sup>2</sup>C output of the processor.
- The trace length should be less than half the time of flight to reduce ringing and line reflections or non-monotonic behavior in the switching region.
- To reduce overshoots, a pull-up resistor can be added on the 1.8 V side; be aware that a slower fall time is to be expected.

**9.2.1.3 Application Curve**



**Figure 8. Captured Waveform From Above I<sup>2</sup>C Set-Up (1.8 V to 3.3 V at 2.5 MHz)**

9.2.2 MDIO

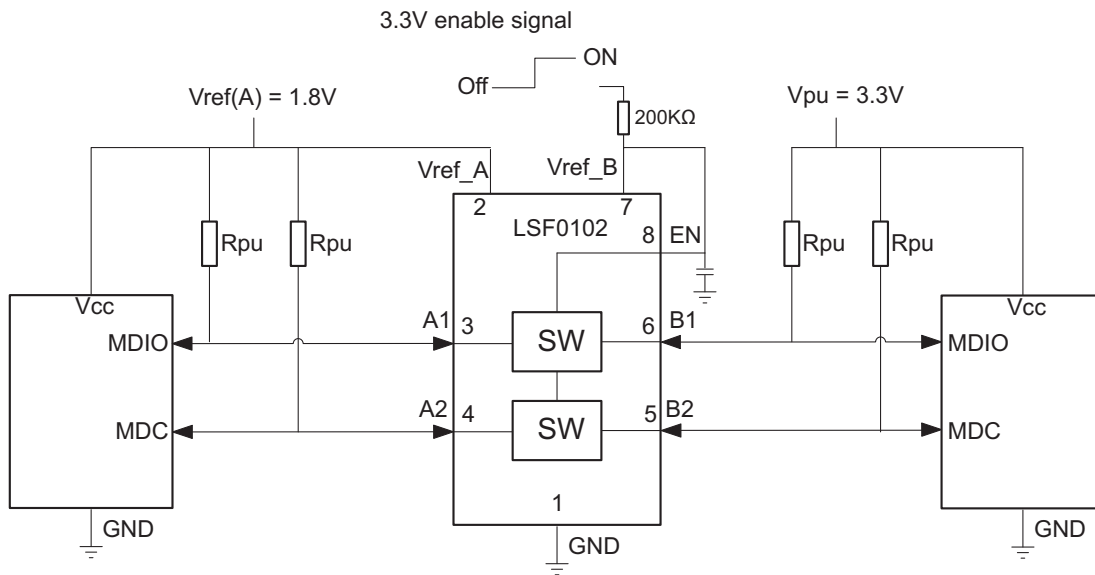


Figure 9. Typical Application Circuit (MDIO/Bidirectional Interface)

9.2.2.1 Design Requirements

Refer to [Design Requirements](#).

9.2.2.2 Detailed Design Procedure

Refer to [Detailed Design Procedure](#).

9.2.2.3 Application Curve

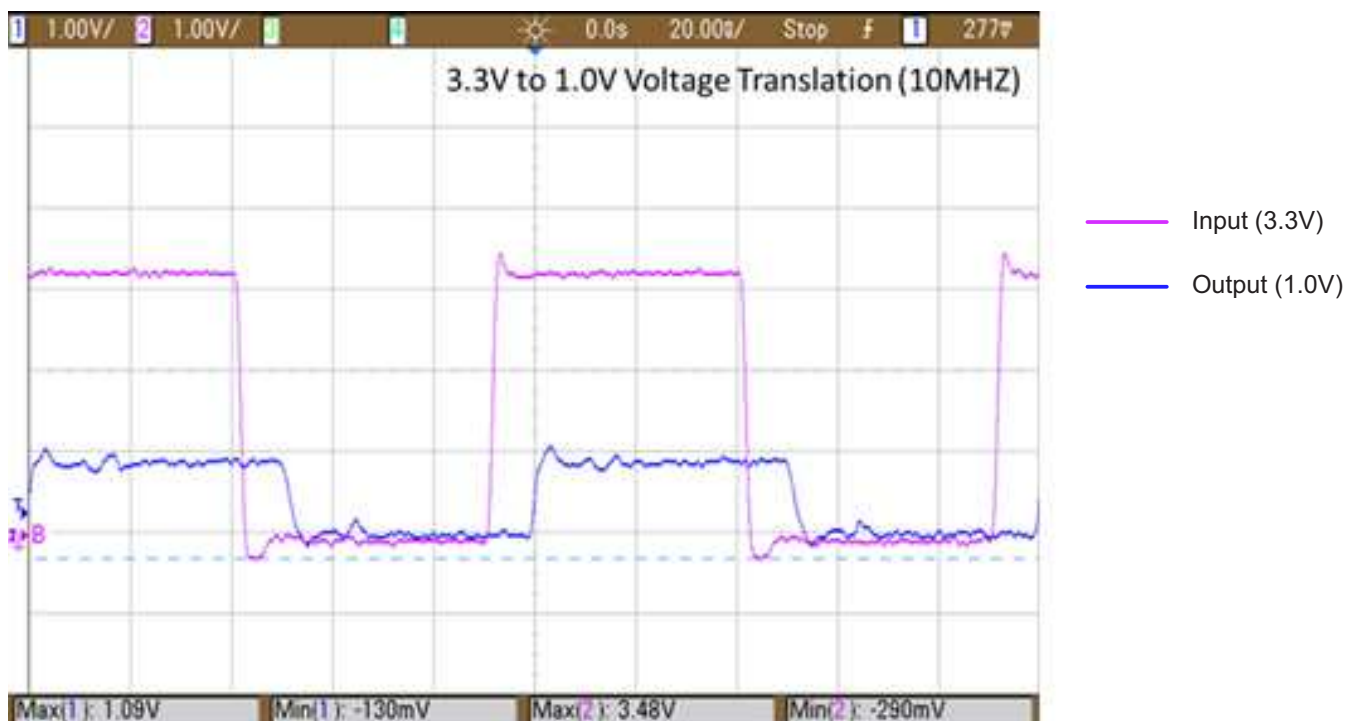
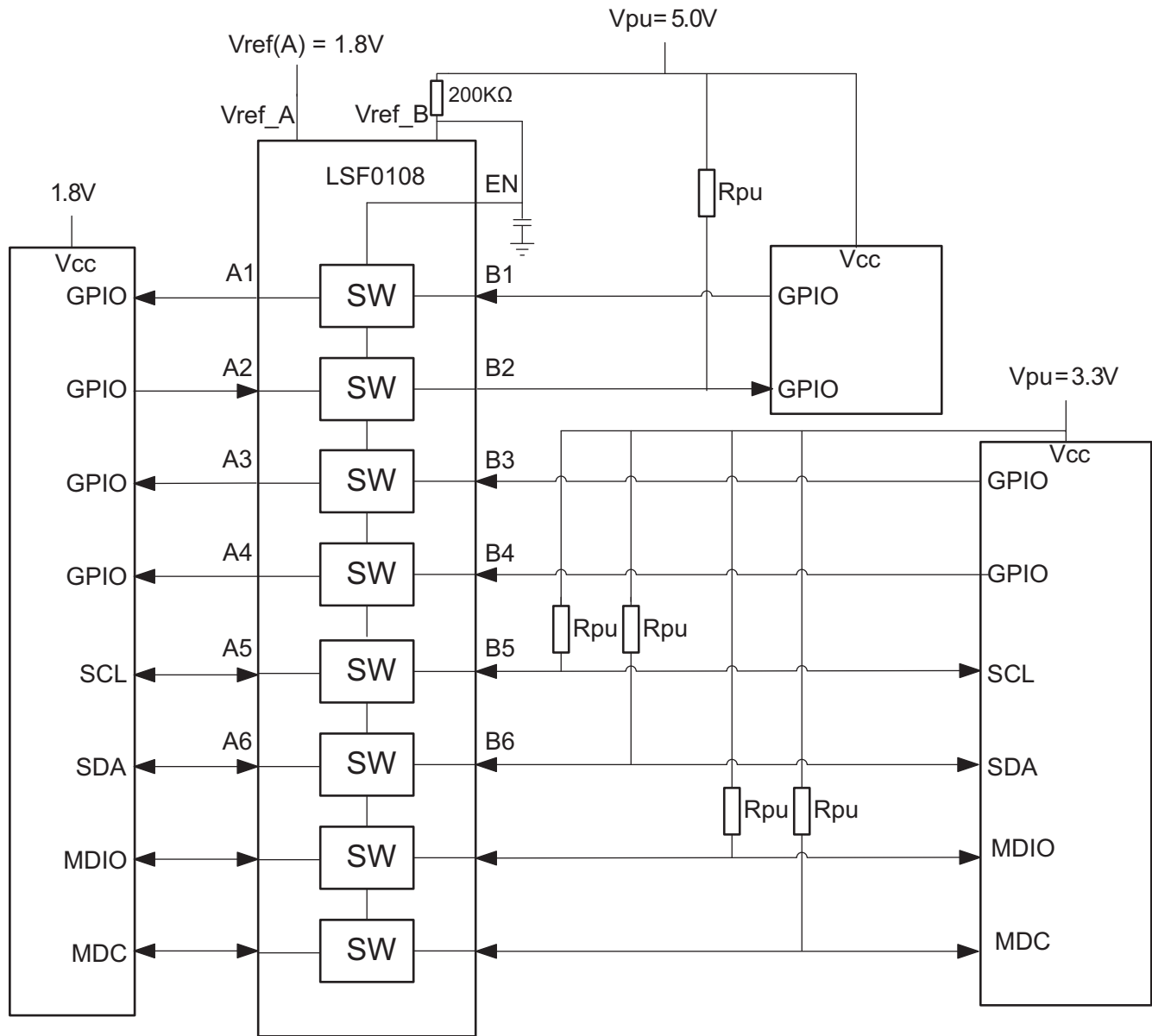


Figure 10. Captured Waveform From Above MDIO Setup



### 9.2.3 Multiple Voltage Translation in Single Device



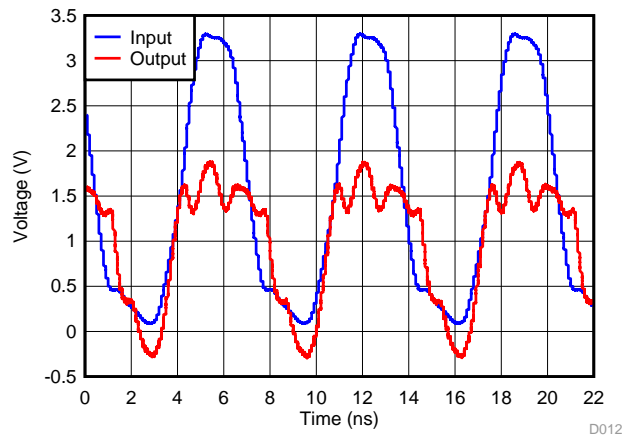
#### 9.2.3.1 Design Requirements

Refer to [Design Requirements](#).

#### 9.2.3.2 Detailed Design Procedure

Refer to [Detailed Design Procedure](#).

**9.2.3.3 Application Curve**



**Figure 11. Translation Down (3.3 to 1.8 V) at 150 MHz**

## 10 Power Supply Recommendations

There are no power sequence requirements for the LSF family. For enable and reference voltage guidelines, please refer to the [Enable, Disable, and Reference Voltage Guidelines](#).

## 11 Layout

### 11.1 Layout Guidelines

Because the LSF family is a switch-type level translator, the signal integrity is highly related with a pull-up resistor and PCB capacitance condition.

- Short signal trace as possible to reduce capacitance and minimize stub from pull-up resistor.
- Place LSF close to high voltage side.
- Select the appropriate pull-up resistor that applies to translation levels and driving capability of transmitter.

### 11.2 Layout Example

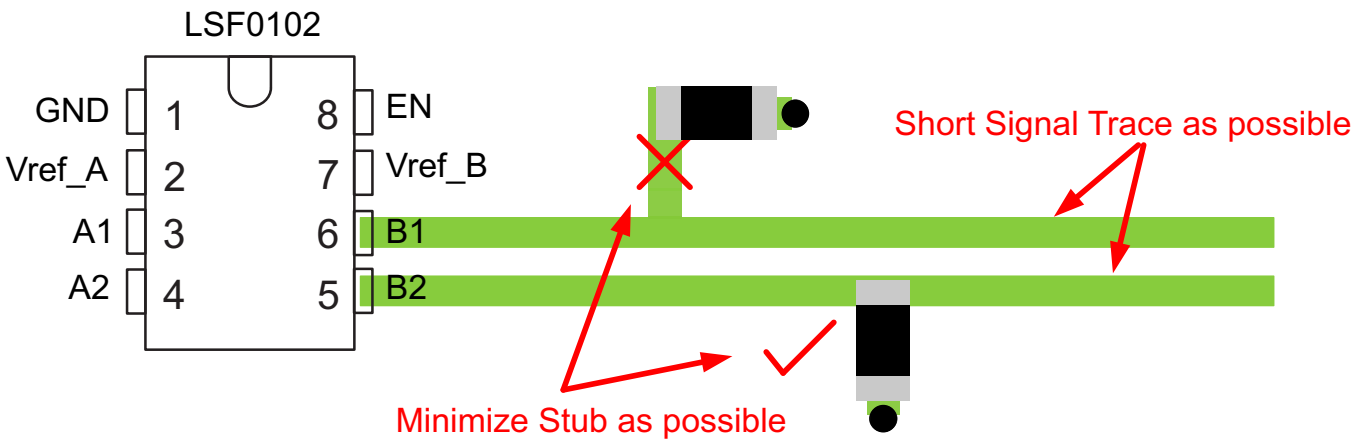


Figure 12. Short Trace Layout

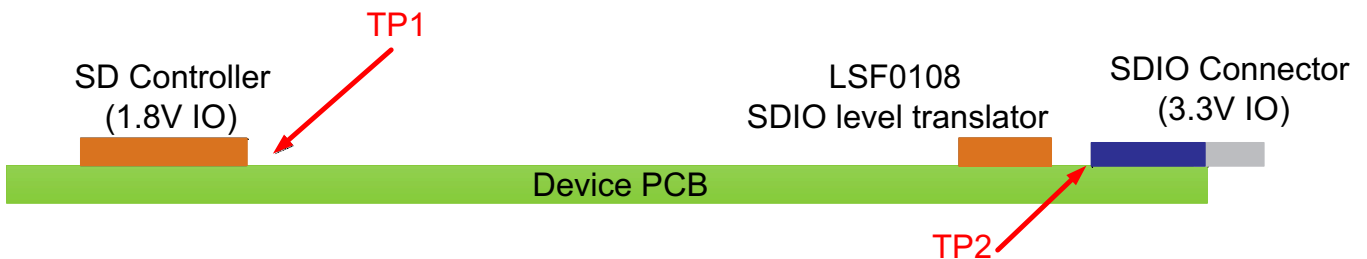
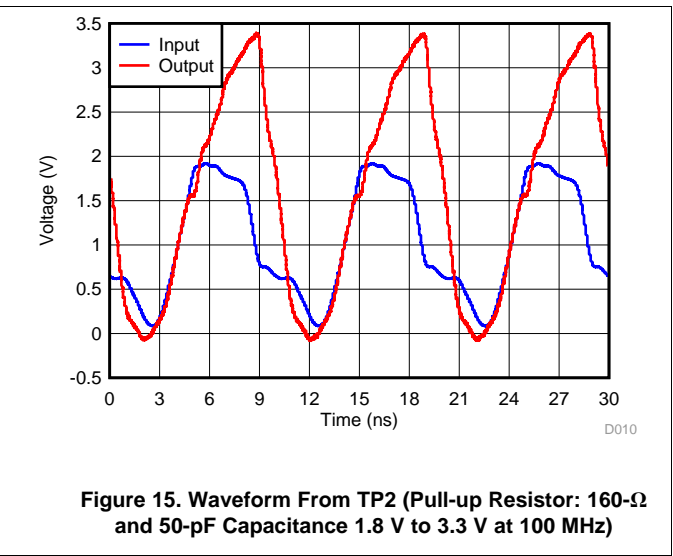
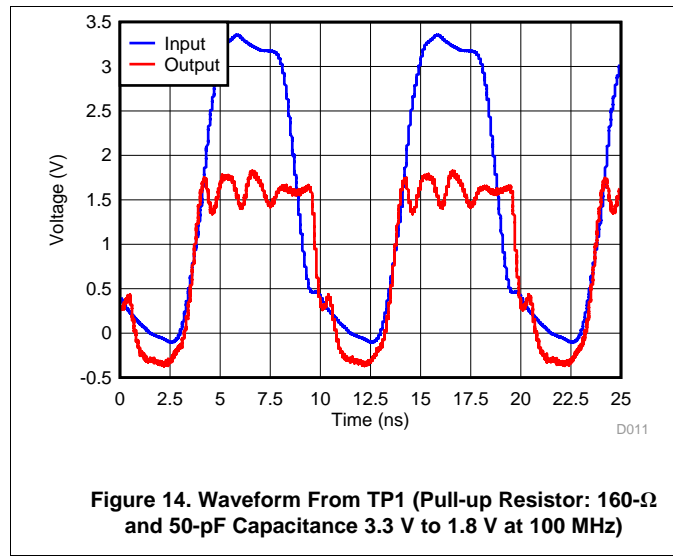


Figure 13. Device Placement

**Layout Example (continued)**


## 12 Device and Documentation Support

### 12.1 Related Links

The table below lists quick access links. Categories include technical documents, support and community resources, tools and software, and quick access to sample or buy.

**Table 5. Related Links**

PARTS	PRODUCT FOLDER	SAMPLE & BUY	TECHNICAL DOCUMENTS	TOOLS & SOFTWARE	SUPPORT & COMMUNITY
LSF0101	<a href="#">Click here</a>	<a href="#">Click here</a>	<a href="#">Click here</a>	<a href="#">Click here</a>	<a href="#">Click here</a>
LSF0102	<a href="#">Click here</a>	<a href="#">Click here</a>	<a href="#">Click here</a>	<a href="#">Click here</a>	<a href="#">Click here</a>
LSF0108	<a href="#">Click here</a>	<a href="#">Click here</a>	<a href="#">Click here</a>	<a href="#">Click here</a>	<a href="#">Click here</a>

### 12.2 Community Resources

The following links connect to TI community resources. Linked contents are provided "AS IS" by the respective contributors. They do not constitute TI specifications and do not necessarily reflect TI's views; see TI's [Terms of Use](#).

**TI E2E™ Online Community** *TI's Engineer-to-Engineer (E2E) Community*. Created to foster collaboration among engineers. At [e2e.ti.com](http://e2e.ti.com), you can ask questions, share knowledge, explore ideas and help solve problems with fellow engineers.

**Design Support** *TI's Design Support* Quickly find helpful E2E forums along with design support tools and contact information for technical support.

### 12.3 Trademarks

E2E is a trademark of Texas Instruments.

All other trademarks are the property of their respective owners.

### 12.4 Electrostatic Discharge Caution



These devices have limited built-in ESD protection. The leads should be shorted together or the device placed in conductive foam during storage or handling to prevent electrostatic damage to the MOS gates.

### 12.5 Glossary

[SLYZ022](#) — *TI Glossary*.

This glossary lists and explains terms, acronyms, and definitions.

## 13 Mechanical, Packaging, and Orderable Information

The following pages include mechanical, packaging, and orderable information. This information is the most current data available for the designated devices. This data is subject to change without notice and revision of this document. For browser-based versions of this data sheet, refer to the left-hand navigation.

**PACKAGING INFORMATION**

Orderable Device	Status (1)	Package Type	Package Drawing	Pins	Package Qty	Eco Plan (2)	Lead/Ball Finish (6)	MSL Peak Temp (3)	Op Temp (°C)	Device Marking (4/5)	Samples
LSF0101DRYR	ACTIVE	SON	DRY	6	5000	Green (RoHS & no Sb/Br)	CU NIPDAU	Level-1-260C-UNLIM	-40 to 125	VD	<a href="#">Samples</a>
LSF0102DCTR	ACTIVE	SM8	DCT	8	3000	Green (RoHS & no Sb/Br)	CU NIPDAU	Level-1-260C-UNLIM	-40 to 125	NG2 (S ~ Y)	<a href="#">Samples</a>
LSF0102DCUR	ACTIVE	VSSOP	DCU	8	3000	Green (RoHS & no Sb/Br)	CU NIPDAU   CU SN	Level-1-260C-UNLIM	-40 to 125	(G2 ~ NG2P ~ NG2S) NY	<a href="#">Samples</a>
LSF0102DQER	ACTIVE	X2SON	DQE	8	5000	Green (RoHS & no Sb/Br)	CU NIPDAU	Level-1-260C-UNLIM	-40 to 125	RV	<a href="#">Samples</a>
LSF0102YZTR	ACTIVE	DSBGA	YZT	8	3000	Green (RoHS & no Sb/Br)	SNAGCU	Level-1-260C-UNLIM	-40 to 125	RV	<a href="#">Samples</a>
LSF0108PWR	ACTIVE	TSSOP	PW	20	2000	Green (RoHS & no Sb/Br)	CU SN	Level-1-260C-UNLIM	-40 to 125	LSF0108	<a href="#">Samples</a>
LSF0108RKS	ACTIVE	VQFN	RKS	20	3000	Green (RoHS & no Sb/Br)	CU NIPDAU	Level-1-260C-UNLIM	-40 to 125	LSF0108	<a href="#">Samples</a>

(1) The marketing status values are defined as follows:

**ACTIVE:** Product device recommended for new designs.

**LIFEBUY:** TI has announced that the device will be discontinued, and a lifetime-buy period is in effect.

**NRND:** Not recommended for new designs. Device is in production to support existing customers, but TI does not recommend using this part in a new design.

**PREVIEW:** Device has been announced but is not in production. Samples may or may not be available.

**OBSELETE:** TI has discontinued the production of the device.

(2) **RoHS:** TI defines "RoHS" to mean semiconductor products that are compliant with the current EU RoHS requirements for all 10 RoHS substances, including the requirement that RoHS substance do not exceed 0.1% by weight in homogeneous materials. Where designed to be soldered at high temperatures, "RoHS" products are suitable for use in specified lead-free processes. TI may reference these types of products as "Pb-Free".

**RoHS Exempt:** TI defines "RoHS Exempt" to mean products that contain lead but are compliant with EU RoHS pursuant to a specific EU RoHS exemption.

**Green:** TI defines "Green" to mean the content of Chlorine (Cl) and Bromine (Br) based flame retardants meet JS709B low halogen requirements of <=100ppm threshold. Antimony trioxide based flame retardants must also meet the <=1000ppm threshold requirement.

(3) MSL, Peak Temp. - The Moisture Sensitivity Level rating according to the JEDEC industry standard classifications, and peak solder temperature.

(4) There may be additional marking, which relates to the logo, the lot trace code information, or the environmental category on the device.

(5) Multiple Device Markings will be inside parentheses. Only one Device Marking contained in parentheses and separated by a "-" will appear on a device. If a line is indented then it is a continuation of the previous line and the two combined represent the entire Device Marking for that device.

<sup>(6)</sup> Lead/Ball Finish - Orderable Devices may have multiple material finish options. Finish options are separated by a vertical ruled line. Lead/Ball Finish values may wrap to two lines if the finish value exceeds the maximum column width.

**Important Information and Disclaimer:**The information provided on this page represents TI's knowledge and belief as of the date that it is provided. TI bases its knowledge and belief on information provided by third parties, and makes no representation or warranty as to the accuracy of such information. Efforts are underway to better integrate information from third parties. TI has taken and continues to take reasonable steps to provide representative and accurate information but may not have conducted destructive testing or chemical analysis on incoming materials and chemicals. TI and TI suppliers consider certain information to be proprietary, and thus CAS numbers and other limited information may not be available for release.

In no event shall TI's liability arising out of such information exceed the total purchase price of the TI part(s) at issue in this document sold by TI to Customer on an annual basis.

**OTHER QUALIFIED VERSIONS OF LSF0108 :**

- Automotive: [LSF0108-Q1](#)

NOTE: Qualified Version Definitions:

- Automotive - Q100 devices qualified for high-reliability automotive applications targeting zero defects

**TAPE AND REEL INFORMATION**

**QUADRANT ASSIGNMENTS FOR PIN 1 ORIENTATION IN TAPE**


\*All dimensions are nominal

Device	Package Type	Package Drawing	Pins	SPQ	Reel Diameter (mm)	Reel Width W1 (mm)	A0 (mm)	B0 (mm)	K0 (mm)	P1 (mm)	W (mm)	Pin1 Quadrant
LSF0101DRYR	SON	DRY	6	5000	180.0	9.5	1.15	1.6	0.75	4.0	8.0	Q1
LSF0102DCTR	SM8	DCT	8	3000	180.0	13.0	3.35	4.5	1.55	4.0	12.0	Q3
LSF0102DCUR	VSSOP	DCU	8	3000	180.0	8.4	2.25	3.35	1.05	4.0	8.0	Q3
LSF0102DCUR	VSSOP	DCU	8	3000	180.0	9.0	2.05	3.3	1.0	4.0	8.0	Q3
LSF0102DQER	X2SON	DQE	8	5000	180.0	9.5	1.15	1.6	0.5	4.0	8.0	Q1
LSF0102YZTR	DSBGA	YZT	8	3000	180.0	8.4	1.02	2.02	0.75	4.0	8.0	Q1
LSF0108PWR	TSSOP	PW	20	2000	330.0	16.4	6.95	7.1	1.6	8.0	16.0	Q1
LSF0108RKSR	VQFN	RKS	20	3000	177.8	12.4	2.73	4.85	1.03	4.0	12.0	Q1



**TAPE AND REEL BOX DIMENSIONS**


\*All dimensions are nominal

Device	Package Type	Package Drawing	Pins	SPQ	Length (mm)	Width (mm)	Height (mm)
LSF0101DRYR	SON	DRY	6	5000	184.0	184.0	19.0
LSF0102DCTR	SM8	DCT	8	3000	182.0	182.0	20.0
LSF0102DCUR	VSSOP	DCU	8	3000	202.0	201.0	28.0
LSF0102DCUR	VSSOP	DCU	8	3000	182.0	182.0	20.0
LSF0102DQER	X2SON	DQE	8	5000	184.0	184.0	19.0
LSF0102YZTR	DSBGA	YZT	8	3000	182.0	182.0	20.0
LSF0108PWR	TSSOP	PW	20	2000	364.0	364.0	27.0
LSF0108RKS	VQFN	RKS	20	3000	202.0	201.0	28.0

PW (R-PDSO-G20)

PLASTIC SMALL OUTLINE



4040064-5/G 02/11

- NOTES:
- A. All linear dimensions are in millimeters. Dimensioning and tolerancing per ASME Y14.5M-1994.
  - B. This drawing is subject to change without notice.
  -  C. Body length does not include mold flash, protrusions, or gate burrs. Mold flash, protrusions, or gate burrs shall not exceed 0,15 each side.
  -  D. Body width does not include interlead flash. Interlead flash shall not exceed 0,25 each side.
  - E. Falls within JEDEC MO-153

PW (R-PDSO-G20)

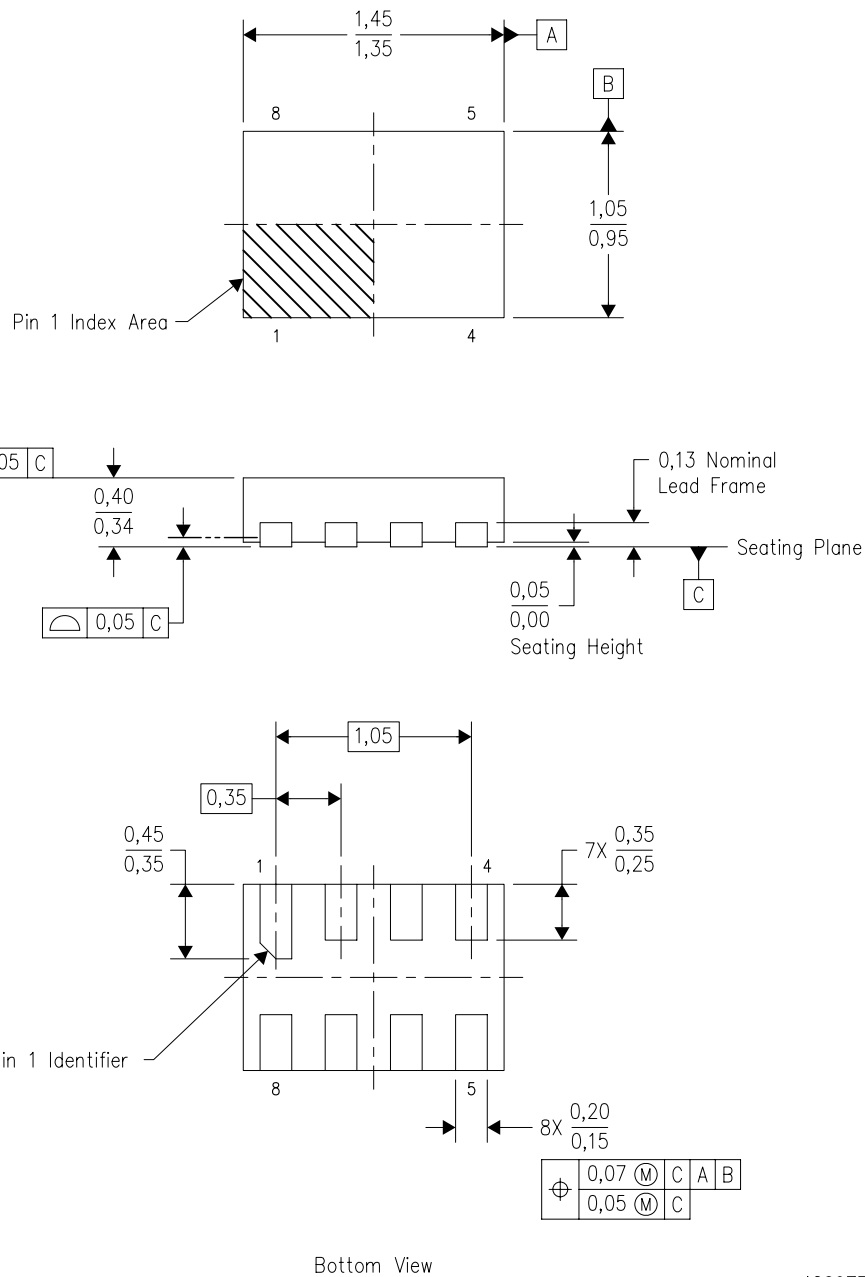
PLASTIC SMALL OUTLINE



- NOTES:
- A. All linear dimensions are in millimeters.
  - B. This drawing is subject to change without notice.
  - C. Publication IPC-7351 is recommended for alternate design.
  - D. Laser cutting apertures with trapezoidal walls and also rounding corners will offer better paste release. Customers should contact their board assembly site for stencil design recommendations. Refer to IPC-7525 for other stencil recommendations.
  - E. Customers should contact their board fabrication site for solder mask tolerances between and around signal pads.

DQE (R-PX2SON-N8)

PLASTIC SMALL OUTLINE NO-LEAD

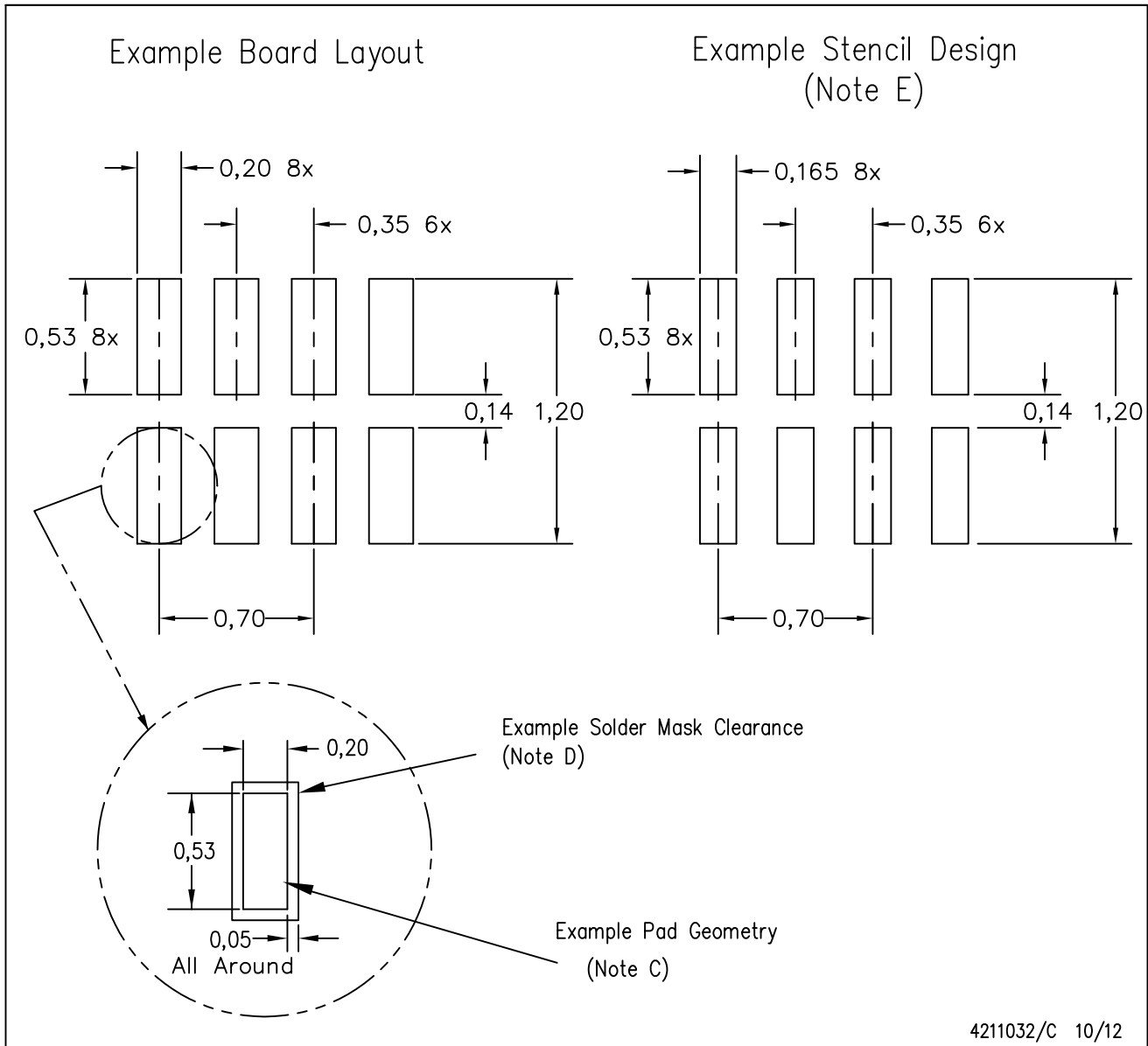


4209779/B 10/2008

- NOTES:
- A. All linear dimensions are in millimeters. Dimensioning and tolerancing per ASME Y14.5M-1994.
  - B. This drawing is subject to change without notice.
  - C. SON (Small Outline No-Lead) package configuration.
  - D. This package complies to JEDEC MO-287 variation X2EAF.

DQE (R-PX2SON-N8)

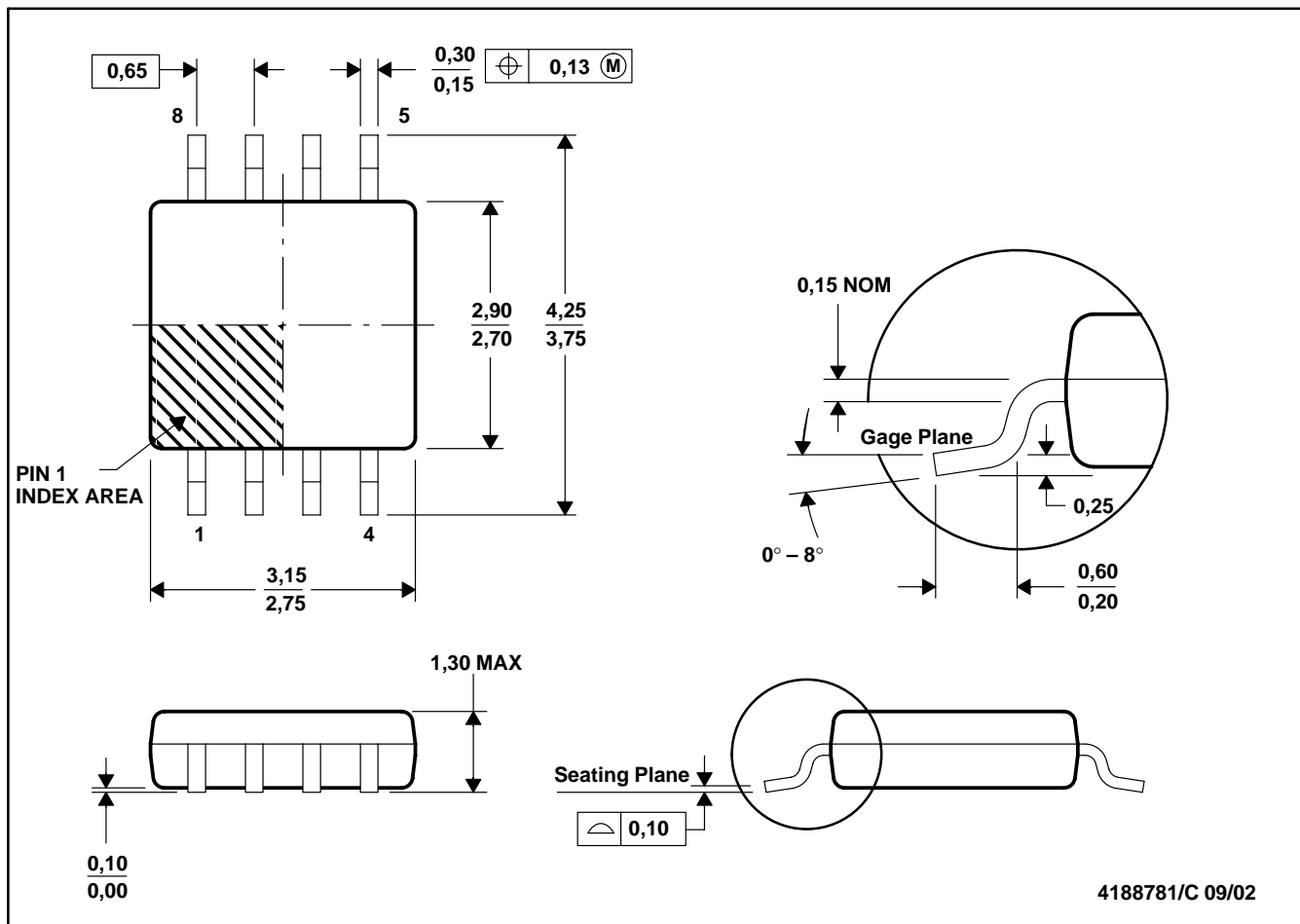
PLASTIC SMALL OUTLINE NO-LEAD



- NOTES:
- A. All linear dimensions are in millimeters.
  - B. This drawing is subject to change without notice.
  - C. Publication IPC-7351 is recommended for alternate designs.
  - D. Customers should contact their board fabrication site for minimum solder mask web tolerances between signal pads.  
If 2 mil solder mask is outside PCB vendor capability, it is advised to omit solder mask.
  - E. Maximum stencil thickness 0,1016 mm (4 mils). All linear dimensions are in millimeters.
  - F. Laser cutting apertures with trapezoidal walls and also rounding corners will offer better paste release. Customers should contact their board assembly site for stencil design recommendations. Refer to IPC 7525 for stencil design considerations.
  - G. Over-printing land for acceptable area ratio is not viable due to land width and bridging potential. Customer may further reduce side aperture dimensions if stencil manufacturing process allows for sufficient release at smaller opening.
  - H. Suggest stencils cut with lasers such as Fiber Laser that produce the greatest positional accuracy.
  - I. Component placement force should be minimized to prevent excessive paste block deformation.

DCT (R-PDSO-G8)

PLASTIC SMALL-OUTLINE PACKAGE

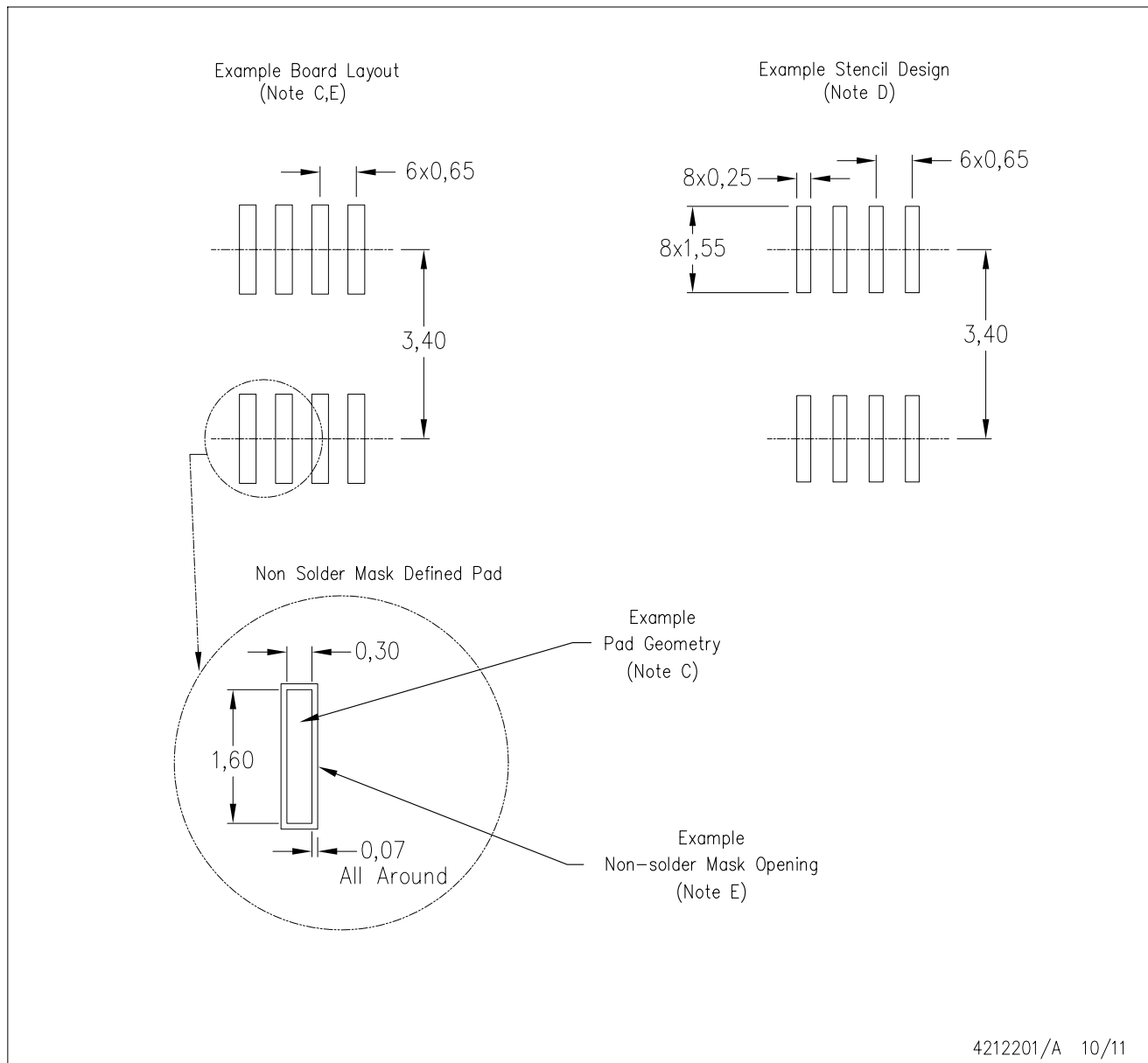


4188781/C 09/02

- NOTES:
- A. All linear dimensions are in millimeters.
  - B. This drawing is subject to change without notice.
  - C. Body dimensions do not include mold flash or protrusion
  - D. Falls within JEDEC MO-187 variation DA.

DCT (R-PDSO-G8)

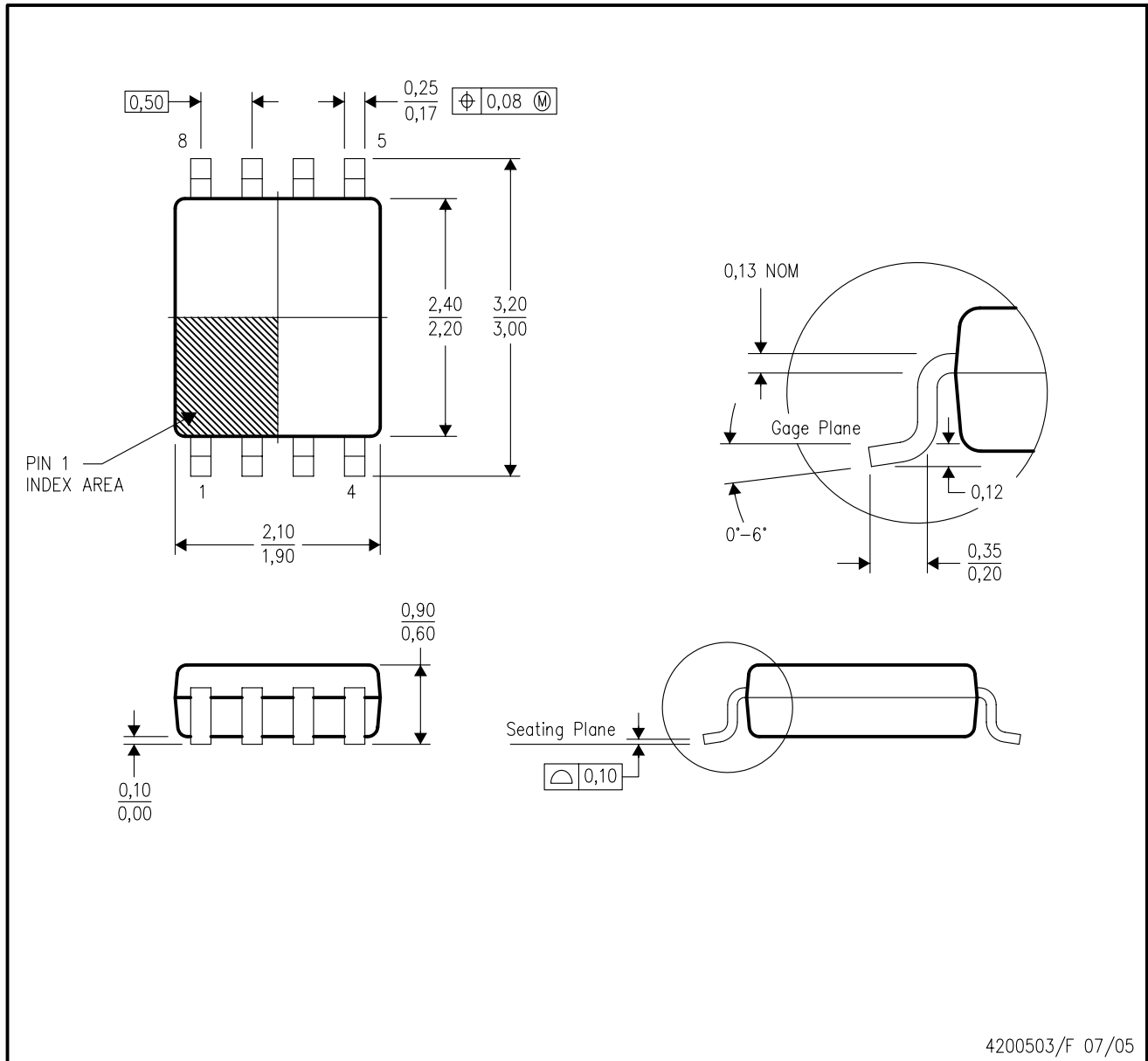
PLASTIC SMALL OUTLINE



- NOTES:
- A. All linear dimensions are in millimeters.
  - B. This drawing is subject to change without notice.
  - C. Publication IPC-7351 is recommended for alternate designs.
  - D. Laser cutting apertures with trapezoidal walls and also rounding corners will offer better paste release. Customers should contact their board assembly site for stencil design recommendations. Refer to IPC-7525.
  - E. Customers should contact their board fabrication site for solder mask tolerances between and around signal pads.

DCU (R-PDSO-G8)

PLASTIC SMALL-OUTLINE PACKAGE (DIE DOWN)



- NOTES:
- A. All linear dimensions are in millimeters.
  - B. This drawing is subject to change without notice.
  - C. Body dimensions do not include mold flash or protrusion. Mold flash and protrusion shall not exceed 0.15 per side.
  - D. Falls within JEDEC MO-187 variation CA.



DCU (S-PDSO-G8)

PLASTIC SMALL OUTLINE PACKAGE (DIE DOWN)



- NOTES:
- A. All linear dimensions are in millimeters.
  - B. This drawing is subject to change without notice.
  - C. Publication IPC-7351 is recommended for alternate designs.
  - D. Laser cutting apertures with trapezoidal walls and also rounding corners will offer better paste release. Customers should contact their board assembly site for stencil design recommendations. Refer to IPC-7525 for other stencil recommendations.
  - E. Customers should contact their board fabrication site for solder mask tolerances between and around signal pads.

## GENERIC PACKAGE VIEW

**DRY 6**

**USON - 0.6 mm max height**

PLASTIC SMALL OUTLINE - NO LEAD



Images above are just a representation of the package family, actual package may vary.  
Refer to the product data sheet for package details.

4207181/G

DRY0006A



# PACKAGE OUTLINE

USON - 0.6 mm max height

PLASTIC SMALL OUTLINE - NO LEAD



4222894/A 01/2018

NOTES:

1. All linear dimensions are in millimeters. Any dimensions in parenthesis are for reference only. Dimensioning and tolerancing per ASME Y14.5M.
2. This drawing is subject to change without notice.

# EXAMPLE BOARD LAYOUT

DRY0006A

USON - 0.6 mm max height

PLASTIC SMALL OUTLINE - NO LEAD



LAND PATTERN EXAMPLE  
1:1 RATIO WITH PKG SOLDER PADS  
EXPOSED METAL SHOWN  
SCALE:40X



SOLDER MASK DETAILS

4222894/A 01/2018

NOTES: (continued)

3. For more information, see QFN/SON PCB application report in literature No. SLUA271 ([www.ti.com/lit/slua271](http://www.ti.com/lit/slua271)).

# EXAMPLE STENCIL DESIGN

DRY0006A

USON - 0.6 mm max height

PLASTIC SMALL OUTLINE - NO LEAD



SOLDER PASTE EXAMPLE  
BASED ON 0.075 - 0.1 mm THICK STENCIL  
SCALE:40X

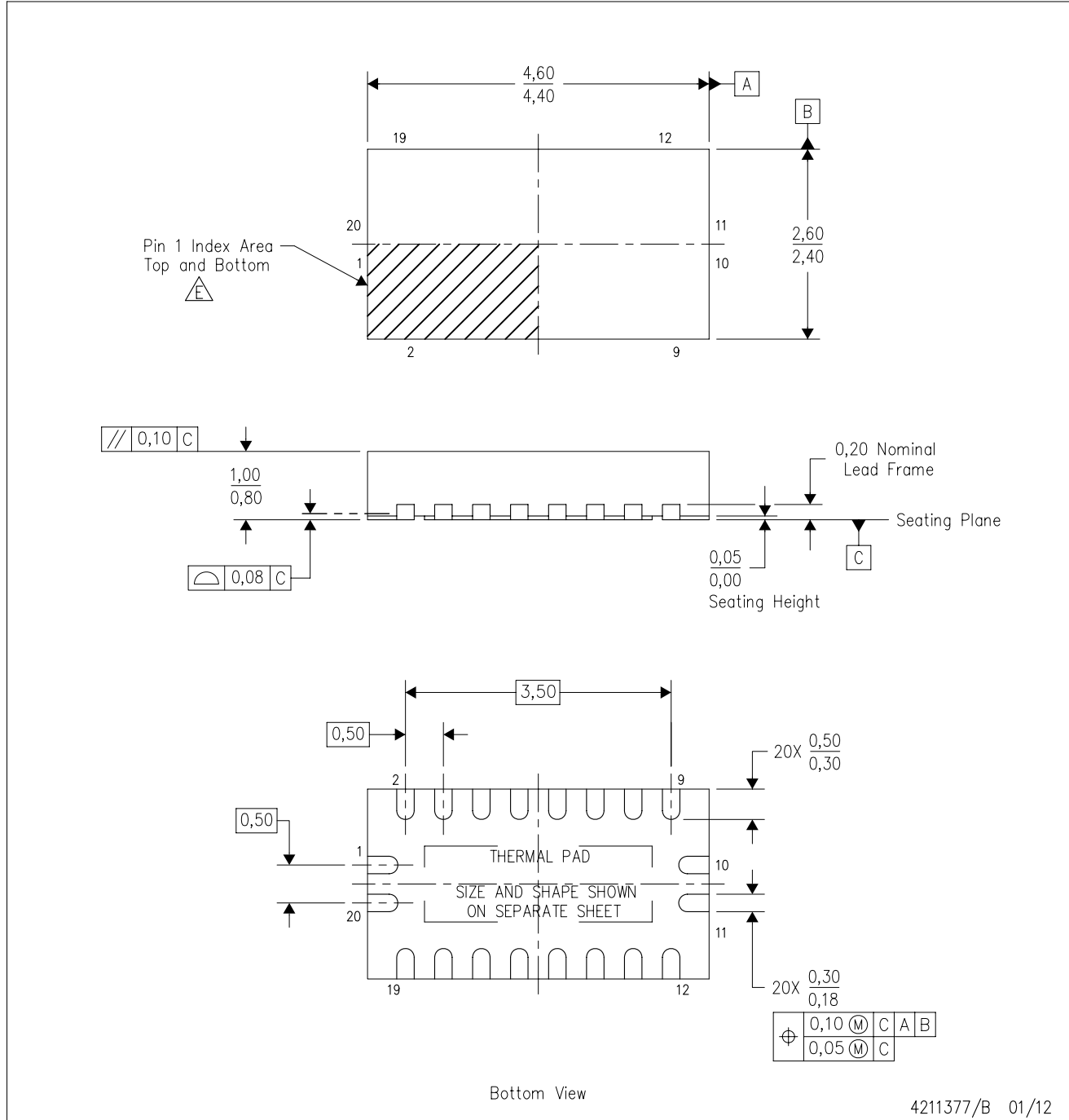
4222894/A 01/2018

NOTES: (continued)

4. Laser cutting apertures with trapezoidal walls and rounded corners may offer better paste release. IPC-7525 may have alternate design recommendations.

RKS (R-PVQFN-N20)

PLASTIC QUAD FLATPACK NO-LEAD



- NOTES:
- All linear dimensions are in millimeters. Dimensioning and tolerancing per ASME Y14.5M-1994.
  - This drawing is subject to change without notice.
  - QFN (Quad Flatpack No-Lead) package configuration.
  - The package thermal pad must be soldered to the board for thermal and mechanical performance.
  - See the additional figure in the Product Data Sheet for details regarding the exposed thermal pad features and dimensions.
- △ Pin 1 identifiers are located on both top and bottom of the package and within the zone indicated. The Pin 1 identifiers are either a molded, marked, or metal feature.

# THERMAL PAD MECHANICAL DATA

RKS (R-PVQFN-N20)

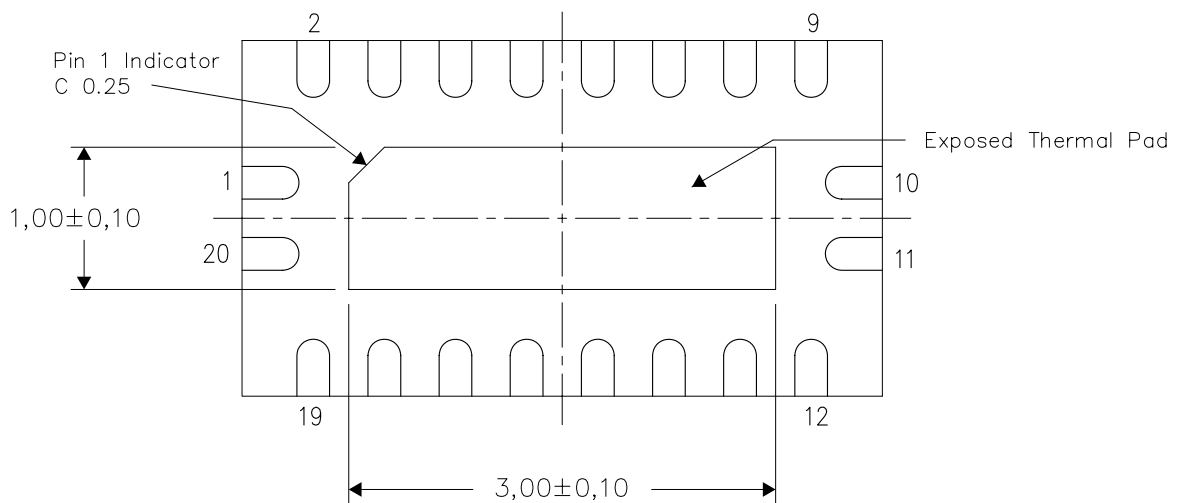
PLASTIC QUAD FLATPACK NO-LEAD

## THERMAL INFORMATION

This package incorporates an exposed thermal pad that is designed to be attached directly to an external heatsink. The thermal pad must be soldered directly to the printed circuit board (PCB). After soldering, the PCB can be used as a heatsink. In addition, through the use of thermal vias, the thermal pad can be attached directly to the appropriate copper plane shown in the electrical schematic for the device, or alternatively, can be attached to a special heatsink structure designed into the PCB. This design optimizes the heat transfer from the integrated circuit (IC).

For information on the Quad Flatpack No-Lead (QFN) package and its advantages, refer to Application Report, QFN/SON PCB Attachment, Texas Instruments Literature No. SLUA271. This document is available at [www.ti.com](http://www.ti.com).

The exposed thermal pad dimensions for this package are shown in the following illustration.



Bottom View

Exposed Thermal Pad Dimensions

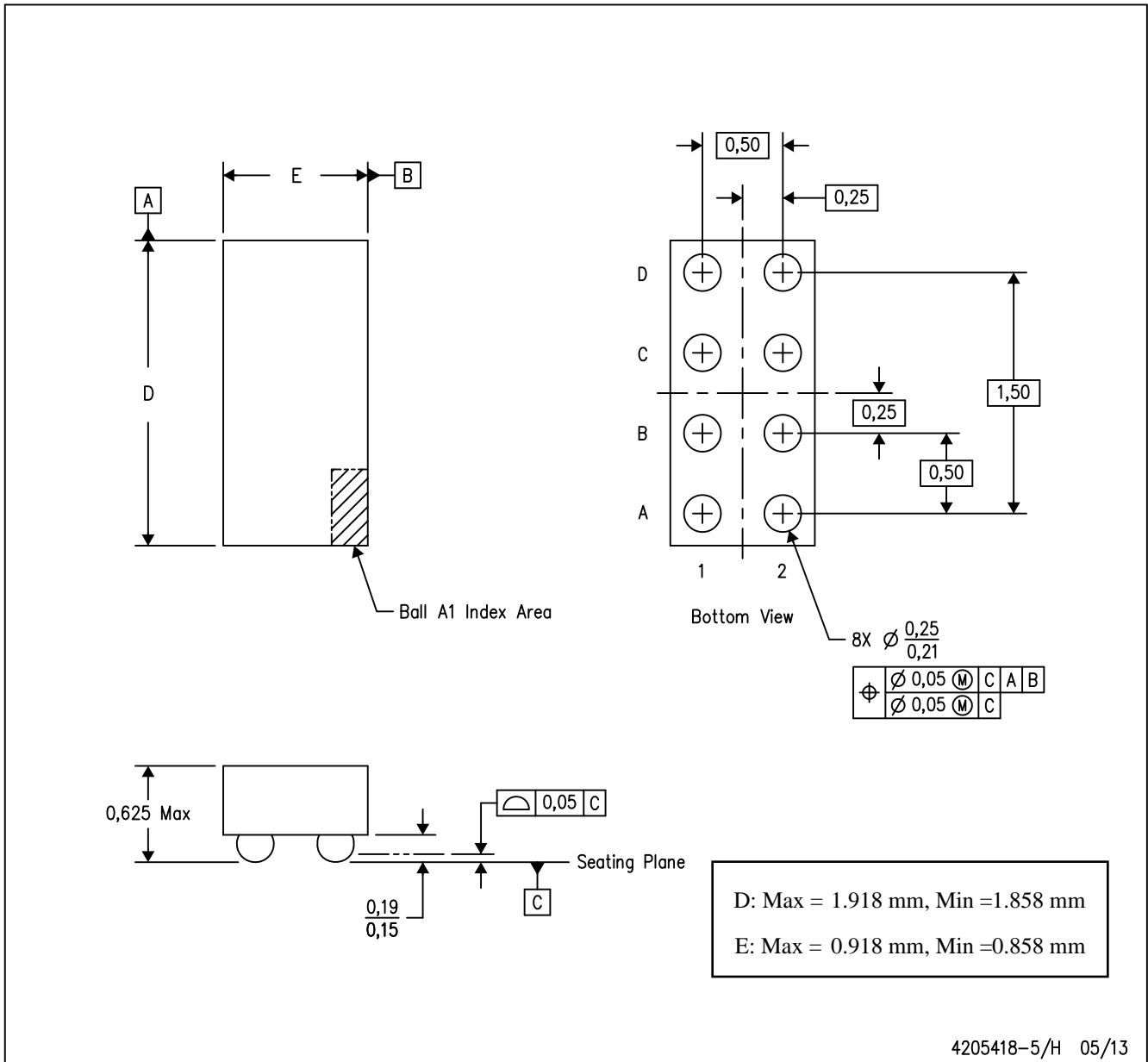
4211394/B 01/12

NOTE: All linear dimensions are in millimeters

# MECHANICAL DATA

YZT (R-XBGA-N8)

DIE-SIZE BALL GRID ARRAY



- NOTES:
- A. All linear dimensions are in millimeters. Dimensioning and tolerancing per ASME Y14.5M-1994.
  - B. This drawing is subject to change without notice.
  - C. NanoFree™ package configuration.

NanoFree is a trademark of Texas Instruments.



## IMPORTANT NOTICE

Texas Instruments Incorporated (TI) reserves the right to make corrections, enhancements, improvements and other changes to its semiconductor products and services per JESD46, latest issue, and to discontinue any product or service per JESD48, latest issue. Buyers should obtain the latest relevant information before placing orders and should verify that such information is current and complete.

TI's published terms of sale for semiconductor products (<http://www.ti.com/sc/docs/stdterms.htm>) apply to the sale of packaged integrated circuit products that TI has qualified and released to market. Additional terms may apply to the use or sale of other types of TI products and services.

Reproduction of significant portions of TI information in TI data sheets is permissible only if reproduction is without alteration and is accompanied by all associated warranties, conditions, limitations, and notices. TI is not responsible or liable for such reproduced documentation. Information of third parties may be subject to additional restrictions. Resale of TI products or services with statements different from or beyond the parameters stated by TI for that product or service voids all express and any implied warranties for the associated TI product or service and is an unfair and deceptive business practice. TI is not responsible or liable for any such statements.

Buyers and others who are developing systems that incorporate TI products (collectively, "Designers") understand and agree that Designers remain responsible for using their independent analysis, evaluation and judgment in designing their applications and that Designers have full and exclusive responsibility to assure the safety of Designers' applications and compliance of their applications (and of all TI products used in or for Designers' applications) with all applicable regulations, laws and other applicable requirements. Designer represents that, with respect to their applications, Designer has all the necessary expertise to create and implement safeguards that (1) anticipate dangerous consequences of failures, (2) monitor failures and their consequences, and (3) lessen the likelihood of failures that might cause harm and take appropriate actions. Designer agrees that prior to using or distributing any applications that include TI products, Designer will thoroughly test such applications and the functionality of such TI products as used in such applications.

TI's provision of technical, application or other design advice, quality characterization, reliability data or other services or information, including, but not limited to, reference designs and materials relating to evaluation modules, (collectively, "TI Resources") are intended to assist designers who are developing applications that incorporate TI products; by downloading, accessing or using TI Resources in any way, Designer (individually or, if Designer is acting on behalf of a company, Designer's company) agrees to use any particular TI Resource solely for this purpose and subject to the terms of this Notice.

TI's provision of TI Resources does not expand or otherwise alter TI's applicable published warranties or warranty disclaimers for TI products, and no additional obligations or liabilities arise from TI providing such TI Resources. TI reserves the right to make corrections, enhancements, improvements and other changes to its TI Resources. TI has not conducted any testing other than that specifically described in the published documentation for a particular TI Resource.

Designer is authorized to use, copy and modify any individual TI Resource only in connection with the development of applications that include the TI product(s) identified in such TI Resource. NO OTHER LICENSE, EXPRESS OR IMPLIED, BY ESTOPPEL OR OTHERWISE TO ANY OTHER TI INTELLECTUAL PROPERTY RIGHT, AND NO LICENSE TO ANY TECHNOLOGY OR INTELLECTUAL PROPERTY RIGHT OF TI OR ANY THIRD PARTY IS GRANTED HEREIN, including but not limited to any patent right, copyright, mask work right, or other intellectual property right relating to any combination, machine, or process in which TI products or services are used. Information regarding or referencing third-party products or services does not constitute a license to use such products or services, or a warranty or endorsement thereof. Use of TI Resources may require a license from a third party under the patents or other intellectual property of the third party, or a license from TI under the patents or other intellectual property of TI.

TI RESOURCES ARE PROVIDED "AS IS" AND WITH ALL FAULTS. TI DISCLAIMS ALL OTHER WARRANTIES OR REPRESENTATIONS, EXPRESS OR IMPLIED, REGARDING RESOURCES OR USE THEREOF, INCLUDING BUT NOT LIMITED TO ACCURACY OR COMPLETENESS, TITLE, ANY EPIDEMIC FAILURE WARRANTY AND ANY IMPLIED WARRANTIES OF MERCHANTABILITY, FITNESS FOR A PARTICULAR PURPOSE, AND NON-INFRINGEMENT OF ANY THIRD PARTY INTELLECTUAL PROPERTY RIGHTS. TI SHALL NOT BE LIABLE FOR AND SHALL NOT DEFEND OR INDEMNIFY DESIGNER AGAINST ANY CLAIM, INCLUDING BUT NOT LIMITED TO ANY INFRINGEMENT CLAIM THAT RELATES TO OR IS BASED ON ANY COMBINATION OF PRODUCTS EVEN IF DESCRIBED IN TI RESOURCES OR OTHERWISE. IN NO EVENT SHALL TI BE LIABLE FOR ANY ACTUAL, DIRECT, SPECIAL, COLLATERAL, INDIRECT, PUNITIVE, INCIDENTAL, CONSEQUENTIAL OR EXEMPLARY DAMAGES IN CONNECTION WITH OR ARISING OUT OF TI RESOURCES OR USE THEREOF, AND REGARDLESS OF WHETHER TI HAS BEEN ADVISED OF THE POSSIBILITY OF SUCH DAMAGES.

Unless TI has explicitly designated an individual product as meeting the requirements of a particular industry standard (e.g., ISO/TS 16949 and ISO 26262), TI is not responsible for any failure to meet such industry standard requirements.

Where TI specifically promotes products as facilitating functional safety or as compliant with industry functional safety standards, such products are intended to help enable customers to design and create their own applications that meet applicable functional safety standards and requirements. Using products in an application does not by itself establish any safety features in the application. Designers must ensure compliance with safety-related requirements and standards applicable to their applications. Designer may not use any TI products in life-critical medical equipment unless authorized officers of the parties have executed a special contract specifically governing such use. Life-critical medical equipment is medical equipment where failure of such equipment would cause serious bodily injury or death (e.g., life support, pacemakers, defibrillators, heart pumps, neurostimulators, and implantables). Such equipment includes, without limitation, all medical devices identified by the U.S. Food and Drug Administration as Class III devices and equivalent classifications outside the U.S.

TI may expressly designate certain products as completing a particular qualification (e.g., Q100, Military Grade, or Enhanced Product). Designers agree that it has the necessary expertise to select the product with the appropriate qualification designation for their applications and that proper product selection is at Designers' own risk. Designers are solely responsible for compliance with all legal and regulatory requirements in connection with such selection.

Designer will fully indemnify TI and its representatives against any damages, costs, losses, and/or liabilities arising out of Designer's non-compliance with the terms and provisions of this Notice.