

6

5

4

3

2

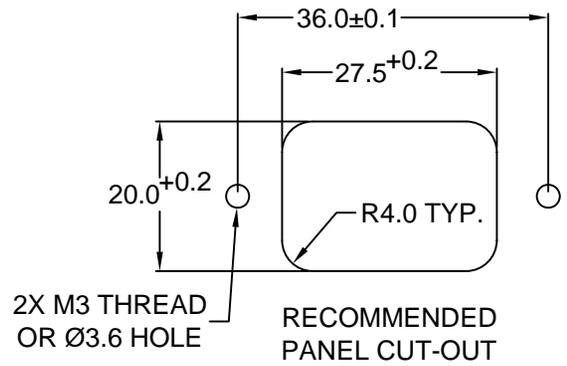
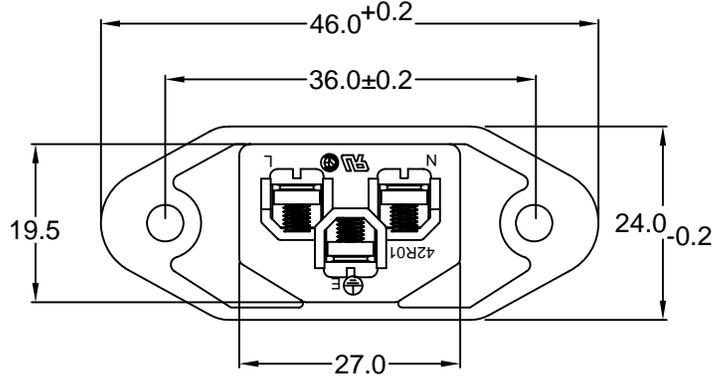
1

**MATERIAL AND FINISH:**

Insulator: Polycarbonate, UL-94V-0 rated  
Contacts: Brass, Nickel plated

**ELECTRICAL SPECIFICATIONS:**

Current rating: 10 A  
Voltage rating: 250 VAC  
Current rating: 15 A  
Voltage rating: 250 VAC



**ORDERING CODE:**

42R01-7    2     
          1    3

**1 = COLOR**

- 1 = BLACK
- 2 = GRAY

**2 = M3x6.0mm  
SCREW TERMINALS**

**3 = ELECTRICAL CIRCUIT  
CONFIGURATION**

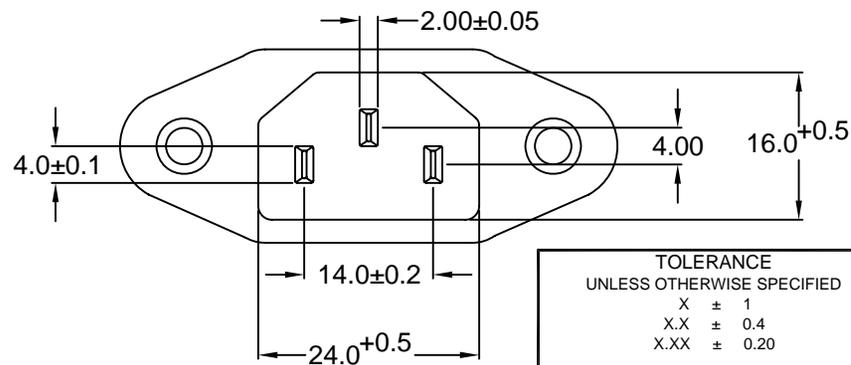
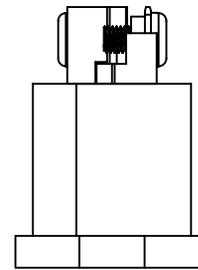
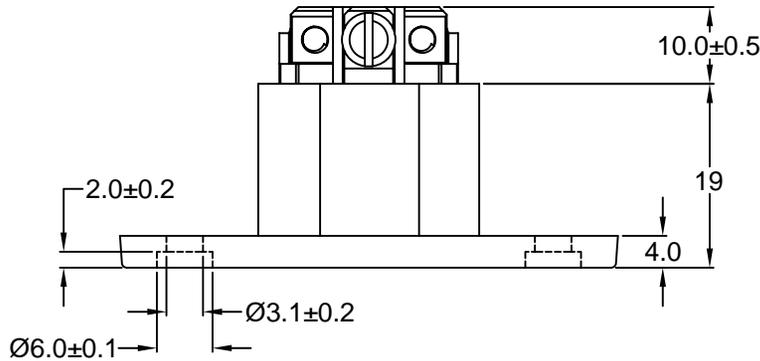
1 = 15A 250V 120°C  
2+GROUND



2 = 15A 250V 70°C  
2+GROUND



4 = 15A 250V 70°C  
2 POLE



RoHS  
COMPLIANT

TOLERANCE UNLESS OTHERWISE SPECIFIED	
X	± 1
X.X	± 0.4
X.XX	± 0.20

**Power Dynamics, Inc.**  
Phone: 973 560-0019 Whippany, New Jersey Fax: 973 560-0076

PART: IEC 60320 C14 APPL. INLET; SCREW  
TERMINALS; SIDE FLANGE

DRAWN BY	GQ	DATE:	08/13/01
CHECK BY	TD	DATE:	08/14/01
APPR BY	PB	DATE:	08/14/01

PART #:	42R01-7X2X	SHEET	1 of 1
SIZE:	A	ALL DIMENSIONS FOR REFERENCE ONLY DIMENSIONS ARE IN MILLIMETERS	
SCALE:	NTS	REV:	

D

C

B

A

REVISIONS	CHANGE	CHK	CHK	APPR
REV	DATE			