

PLEASE CHECK WWW.MOLEX.COM FOR LATEST PART INFORMATION

Part Number: **0365000002**
Status: **Active**
Overview: din_41612
Description: 2.54mm (.100") Pitch DIN 41612 C Style Female Receptacle, Vertical, Through Hole, 0.60µm (24µ") Selective Gold (Au) Plating, 96 Circuits, without Mounting Clips, Solder Tail Length 2.90mm (.114"), No Flux Proof, Lead Free

Documents:

[Drawing \(PDF\)](#) [RoHS Certificate of Compliance \(PDF\)](#)
[Product Specification PS-36500-001 \(PDF\)](#)

General

Product Family	Backplane Connectors
Series	<u>36500</u>
Application	Daughtercard
Comments	No Mounting Clips, Secured with Tubular Rivets/ Cheesehead Screws. No Flux Proof
Component Type	PCB Receptacle
Overview	<u>din_41612</u>
Product Name	IEC 603-2/DIN 41612
Style	C

Physical

Circuits (Loaded)	96
Circuits (maximum)	96
Circuits Detail	1,2,3,...32; a+b+c
Color - Resin	Gray
Durability (mating cycles max)	400
First Mate / Last Break	Yes
Guide to Mating Part	No
Keying to Mating Part	Yes
Material - Metal	Phosphor Bronze
Material - Plating Mating	Gold
Material - Plating Termination	Tin
Material - Resin	Polyester
Number of Columns	32
Number of Pairs	Open Pin Field
Number of Rows	3
Orientation	Vertical
PC Tail Length (in)	0.114 In
PC Tail Length (mm)	2.90 mm
PCB Locator	No
PCB Retention	Yes
PCB Thickness Recommended (in)	0.063 In
PCB Thickness Recommended (mm)	1.60 mm
Packaging Type	Carton
Pitch - Mating Interface (in)	0.100 In
Pitch - Mating Interface (mm)	2.54 mm
Pitch - Term. Interface (in)	0.100 In
Pitch - Term. Interface (mm)	2.54 mm
Plating min: Mating (µin)	24
Plating min: Mating (µm)	0.60
Plating min: Termination (µin)	200
Plating min: Termination (µm)	5.00
Polarized to PCB	Yes
Stackable	No

EU RoHS
ELV and RoHS
Compliant
REACH SVHC
 Not Reviewed
Halogen-Free
Status
Not Reviewed

China RoHS



Need more information on product environmental compliance?

Email productcompliance@molex.com
 For a multiple part number RoHS Certificate of Compliance, [click here](#)

Please visit the [Contact Us](#) section for any non-product compliance questions.

Search Parts in this Series
 36500Series

Surface Mount Compatible (SMC)	No
Temperature Range - Operating	-55°C to +125°C
Termination Interface: Style	Through Hole

Electrical

Current - Maximum per Contact	1A
Data Rate	622.0 Mbps
Voltage - Maximum	250V AC (RMS)

Solder Process Data

Lead-free Process Capability	Wave Capable (TH only)
------------------------------	------------------------

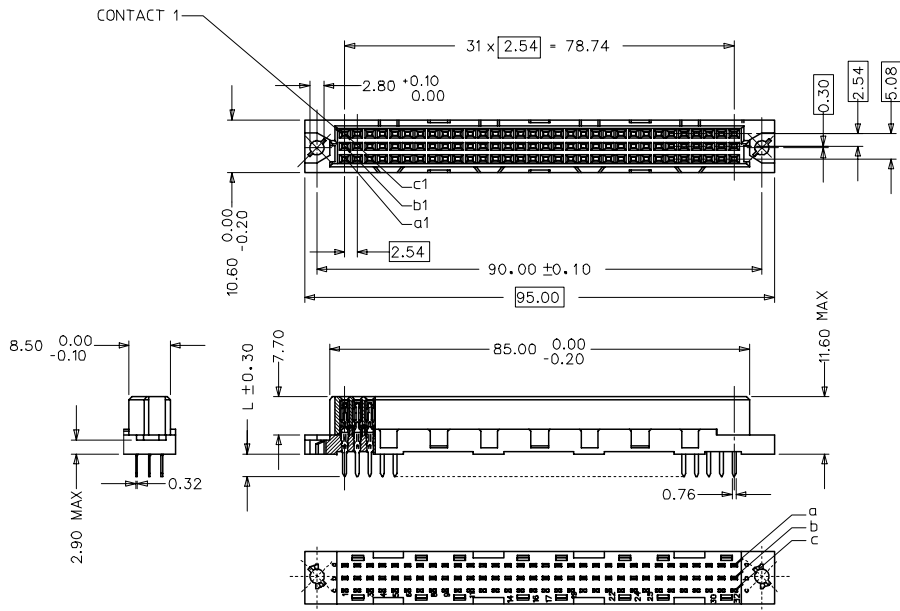
Material Info

Reference - Drawing Numbers

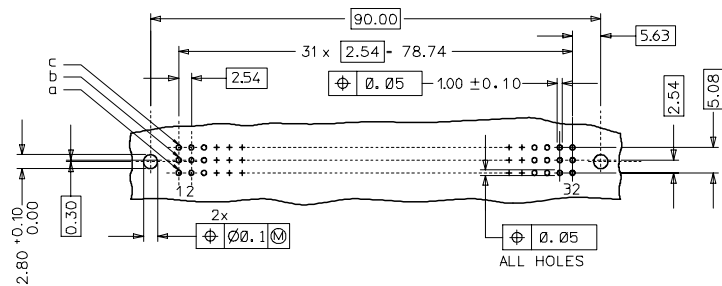
Packaging Specification	PK-36500-001
Product Specification	PS-36500-001
Sales Drawing	SD-36500-001

This document was generated on 05/21/2010

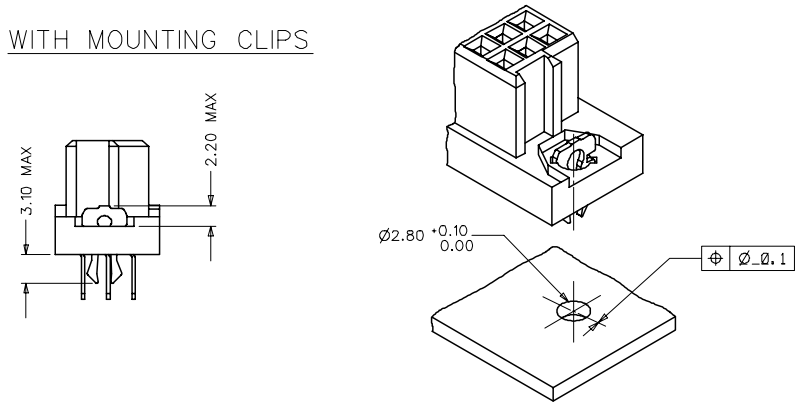
PLEASE CHECK WWW.MOLEX.COM FOR LATEST PART INFORMATION



RECOMMENDED PCB LAYOUT
COMPONENT SIDE



WITH MOUNTING CLIPS



NOTES:

- MATERIALS: THERMOPLASTIC POLYESTER, GLASS FILLED, UL94V-0, COLOUR: PEBBLE GREY RAL 7032
TERMINAL - PHOSPHOR BRONZE
MOUNTING CLIP: STEEL
- FINISH: TERMINAL:-
CONTACT AREA:
1. PERFORMANCE LEVEL 1: SELECTIVE GOLD (Au), THICKNESS - 1.1 MICROMETER
OVER NICKEL, THICKNESS - 1.5 MICROMETER
2. PERFORMANCE LEVEL 2: SELECTIVE GOLD (Au), THICKNESS - 0.6 MICROMETER
OVER NICKEL, THICKNESS - 1.5 MICROMETER
3. PERFORMANCE LEVEL 3: SELECTIVE GOLD (Au), THICKNESS - 0.3 MICROMETER
OVER NICKEL, THICKNESS - 1.5 MICROMETER
TERMINATION AREA:
SELECTIVE TIN, THICKNESS - 5 MICROMETER
OVER NICKEL, THICKNESS - 1.5 MICROMETER OVERALL
- MOUNTING CLIP:-
TIN (Sn), THICKNESS - 5-10 MICROMETER,
OVER NICKEL (Ni), THICKNESS - 2.5 MICROMETER
- FOR NON MOUNTING CLIP OPTION, CONNECTOR TO BE SECURED WITH
RIVETS: 2 TUBULAR RIVETS 2.5 x 0.3 ... DIN 7340
SCREWS: 2 CHEESEHEAD SCREWS M2.5 x ... DIN 84 AND 2 HEXAGONAL NUTS M2.5 DIN 934
- MATERIAL No, BATCH CODE, UL AND CSA MARKING TO BE PRINTED ON THE CONNECTOR.
- CUT FACES OF TIP WITHOUT PLATING PERMITTED.
- PRODUCT SPECIFICATION PS:36500-001

RoHS COMPLIANT

ENTER DESCRIPTION E.C.N.C. 12007 0044 DRAWING APPROVED 2006/10/10 CHECKED BY SUDHIR 2006/10/11 APPROVED BY SUDHIR 2006/10/15	QUALITY SYMBOLS ▽=0 ▽=0	GENERAL TOLERANCES (UNLESS SPECIFIED)		DIMENSION STYLE MM ONLY		SCALE 2:1	DESIGN UNITS METRIC	THIRD ANGLE PROJECTION
		mm	INCH	DRAWN BY SUDHIR	DATE 2000/09/22	TITLE ASSEMBLY DIN 41612 C FEMALE 96 POS 1.0MM PCB DIA		
DRAFT WHERE APPLICABLE MUST REMAIN WITHIN DIMENSIONS	REV C1	4 PLACES ±	±	CHECKED BY G.L.	DATE 2000/09/22	APPROVED BY G.L.		DATE 2000/09/22
		3 PLACES ±	±	MATERIAL NO. SEE SHEET 2		DOCUMENT NO. SD-36500-001		SHEET NO. 1 OF 2
		2 PLACES ±	±	MATERIAL NO. THIS DRAWING CONTAINS INFORMATION THAT IS PROPRIETARY TO MOLEX INCORPORATED AND SHOULD NOT BE USED WITHOUT WRITTEN PERMISSION				
		1 PLACE ±	±					

	20	19	18	17	16	15	14	13	12	11	10	9	8	7	6	5	4	3	2	1
	MATERIAL No	MOLEX ENG No	PERF LEVEL	PLATING	CONTACT SEQUENCE/ROW	DIM "L" mm	MOUNTING CLIP	FLUX PROOF												
	36500-0001	MM-B2401-C960	1	Au+Ni	1.2.3....32 a+b+c	2.9	NO	NO												
	36500-0002	MM-B2501-C960	2	Au+Ni	1.2.3....32 a+b+c	2.9	NO	NO												
	36500-0003	MM-B2601-C960	3	Au+Ni	1.2.3....32 a+b+c	2.9	NO	NO												
	36500-0007	MM-B2401-C910	1	Au+Ni	1.2.3....32 a+b+c	2.9	YES	NO												
	36500-0008	MM-B2501-C910	2	Au+Ni	1.2.3....32 a+b+c	2.9	YES	NO												
	36500-0009	MM-B2601-C910	3	Au+Ni	1.2.3....32 a+b+c	2.9	YES	NO												
	36500-0013	MM-B2401-C960-133	1	Au+Ni	1.2.3....32 a+b+c	2.9	NO	YES												
	36500-0014	MM-B2501-C960-133	2	Au+Ni	1.2.3....32 a+b+c	2.9	NO	YES												
	36500-0015	MM-B2601-C960-133	3	Au+Ni	1.2.3....32 a+b+c	2.9	NO	YES												
	36500-0019	MM-B2401-C910-133	1	Au+Ni	1.2.3....32 a+b+c	2.9	YES	YES												
	36500-0020	MM-B2501-C910-133	2	Au+Ni	1.2.3....32 a+b+c	2.9	YES	YES												
	36500-0021	MM-B2601-C910-133	3	Au+Ni	1.2.3....32 a+b+c	2.9	YES	YES												
	36500-0025	MM-B2402-C960	1	Au+Ni	1.2.3....32 a+b+c	4.5	NO	NO												
	36500-0026	MM-B2502-C960	2	Au+Ni	1.2.3....32 a+b+c	4.5	NO	NO												
	36500-0027	MM-B2602-C960	3	Au+Ni	1.2.3....32 a+b+c	4.5	NO	NO												
	36500-0031	MM-B2402-C910	1	Au+Ni	1.2.3....32 a+b+c	4.5	YES	NO												
	36500-0032	MM-B2502-C910	2	Au+Ni	1.2.3....32 a+b+c	4.5	YES	NO												
	36500-0033	MM-B2602-C910	3	Au+Ni	1.2.3....32 a+b+c	4.5	YES	NO												
	36500-0037	MM-B2402-C960-133	1	Au+Ni	1.2.3....32 a+b+c	4.5	NO	YES												
	36500-0038	MM-B2502-C960-133	2	Au+Ni	1.2.3....32 a+b+c	4.5	NO	YES												
	36500-0039	MM-B2602-C960-133	3	Au+Ni	1.2.3....32 a+b+c	4.5	NO	YES												
	36500-0043	MM-B2402-C910-133	1	Au+Ni	1.2.3....32 a+b+c	4.5	YES	YES												
	36500-0044	MM-B2502-C910-133	2	Au+Ni	1.2.3....32 a+b+c	4.5	YES	YES												
	36500-0045	MM-B2602-C910-133	3	Au+Ni	1.2.3....32 a+b+c	4.5	YES	YES												

RoHS COMPLIANT

ENTER DESCRIPTION ELC INC. 12007 0044 DRWNGSATTI/MARAD 2006/10/10 CHKD/SSUDHIR 2006/10/11 APPR/SSUDHIR 2006/10/15 C1	QUALITY SYMBOLS 	GENERAL TOLERANCES (UNLESS SPECIFIED)		DIMENSION STYLE MM ONLY		SCALE ---	DESIGN UNITS METRIC	THIRD ANGLE PROJECTION	
		4 PLACES ± 0.15 ± ---	INCH	DRAWN BY SSUDHIR	DATE 2000/09/22	TITLE ASSEMBLY DIN 41612 C FEMALE 96 POS 1.0MM PCB DIA			
		3 PLACES ± 0.05 ± ---	mm	CHECKED BY G.L.	DATE 2000/09/22	MATERIAL NO. SEE CHART			
		2 PLACES ± 0.1 ± ---	mm	APPROVED BY G.L.	DATE 2000/09/22	DOCUMENT NO. SD-36500-001			
1 PLACE ± 0.15 ± ---		ANGULAR ± 2°		DRAFT WHERE APPLICABLE MUST REMAIN WITHIN DIMENSIONS		SIZE A 1		SHEET NO. 2 OF 2	
THIS DRAWING CONTAINS INFORMATION THAT IS PROPRIETARY TO MOLEX INCORPORATED AND SHOULD NOT BE USED WITHOUT WRITTEN PERMISSION									