

PLEASE CHECK WWW.MOLEX.COM FOR LATEST PART INFORMATION

Part Number: [0678007102](#)
Status: **Active**
Overview: [serial_ata_products](#)
Description: 1.27mm (.050") Pitch Serial ATA High Speed Header, Vertical, Through Hole, with Locking Latch, 7 Circuits, 0.76µm (30µ") Gold (Au) Plating, for 1.60mm (.063") PCB, High Temperature, Black, Footprint B, with PCB Locator Tabs, Lead-free

Documents:

[3D Model](#) [Product Specification PS-67491-001 \(PDF\)](#)
[Drawing \(PDF\)](#) [RoHS Certificate of Compliance \(PDF\)](#)

Agency Certification

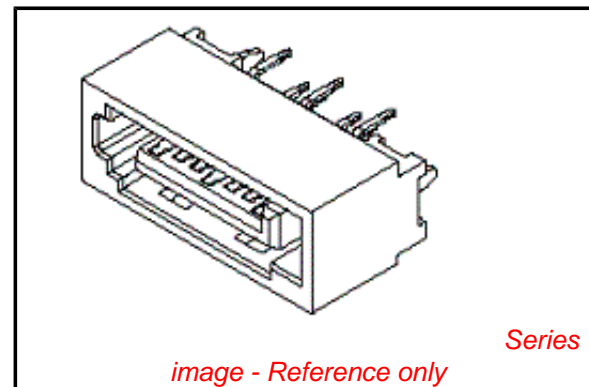
CSA LR 19980
 UL E29179

General

Product Family PCB Headers
 Series [67800](#)
 Application Board-to-Board, Wire-to-Board
 Comments Staggered Solder Pin|Footprint B
 Overview [serial_ata_products](#)
 Product Name Serial ATA

Physical

Breakaway No
 Circuits (Loaded) 7
 Circuits (maximum) 7
 Color - Resin Black
 Durability (mating cycles max) 50
 First Mate / Last Break Yes
 Flammability 94V-0
 Glow-Wire Compliant No
 Guide to Mating Part No
 Keying to Mating Part Yes
 Lock to Mating Part Yes
 Material - Metal Brass
 Material - Plating Mating Gold
 Material - Plating Termination Tin
 Number of Rows 1
 Orientation Vertical
 PC Tail Length (in) 0.096 In
 PC Tail Length (mm) 2.45 mm
 PCB Locator Yes
 PCB Retention Yes
 PCB Thickness Recommended (in) 0.062 In
 PCB Thickness Recommended (mm) 1.60 mm
 Packaging Type Tray
 Pitch - Mating Interface (in) 0.050 In
 Pitch - Mating Interface (mm) 1.27 mm
 Pitch - Term. Interface (in) 0.050 In
 Pitch - Term. Interface (mm) 1.27 mm
 Polarized to Mating Part Yes
 Shrouded Fully
 Stackable No
 Surface Mount Compatible (SMC) Yes
 Temperature Range - Operating -35°C to +85°C



EU RoHS

ELV and RoHS Compliant
REACH SVHC
 Not Reviewed
Halogen-Free Status
Not Reviewed

China RoHS



Need more information on product environmental compliance?

Email productcompliance@molex.com
 For a multiple part number RoHS Certificate of Compliance, [click here](#)

Please visit the [Contact Us](#) section for any non-product compliance questions.

Search Parts in this Series
[67800Series](#)

Termination Interface: Style

Through Hole

Electrical

Current - Maximum per Contact

1.5A

Voltage - Maximum

15V DC

Solder Process Data

Lead-free Process Capability

SMC & Wave Capable (TH only)

Material Info

Reference - Drawing Numbers

Packaging Specification

PK-67800-001

Product Specification

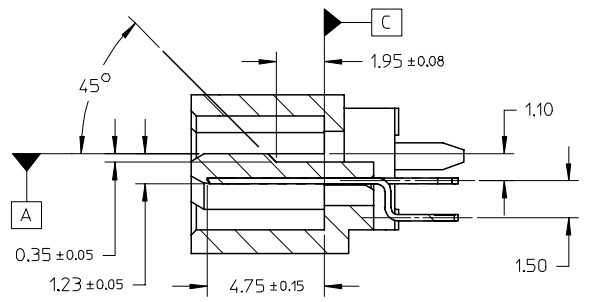
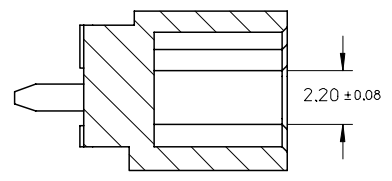
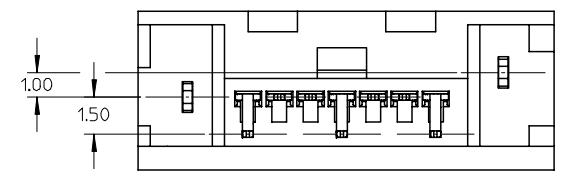
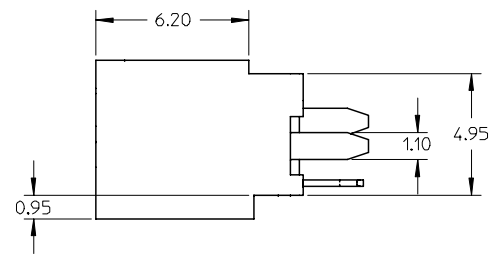
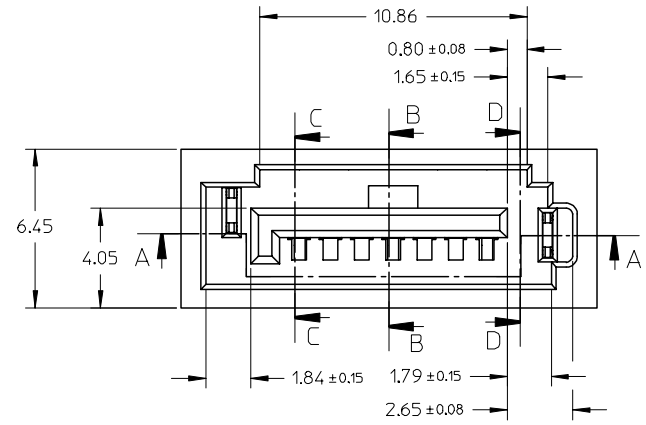
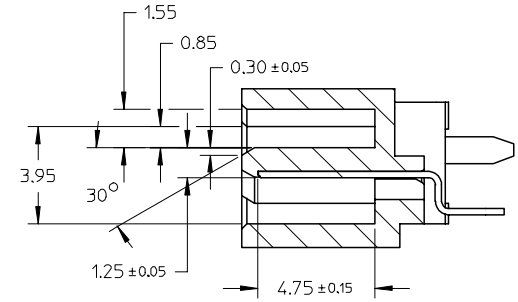
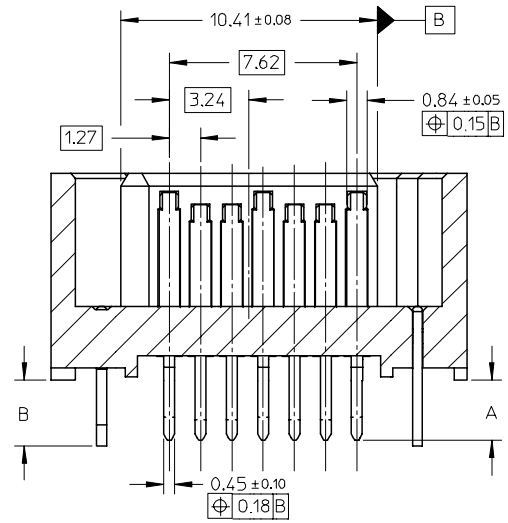
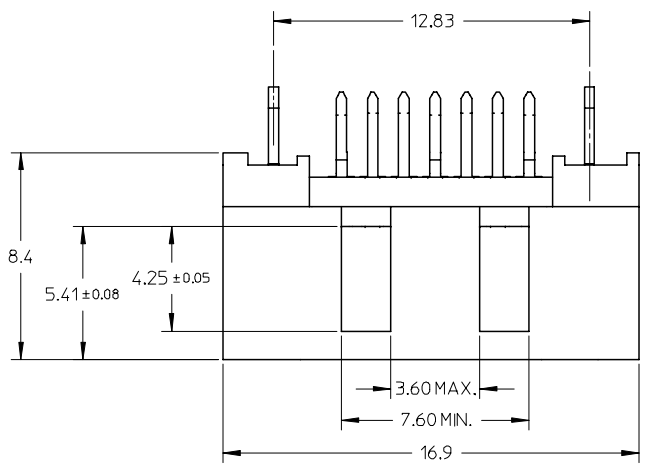
PS-67491-001

Sales Drawing

SD-67800-007

This document was generated on 05/26/2010

PLEASE CHECK WWW.MOLEX.COM FOR LATEST PART INFORMATION



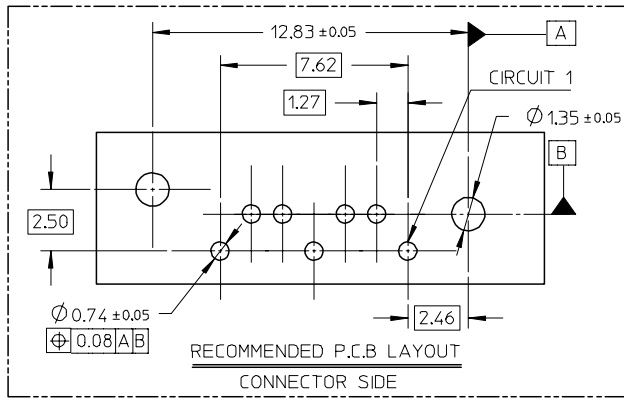
| OBSOLETE PART EC NO: SH2006-0566 DRWN: BCHENZ6 2006/05/29 CHKD: GRATE MA 2006/05/29 APPR: JNCHEN 2006/05/30 | QUALITY SYMBOLS $\nabla = 0$ $\triangle = 0$ | GENERAL TOLERANCES (UNLESS SPECIFIED) <table border="1"> <thead> <tr> <th></th> <th>MM</th> <th>INCH</th> </tr> </thead> <tbody> <tr> <td>4 PLACES</td> <td>± ---</td> <td>± ---</td> </tr> <tr> <td>3 PLACES</td> <td>± ---</td> <td>± ---</td> </tr> <tr> <td>2 PLACES</td> <td>± 0.15</td> <td>± ---</td> </tr> <tr> <td>1 PLACE</td> <td>± 0.25</td> <td>± ---</td> </tr> </tbody> </table> | | MM | INCH | 4 PLACES | ± --- | ± --- | 3 PLACES | ± --- | ± --- | 2 PLACES | ± 0.15 | ± --- | 1 PLACE | ± 0.25 | ± --- | DIMENSION STYLE MM ONLY | SCALE 5:1 | DESIGN UNITS METRIC | THIRD ANGLE PROJECTION |
|--|--|--|--|---|------|----------|-------|-------|----------|-------|-------|----------|--------|-------|---------|--------|-------|-----------------------------------|---------------------|-------------------------------|------------------------|
| | | MM | INCH | | | | | | | | | | | | | | | | | | |
| | 4 PLACES | ± --- | ± --- | | | | | | | | | | | | | | | | | | |
| | 3 PLACES | ± --- | ± --- | | | | | | | | | | | | | | | | | | |
| 2 PLACES | ± 0.15 | ± --- | | | | | | | | | | | | | | | | | | | |
| 1 PLACE | ± 0.25 | ± --- | | | | | | | | | | | | | | | | | | | |
| DESCRIPTION GRATE MA | DRAWN BY GRATE MA | DATE 2004/02/02 | TITLE HIGH SPEED CONNECTOR 1.27MM PITCH VERTICAL DIP SOLDER TAIL | MOLEX INCORPORATED | | | | | | | | | | | | | | | | | |
| MATERIAL NO. SEE SHEET 2 | APPROVED BY SAM | DATE 2004/02/02 | DOCUMENT NO. SD-67800-007 | SHEET NO. 1 OF 2 | | | | | | | | | | | | | | | | | |
| DRAFT WHERE APPLICABLE MUST REMAIN WITHIN DIMENSIONS | | | SIZE A3 | THIS DRAWING CONTAINS INFORMATION THAT IS PROPRIETARY TO MOLEX INCORPORATED AND SHOULD NOT BE USED WITHOUT WRITTEN PERMISSION | | | | | | | | | | | | | | | | | |

F

E

F

E



NOTES:

- MATERIAL:
HOUSING/COLOR: SEE CHART, GLASS FILLED, UL94V-0
TERMINAL/PEG: BRASS
- TERMINAL PLATING:
CONTACT AREA: (a) GOLD FLASH
(b) GOLD, THICKNESS=0.76 MICRON MINIMUM
(c) GOLD, THICKNESS=0.38 MICRON MINIMUM
- SOLDER TAIL: TIN PLATED 1.27 MICRON MINIMUM OVER NICKEL PLATED 1.27 MICRON MINIMUM
- PEG PLATING: TIN PLATED 1.27 MICRON MINIMUM OVER NICKEL PLATED 1.8 MICRON MINIMUM
- PACKAGING: TRAY
- PRODUCT SPECIFICATION REFER TO PS-67491-001
- RECOMMENDED SOLDERING PROCESS: THERMAL PLASTIC FOR WAVE SOLDEING PROCESS
HIGH TEMPERATURE THERMAL PLASTIC FOR IR SOLDERING PROCESS



D

D

| | | | | | | | | |
|-----------------|--------------|-------|-------|-----------------|-----------------|------------------------|----------|--|
| 678007065 | SEE NOTE2(c) | | | | | | | |
| 678007062 | SEE NOTE2(b) | 3.25 | 3.45 | 2.40+/-0.05 | | | | |
| 678007061 | SEE NOTE2(a) | | | | | | | |
| 678007055 | SEE NOTE2(c) | | | | | | | |
| 678007052 | SEE NOTE2(b) | 2.85 | 3.05 | 2.00+/-0.05 | THERMAL PLASTIC | NATURE COLOR | | |
| 678007051 | SEE NOTE2(a) | | | | | | | |
| 678007045 | SEE NOTE2(c) | | | | | | | |
| 678007042 | SEE NOTE2(b) | 2.45 | 2.65 | 1.60+/-0.05 | | | | |
| 678007041 | SEE NOTE2(a) | | | | | | | |
| 678007085 | SEE NOTE2(c) | | | | | | | |
| 678007082 | SEE NOTE2(b) | 3.25 | 3.45 | 2.40+/-0.05 | | | | |
| 678007081 | SEE NOTE2(a) | | | | | | | |
| 678007075 | SEE NOTE2(c) | | | | THERMAL PLASTIC | PROCESS BLUE C ΔE<3 | PURE TIN | |
| 678007072 | SEE NOTE2(b) | 2.85 | 3.05 | 2.00+/-0.05 | | | | |
| 678007071 | SEE NOTE2(a) | | | | | | | |
| 678007035 | SEE NOTE2(c) | | | | | | | |
| 678007032 | SEE NOTE2(b) | 2.45 | 2.65 | 1.60+/-0.05 | | | | |
| 678007031 | SEE NOTE2(a) | | | | | | | |
| 678007025 | SEE NOTE2(c) | | | | | | | |
| 678007022 | SEE NOTE2(b) | 3.25 | 3.45 | 2.40+/-0.05 | | | | |
| 678007021 | SEE NOTE2(a) | | | | | | | |
| 678007015 | SEE NOTE2(c) | | | | | | | |
| 678007012 | SEE NOTE2(b) | 2.85 | 3.05 | 2.00+/-0.05 | THERMAL PLASTIC | BLACK | | |
| 678007011 | SEE NOTE2(a) | | | | | | | |
| 678007005 | SEE NOTE2(c) | | | | | | | |
| 678007002 | SEE NOTE2(b) | 2.45 | 2.65 | 1.60+/-0.05 | | | | |
| 678007001 | SEE NOTE2(a) | | | | | | | |
| MATERIAL NUMBER | PLATING TYPE | DIM A | DIM B | P.C.B THICKNESS | PLASTIC TYPE | PLASTIC COLOR | REMARK | |

| | | | | | | | | |
|-----------------|--------------|-------|-------|-----------------|-----------------|----------------------------------|--------|----------|
| 678007125 | SEE NOTE2(c) | | | | | | | |
| 678007122 | SEE NOTE2(b) | 3.25 | 3.45 | 2.40+/-0.05 | | | | |
| 678007121 | SEE NOTE2(a) | | | | | | | |
| 678007115 | SEE NOTE2(c) | | | | THERMAL PLASTIC | HIGH TEMPERATURE THERMAL PLASTIC | BLACK | PURE TIN |
| 678007112 | SEE NOTE2(b) | 2.85 | 3.05 | 2.00+/-0.05 | | | | |
| 678007111 | SEE NOTE2(a) | | | | | | | |
| 678007105 | SEE NOTE2(c) | | | | | | | |
| 678007102 | SEE NOTE2(b) | 2.45 | 2.65 | 1.60+/-0.05 | | | | |
| 678007101 | SEE NOTE2(a) | | | | | | | |
| MATERIAL NUMBER | PLATING TYPE | DIM A | DIM B | P.C.B THICKNESS | PLASTIC TYPE | PLASTIC COLOR | REMARK | |

B

B

A

A

| | | | | | | | |
|--|-----------------|---|---|---|--------------|------------------------|---------------------|
| OBSOLESCE PART EC NO: SH2006-0566 DRWN: BCHENZ6 2006/05/29 CHKD: GRATE MA 2006/05/29 APPR: JNCHEN 2006/05/30 | QUALITY SYMBOLS | GENERAL TOLERANCES (UNLESS SPECIFIED) | DIMENSION STYLE | SCALE | DESIGN UNITS | THIRD ANGLE PROJECTION | |
| | ▽=0 ▽C=0 | MM ONLY | MM ONLY | 5:1 | METRIC | | |
| | | 4 PLACES ± --- ± --- 3 PLACES ± --- ± --- 2 PLACES ± 0.15 ± --- 1 PLACE ± 0.25 ± --- ANGULAR ± 1/2° | DRAWN BY DATE GRATE MA 2004/02/02 CHECKED BY DATE YAJUN 2004/02/02 APPROVED BY DATE SAM 2004/02/02 | TITLE HIGH SPEED CONNECTOR 1.27MM PITCH VERTICAL DIP SOLDER TAIL | | | |
| | | DRAFT WHERE APPLICABLE MUST REMAIN WITHIN DIMENSIONS | MATERIAL NO. SEE CHART | DOCUMENT NO. SD-67800-007 | | | SHEET NO. 2 OF 2 |
| REV | DESCRIPTION | THIS DRAWING CONTAINS INFORMATION THAT IS PROPRIETARY TO MOLEX INCORPORATED AND SHOULD NOT BE USED WITHOUT WRITTEN PERMISSION | | | | | |