

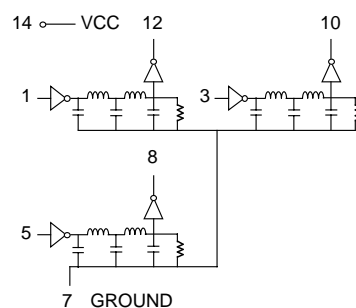
SMD 14-Pin Triple TTL Compatible Active Delay Lines

DELAY TIME ±5% or ±2 nS†	PART NUMBER	DELAY TIME ±5% or ±2 nS†	PART NUMBER	DELAY TIME ±5% or ±2 nS†	PART NUMBER
5	EPA280-5	19	EPA280-19	65	EPA280-65
6	EPA280-6	20	EPA280-20	70	EPA280-70
7	EPA280-7	21	EPA280-21	75	EPA280-75
8	EPA280-8	22	EPA280-22	80	EPA280-80
9	EPA280-9	23	EPA280-23	85	EPA280-85
10	EPA280-10	24	EPA280-24	90	EPA280-90
11	EPA280-11	25	EPA280-25	95	EPA280-95
12	EPA280-12	30	EPA280-30	100	EPA280-100
13	EPA280-13	35	EPA280-35	125	EPA280-125
14	EPA280-14	40	EPA280-40	150	EPA280-150
15	EPA280-15	45	EPA280-45	175	EPA280-175
16	EPA280-16	50	EPA280-50	200	EPA280-200
17	EPA280-17	55	EPA280-55	225	EPA280-225
18	EPA280-18	60	EPA280-60	250	EPA280-250

† Whichever is greater. Delay Times referenced from input to leading edges at 25°C, 5.0V, with no load.

DC Electrical Characteristics		Test Conditions	Min	Max	Unit
Parameter					
V _{OH}	High-Level Output Voltage	V _{CC} = min. V _{IL} = max. I _{OH} = max	2.7		V
V _{OL}	Low-Level Output Voltage	V _{CC} = min. V _{IH} = min. I _{OL} = max		0.5	V
V _{IK}	Input Clamp Voltage	V _{CC} = min. I _I = I _{IK}		-1.2V	V
I _{IH}	High-Level Input Current	V _{CC} = max. V _{IN} = 2.7V		50	µA
		V _{CC} = max. V _{IN} = 5.25V		1.0	mA
I _{IL}	Low-Level Input Current	V _{CC} = max. V _{IN} = 0.5V		-2	mA
I _{OS}	Short Circuit Output Current	V _{CC} = max. V _{OUT} = 0. (One output at a time)	-40	-100	mA
I _{CCH}	High-Level Supply Current	V _{CC} = max. V _{IN} = OPEN		115	mA
I _{CCL}	Low-Level Supply Current	V _{CC} = max. V _{IN} = 0		115	mA
T _{RO}	Output Rise Time	T _d ≤ 500 nS (0.75 to 2.4 Volts)		4	nS
N _H	Fanout High-Level Output	V _{CC} = max. V _{OH} = 2.7V		20 TTL LOAD	
N _L	Fanout Low-Level Output	V _{CC} = max. V _{OL} = 0.5V		10 TTL LOAD	

Schematic



Recommended Operating Conditions		Min	Max	Unit
V _{CC}	Supply Voltage	4.75	5.25	V
V _{IH}	High-Level Input Voltage	2.0		V
V _{IL}	Low-Level Input Voltage		0.8	V
I _{IK}	Input Clamp Current		-18	mA
I _{OH}	High-Level Output Current		-1.0	mA
I _{OL}	Low-Level Output Current		20	mA
P _W *	Pulse Width of Total Delay	40		%
d*	Duty Cycle		40	%
T _A	Operating Free-Air Temperature	0	+70	°C

*These two values are inter-dependent.

Input Pulse Test Conditions @ 25° C		Unit
E _{IN}	Pulse Input Voltage	3.2 Volts
P _W	Pulse Width % of Total Delay	110 %
T _{RI}	Pulse Rise Time (0.75 - 2.4 Volts)	2.0 nS
PRR	Pulse Repetition Rate @ T _d ≤ 200 nS	1.0 MHz
	Pulse Repetition Rate @ T _d > 200 nS	100 KHz
V _{CC}	Supply Voltage	5.0 Volts

Package Dimensions

