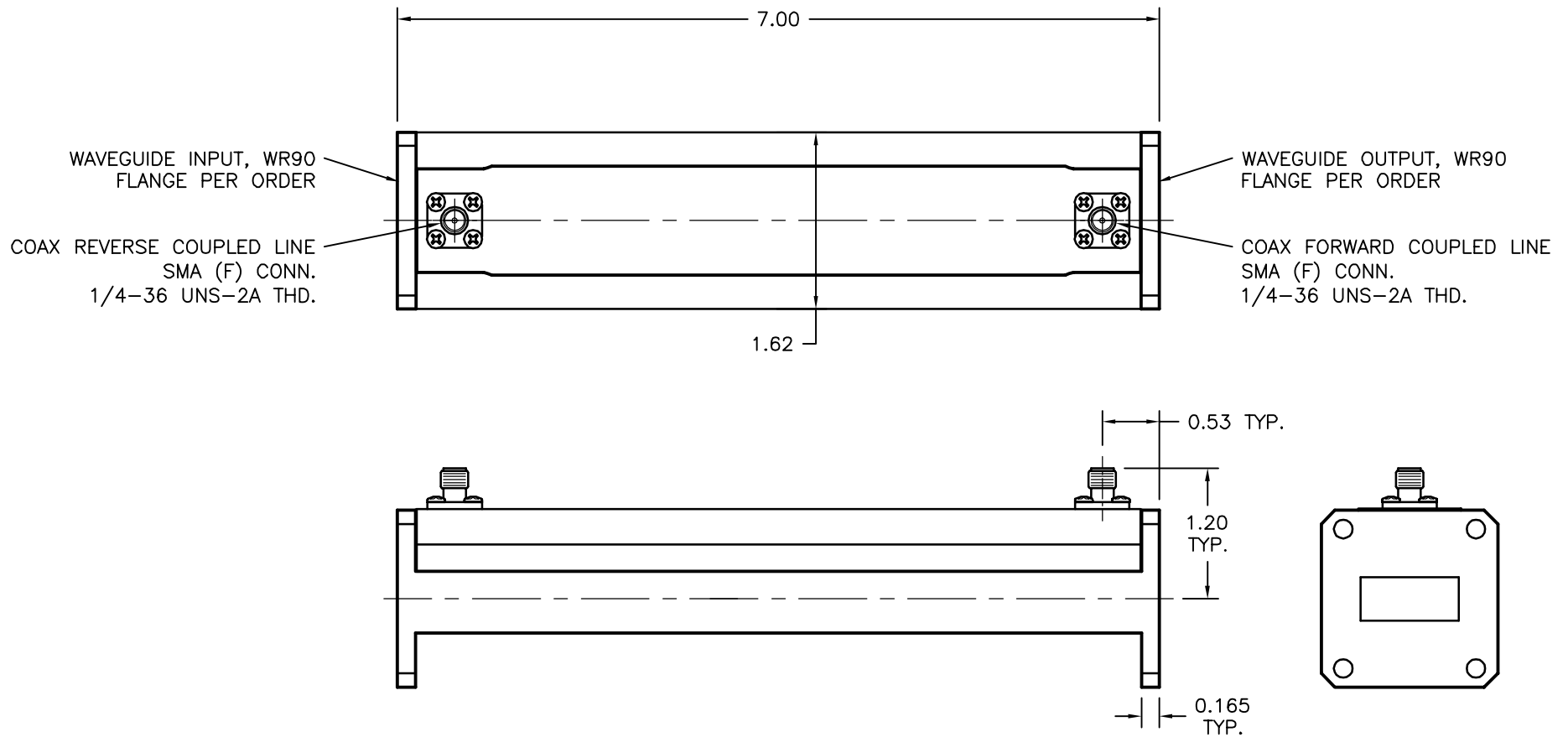


REV	AUTH	DATE	INITIAL RELEASE
-	RL	12/15/06	



PERFORMANCE SPECIFICATIONS

COUPLING:	30,40, AND 50dB
COUPLING ACCURACY:	±0.5dB
FREQUENCY SENSITIVITY:	±0.5dB
DIRECTIVITY:	25MIN, 30 TYPICAL
VSWR:	
THROUGH LINE	1.05
COUPLED LINE (COAXIAL)	1.25
FREQ. RANGE:	8.16 - 9.84 GHz

THIRD ANGLE PROJECTION:		APPROVALS	DATE		ADVANCED TECHNICAL MATERIALS, INC.		THE INFORMATION IN THIS DRAWING IS PROPRIETARY AND SHALL NOT BE USED OR DISCLOSED WITHOUT THE PRIOR WRITTEN CONSENT OF ATM, INC. DO NOT SCALE DWG.
UNLESS OTHERWISE NOTED, DIMENSIONS ARE IN INCHES, TOLERANCES ARE: FRACTIONS: ±1/64 ANGLES: ±1/2°		DRAWN RL	12/15/06		TEL: (631) 289-0363 FAX: (631) 289-0358 www.atmmicrowave.com		
BASIC DIMENSION	DECIMALS 2 PLACE 3 PLACE	CHKD.	APRVD.	OUTLINE, WR90 SHORT LENGTH HIGH-DIRECTIVITY COUPLER			
UNDER 6"	±.02 ±.005	MATERIAL PER ORDER					
6" - 12"	±.03 ±.010	TREATMENT -		SIZE A	CAGE CODE 0R8N4	ATM DWG # 6978W	REVISION -
OVER 12"	±.06 ±.015	FINISH ATM STD. GREY		SCALE 1 : 1	MODEL # 90-331DA-XXF-XXR-X-X	SHEET 1/1	