

PLEASE CHECK WWW.MOLEX.COM FOR LATEST PART INFORMATION

Part Number: [0014442108](#)
Status: **Active**
Overview: [cgrid_sl_products](#)
Description: 2.54mm (.100") Pitch SL™ Insulation Displacement Connector Assembly, Male, Single Row, Version D, Back Ribs, for Wire Size 28, 0.38µm (15µ") Gold (Au), 8 Circuits

Documents:

[3D Model](#) [Product Specification PS-70400 \(PDF\)](#)
[Drawing \(PDF\)](#) [RoHS Certificate of Compliance \(PDF\)](#)

Agency Certification

CSA LR19980
 UL E29179

General

Product Family Ribbon Cable / Wire Trap Connectors
 Series [70475](#)
 Comments Terminals Preloaded
 Component Type Housing
 Glow-Wire Compliant No
 Overview [cgrid_sl_products](#)
 Product Name SL™

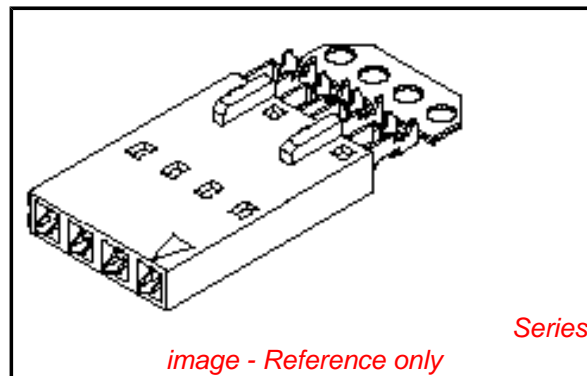
Physical

Circuits (Loaded) 8
 Color - Resin Black
 Durability (mating cycles max) 50
 Entry Angle Vertical
 Flammability 94V-0
 Lock to Mating Part None
 Material - Metal Phosphor Bronze
 Material - Plating Mating Gold
 Material - Plating Termination Tin
 Material - Resin Polyester Alloy
 Number of Rows 1
 PCB Retention None
 Packaging Type Tube
 Pitch - Mating Interface (in) 0.100 In
 Pitch - Mating Interface (mm) 2.54 mm
 Plating min: Mating (µin) 15
 Plating min: Mating (µm) 0.38
 Plating min: Termination (µin) 75
 Plating min: Termination (µm) 1.91
 Polarized to Mating Part No
 Stackable Yes
 Surface Mount Compatible (SMC) N/A
 Temperature Range - Operating -40°C to +105°C
 Termination Interface: Style IDT or Pierce
 Wire Insulation Diameter 1.35mm (.053") max.
 Wire Size AWG 28
 Wire/Cable Type Discrete Wire, Ribbon Cable

Electrical

Current - Maximum per Contact 1.2A
 Voltage - Maximum 250V

Material Info



EU RoHS

**ELV and RoHS
Compliant**

REACH SVHC

Contains SVHC: No

Halogen-Free

Status

Not Reviewed

**Need more information on product
environmental compliance?**

Email productcompliance@molex.com
 For a multiple part number RoHS Certificate of
 Compliance, [click here](#)

Please visit the [Contact Us](#) section for any
 non-product compliance questions.

China RoHS



Search Parts in this Series

[70475Series](#)

Mates With

[70004](#) Interim Clip (Single Row), [70013](#)
 Interim Clip (Dual Row)

Use With

[7307](#) Tinned 28AWG, [7767](#) Topcoat
 28AWG, [24241](#) Tinned 26AWG, [8996](#)
 Topcoat 26AWG, [24226](#) Tinned 24AWG,
[8997](#) Topcoat 24AWG, [24369](#) High Flex
 26AWG, [24389](#) High Flex 24AWG

Old Part Number

70475-0952

Reference - Drawing Numbers

Product Specification

PS-70400

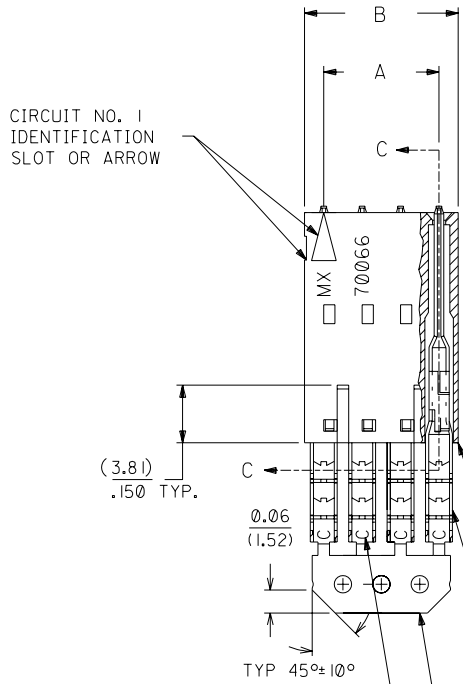
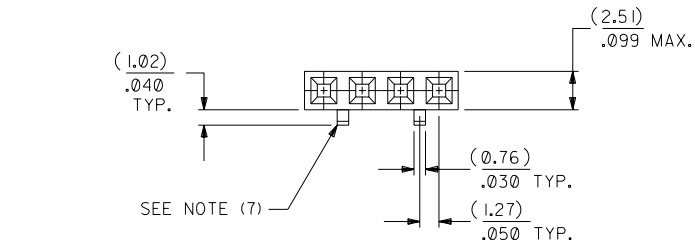
This document was generated on 05/24/2010

PLEASE CHECK WWW.MOLEX.COM FOR LATEST PART INFORMATION

OPTION D

NOTES:

- 1) TO BE USED WITH (28) AWG. STRANDED WIRE WITH (1.35)/.053 DIA. MAX. INSULATION.
- 2) SEE CHART FOR CIRCUIT SIZES.
- 3) STANDARD PACKAGING PER PK-70873-0001. OPTIONAL PACKAGING MAY BE AVAILABLE, REQUEST DWG. PK-70475.
- 4) PARTS STACKABLE END TO END ON (2.54)/.100 CENTERS.
- 5) REFER TO PRODUCT SPECIFICATION: PS-70475.
- 6) SEE DWG. SDA-70475-***** (SHT.3) FOR OPTIONAL HOUSING DETAILS.
- 7) 4 CIRCUIT SHOWN. 3 - 25 CKT'S. HAVE (2) RIBS.
- 8) TO MATE WITH MOLEX PART NO'S.: 70018-****, 70022-****, 70104-****.
- 9) 2 CIRCUIT ASSEMBLIES SUPPLIED AS GROUPED PAIRS.



I.D. SLOT CODE TO WIRE GAUGE CHART	
I.D. SLOT CODE	WIRE GAUGE
C	28 AWG.

PLATING CODE (STRIPE ON CARRIER STRIP)	
PLATING	COLOR
15 GOLD	YELLOW

15 GOLD - .000015 MINIMUM GOLD IN SELECT AREA WITH .000075 MINIMUM TIN IN SELECT AREA OVER .000050 MINIMUM NICKEL OVER-ALL.

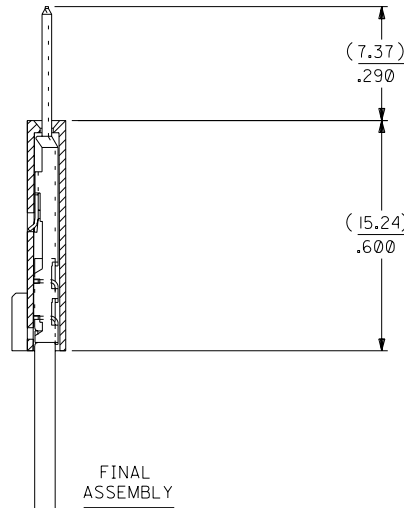
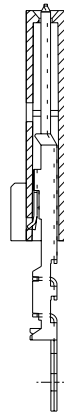
*THE PRIMARY SHIPPING CARTON WILL BE LABELED "COMPLIANT TO RoHS DIRECTIVE 2002/95/EC AND ELV ANNEX II OF DIRECTIVE 2000/53/EC". CARTONS WITHOUT THIS LABEL MAY CONTAIN PRODUCT WITH LEAD.

HOUSING PART NO. 70066-****
MATERIAL: G.F. POLYESTER, 94V-0

TERMINAL PART NO. 70110-****
MATERIAL: PHOSPHOR BRONZE
PLATING PER ES-88-***



SECTION C-C



CKT. SIZE	DIMENSIONS (INCH)		EDP. NO.	ENG. NO.
	A	B		
2	(2.54) .100	(5.05) .199	14-44-2102	A-70475-0946
3	(5.08) .200	(7.59) .299	14-44-2103	A-70475-0947
4	(7.62) .300	(10.13) .399	14-44-2104	A-70475-0948
5	(10.16) .400	(12.67) .499	14-44-2105	A-70475-0949
6	(12.70) .500	(15.21) .599	14-44-2106	A-70475-0950
7	(15.24) .600	(17.75) .699	14-44-2107	A-70475-0951
8	(17.78) .700	(20.29) .799	14-44-2108	A-70475-0952
9	(20.32) .800	(22.83) .899	14-44-2109	A-70475-0953
10	(22.86) .900	(25.37) .999	14-44-2110	A-70475-0954
11	(25.54) 1.000	(27.91) 1.099	14-44-2111	A-70475-0955
12	(27.94) 1.100	(30.45) 1.199	14-44-2112	A-70475-0956
13	(30.48) 1.200	(32.99) 1.299	14-44-2113	A-70475-0957
14	(33.02) 1.300	(35.53) 1.399	14-44-2114	A-70475-0958
15	(35.56) 1.400	(38.07) 1.499	14-44-2115	A-70475-0959
16	(38.01) 1.500	(40.61) 1.599	14-44-2116	A-70475-0960
17	(40.64) 1.600	(43.15) 1.699	14-44-2117	A-70475-0961
18	(43.18) 1.700	(45.69) 1.799	14-44-2118	A-70475-0962
19	(45.72) 1.800	(48.23) 1.899	14-44-2119	A-70475-0963
20	(48.26) 1.900	(50.77) 1.999	14-44-2120	A-70475-0964
21	(50.80) 2.000	(53.31) 2.099	14-44-2121	A-70475-0965
22	(53.34) 2.100	(55.85) 2.199	14-44-2122	A-70475-0966
23	(55.88) 2.200	(58.39) 2.299	14-44-2123	A-70475-0967
24	(58.42) 2.300	(60.93) 2.399	14-44-2124	A-70475-0968
25	(60.96) 2.400	(63.47) 2.499	14-44-2125	A-70475-0969

REV.	DATE	BY	REVISIONS
D			REVISED PER ECR NO. U82124 10-17-88 MGB
E			LEAD FREE UCP2004-1769 RWHITE 04/03/24
DI			ADD CARRIER CHAMF ECR# UDT1998-0280 05/20/98 LMCGRATH
B			REDRAWN ON CAD ECR# 8842 5/9/86 W.Z.

REV.	DATE	BY	REVISIONS
		WAZ	SCALE 4 : 1
		RL	

DIMENSIONS SHOWN (METRIC) INCH UNLESS OTHERWISE SPECIFIED TOLERANCES: ANGULAR ± 1/2°

3 PLACE ± .010 ---
2 PLACE ± .014 ± 0.25
1 PLACE --- ± 0.35

DRAFT WHERE APPLICABLE MUST REMAIN WITHIN DIMENSIONS

DRWG. BY: WAZ CHK'D BY: WAZ
APP'D BY: RL SCALE: 4 : 1

THIS DRAWING CONTAINS INFORMATION THAT IS PROPRIETARY TO MOLEX INC. AND SHOULD NOT BE USED WITHOUT WRITTEN PERMISSION.

REVISIONS ONLY ON CAD SYSTEM

TITLE: ASSEMBLY, SL CONNECTOR (SINGLE ROW- (2.54)/.100 GRID)

MOLEX INCORPORATED SHEET NO. DATE 10/13/84
LISLE, ILL. 60532 U.S.A.

PART NO. SDA-70475-0946-0969

FILE NAME: S70475DX6 DIV. SIZE: C