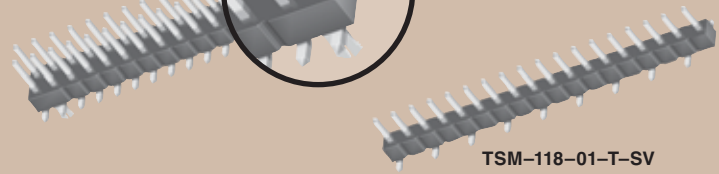
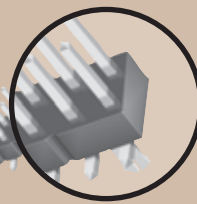


TSM-116-02-S-DV-LC



TSM-118-01-T-SV

(2,54 mm) .100"

TSM SERIES

SMT .025" SQ POST HEADER

Mates with:

SSW, SSQ, SSM, BSW, ESW, ESQ, BCS, SLW, CES, HLE, IDSS, IDSD, SMSD, SMSS

SPECIFICATIONS

For complete specifications and recommended PCB layouts see www.samtec.com?TSM

Insulator Material:

Black Liquid Crystal Polymer
Terminal Material:
 Phosphor Bronze
Plating:

Au or Sn over 50µ" (1,27 µm) Ni

Operating Temp Range:

-55°C to +105°C with Tin;

-55°C to +125°C with Gold

Voltage Rating:

475 VAC -SV/-DV mated with BCS or SSM

RoHS Compliant:

Yes

Lead-Free Solderable:

Yes

-DH/-SH Lead Coplanarity:

(0,15 mm) .006" max (02-36)

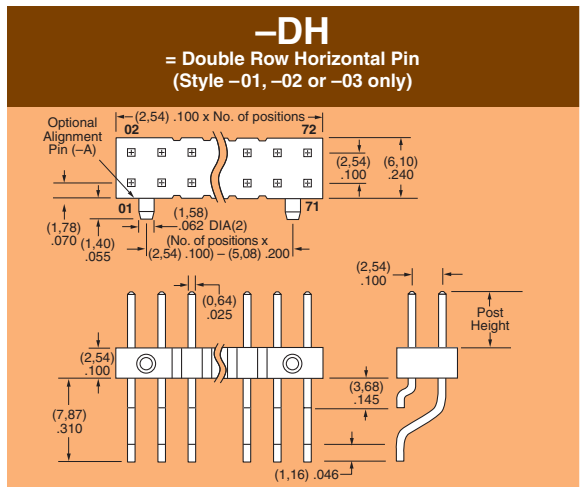
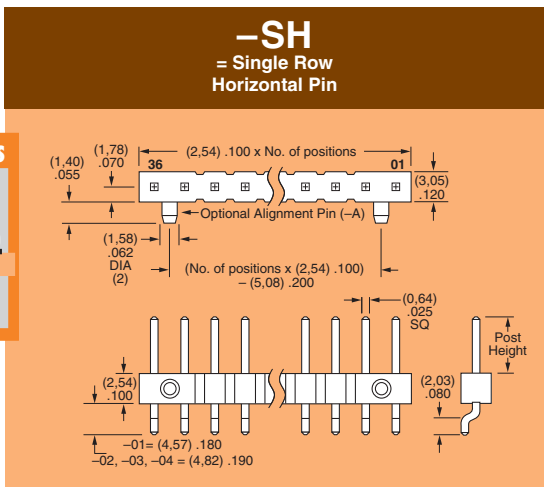
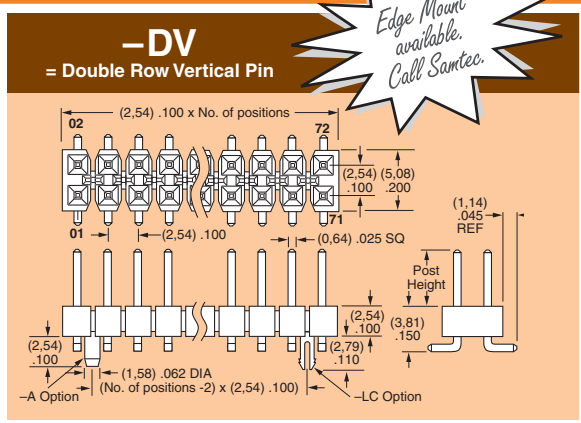
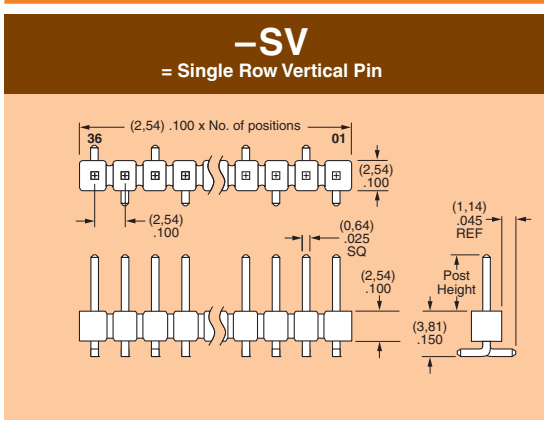
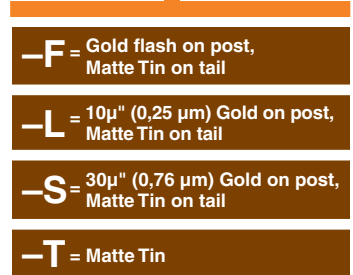
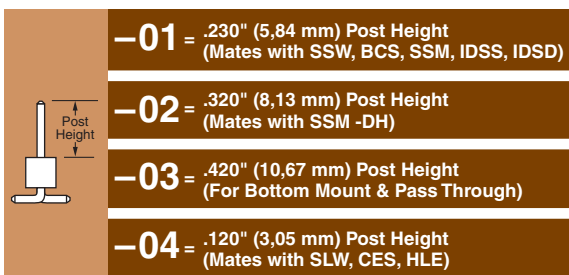
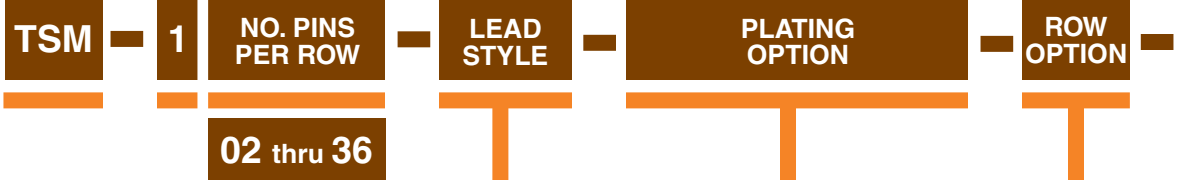
-DV/-SV Lead Coplanarity:

(0,10 mm) .004" max (02-05)

(0,13 mm) .005" max (06-10)

(0,15 mm) .006" max (11-36)

AMBIENT TEMP	CURRENT RATING (PER CONTACT)
20°C	7A
40°C	6A
60°C	4A
80°C	3A



APPLICATIONS

SSM TSM

HORIZONTAL

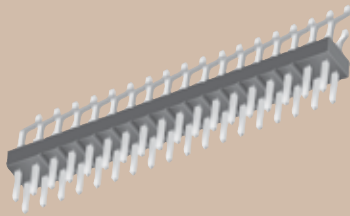
Note: Other Gold plating options available. Contact Samtec.

Note: Some lengths, styles and options are non-standard, non-returnable.

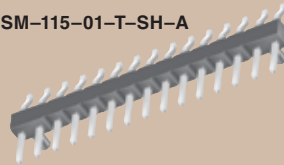
Due to technical progress, all designs, specifications and components are subject to change without notice.

WWW.SAMTEC.COM

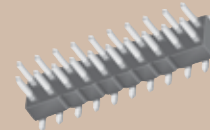
TSM-118-01-L-DH



TSM-115-01-T-SH-A



TSM-110-01-T-DV



OTHER OPTIONS

-A

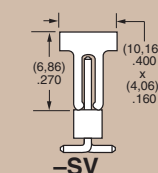
= Alignment Pin metal or plastic at Samtec discretion (Not available with -TM or -MT) (02 positions min.) (N/A with -LC)

-K

= (6,50 mm) .256" DIA Polyimide Film Pick & Place Pad (-SH: 4 positions minimum without -TR; 2 & 3 positions available with -TR) (-DH: 4 positions minimum without -TR)

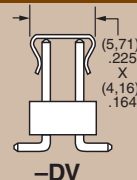
-P

= Plastic Pick & Place Pad (-DV: 4 positions minimum without -TR; 2 & 3 positions available with -TR) (-SH: 4 positions minimum without -TR; 2 & 3 positions available with -TR) (-DH: 5 positions minimum without -TR) (-SV: 4 positions minimum without -TR; 2 & 3 positions available with -TR)



-M

= Metal Pick & Place Pad (4 positions minimum without -TR) (2 & 3 positions available with -TR) Styles -01 & -04 only (N/A with -T plating)



-TR

= Tape & Reel Packaging -SV = 02-22 positions -DV = 02-28 positions -SH = 02-30 positions -DH = 02-29 positions N/A with -MT or -TM

-LC

= Locking Clip (N/A with -TM) (3 positions min.) (N/A with -A) (Manual placement required)

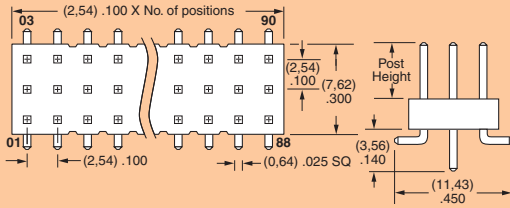
- "XXX" = Polarized Position



-TM

= Triple Row Vertical Mixed Technology (Style -01 only)

02 thru 30 positions only

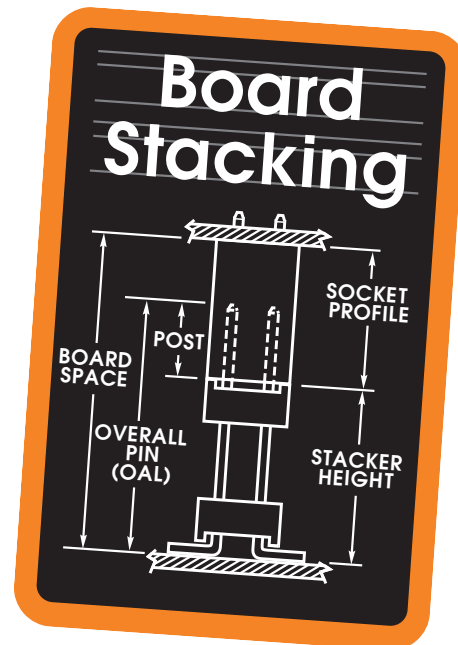
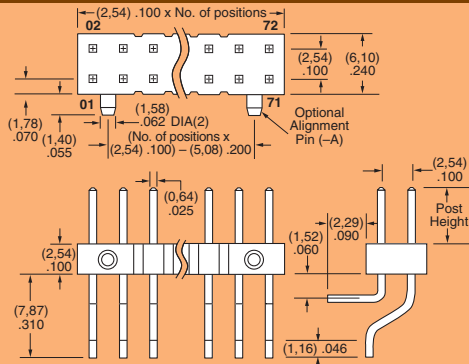


APPLICATION SPECIFIC OPTIONS

Edge Mount and Locking Clips for -SV, Solder Locks for -DH and Shrouds for -DV. Call Samtec.

-MT

= Mixed Technology Pin (Style -01, -02 or -03 only)



Due to technical progress, all designs, specifications and components are subject to change without notice.

WWW.SAMTEC.COM