

PLEASE CHECK WWW.MOLEX.COM FOR LATEST PART INFORMATION

Part Number: [0673513004](#)
Status: **Active**
Description: MicroCross™ DVI-I Digital/Analog Visual Interface, Panel Mount, Through Hole, Vertical, Gold (Au) Flash, Polyester (PBT), Screw Hole, 4-40 Thread, 2.34mm (.092") PC Tail Length, 29 Circuits, Lead Free

Documents:

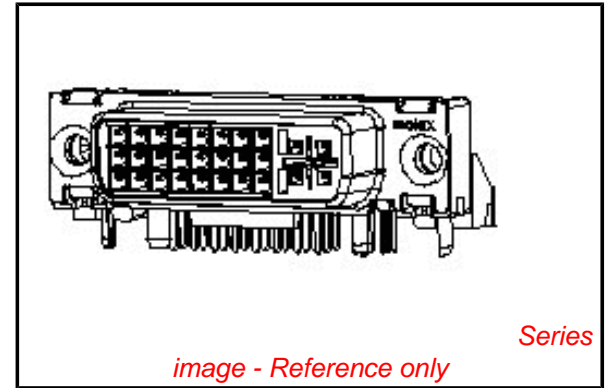
[3D Model](#) [RoHS Certificate of Compliance \(PDF\)](#)
[Drawing \(PDF\)](#)

General

Product Family	I/O Connectors
Series	67351
Application	Wire-to-Board
Comments	DDWG (Digital Display Working Group) Standard
Component Type	Receptacle
Product Name	MicroCross™DVI
Type	N/A

Physical

Boot Color	N/A
Circuits (Loaded)	29
Circuits (maximum)	29
Color - Resin	Ivory, Natural
Durability (mating cycles max)	100
Gender	Receptacle
Keying to Mating Part	Yes
Lock to Mating Part	Yes
Material - Metal	Copper Alloy
Material - Plating Mating	Gold
Material - Plating Termination	Tin
Material - Resin	Polyester
Number of Rows	3
Orientation	Vertical
PC Tail Length (in)	0.092 In
PC Tail Length (mm)	2.34 mm
PCB Locator	Yes
PCB Retention	Yes
Packaging Type	Tray
Panel Mount	Yes
Pitch - Mating Interface (in)	0.050 In, 0.075 In, 0.124 In
Pitch - Mating Interface (mm)	1.27 mm, 1.90 mm, 3.17 mm
Pitch - Term. Interface (in)	0.050 In, 0.075 In, 0.124 In
Pitch - Term. Interface (mm)	1.27 mm, 1.90 mm, 3.17 mm
Plating min: Mating (µin)	2, 30
Plating min: Mating (µm)	0.05, 0.75
Plating min: Termination (µin)	100, 150
Plating min: Termination (µm)	2.5, 3.75
Polarized to Mating Part	Yes
Polarized to PCB	Yes
Ports	1
Surface Mount Compatible (SMC)	No
Temperature Range - Operating	-20°C to +85°C
Termination Interface: Style	Through Hole
Waterproof / Dustproof	No
Wire Size AWG	N/A



EU RoHS

**ELV and RoHS
Compliant**
REACH SVHC
 Not Reviewed
**Halogen-Free
Status**

China RoHS



**Need more information on product
environmental compliance?**

Email productcompliance@molex.com
 For a multiple part number RoHS Certificate of Compliance, [click here](#)

Please visit the [Contact Us](#) section for any non-product compliance questions.

Search Parts in this Series

[67351Series](#)

Mates With

[74323](#) MicroCross™ DVI Plug Components.
[88741](#) MicroCross™ DVI Cable Assemblies

Use With

[71781](#) Panel Mount Hex Screw Kit

Electrical

Current - Maximum per Contact	3A
Grounding to Panel	Yes
Shield Type	Full Shield
Shielded	Yes
Voltage - Maximum	40V AC (RMS)

Material Info**Reference - Drawing Numbers**

Packaging Specification	PK-74320-010
Sales Drawing	SD-67351-002

This document was generated on 06/07/2010

PLEASE CHECK WWW.MOLEX.COM FOR LATEST PART INFORMATION

8 7 6 5 4 3 2 1

SEE CHART

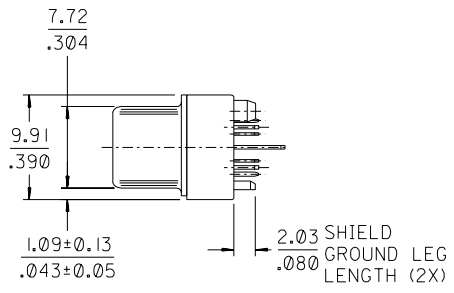
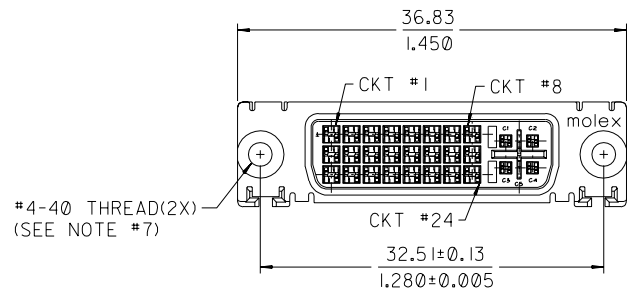
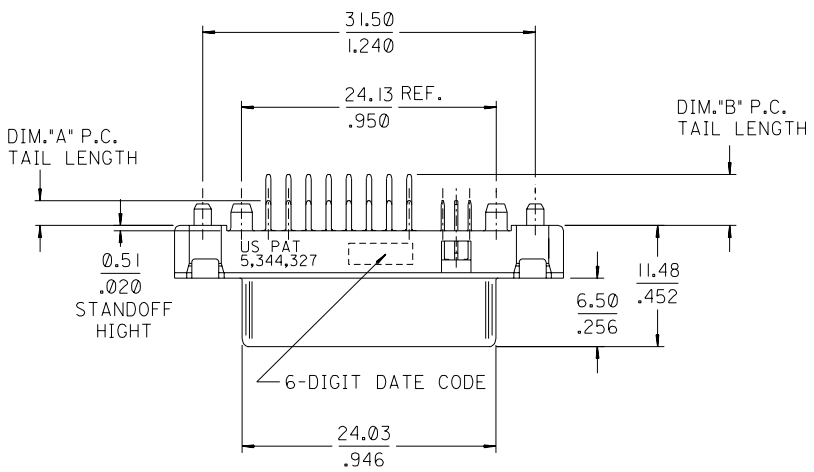
ENG. NO.

EDP NO.

SIMILAR ITEM

CADFILE NO: 56735102.S01

DO NOT SCALE DRAWING



- NOTES:
- MATERIALS:
SHIELD -- DEEP DRAW STEEL.
HOUSING -- GLASS FILLED POLYMER, NATURAL (IVORY WHITE), UL 94V-0.
CONTACTS -- COPPER ALLOY.
MICROCROSS GROUND -- COPPER ALLOY
 - PLATING: SEE SHEET 2.
 - PRODUCT CONFORMS TO MOLEX PRODUCT SPECIFICATION NUMBER PS-74320-001.
 - SEE SHEET 2 FOR RECOMMENDED PANEL CUT-OUT AND P.C.B. LAYOUT.
 - PARTS WILL BE PACKAGED IN TRAYS PER PK-74320-010.
 - PRODUCT CONFORMS TO DDWG DVI SPECIFICATION. REFER TO THIS SPECIFICATION FOR CONNECTOR MATING DIMENSIONS.
 - RECOMMENDED MOUNTING HARDWARE IS MOLEX P/N 88780-6066 OR 82007-0300 OR 71781-0001. REFER TO PRODUCT SPECIFICATION NUMBER PS-74320-001 FOR THE APPLICATION TORQUE REQUIREMENT FOR ASSEMBLING MOUNTING HARDWARE.

PART NUMBER	DIMn "A" ROW "1,3"	DIMn "B" ROW "2"	PLATING OPTION
67351-3000	2.34/.092	2.34/.092	1
67351-3001	1.27/.050	1.27/.050	1
67351-3002	2.79/.011	2.79/.011	1
67351-3003	3.12/.123	3.12/.123	1
67351-3004	2.34/.092	2.34/.092	2
67351-3005	1.27/.050	1.27/.050	2
67351-3006	2.79/.011	2.79/.011	2
67351-3007	3.12/.123	3.12/.123	2
67351-3008	2.34/.011	4.83/.190	2

MODIFICATION EC NO: SH2004-0129 DRWN: TXUE 2004/03/04 CHK: GRMA 2004/03/04 APPR: SAM 2004/03/04	QUALITY SYMBOLS MAJOR CRITICAL DESCRIPTION REV	GENERAL TOLERANCES: (UNLESS SPECIFIED)		SCALE 2:1	DESIGN UNITS <input checked="" type="checkbox"/> mm <input checked="" type="checkbox"/> INCH	DIMENSIONS: <input checked="" type="checkbox"/> mm <input type="checkbox"/> INCH <input type="checkbox"/> mm <input type="checkbox"/> ONLY	SHT REV	
		4 PLACES ± . ± . 3 PLACES ± . ± .010 2 PLACES ± 0.25 ± .010 1 PLACE ± 0.25 ± .010		DRAWN BY & DATE GRACE 00/09/05	TITLE: DVI-INTERGRATED VERTICAL RECEPTACLE CONNECTOR			REVISION ON CAD ONLY
		ANGULAR: ± 3°		APPROVED BY & DATE MLIN 00/09/05	MOLEX INCORPORATED			SHEET NO. 1 OF 2
		DRAFT WHERE APPLICABLE MUST REMAIN WITHIN DIMENSIONS		CAD FILENAME SD67351002.S01	MATERIAL NO. SEE CHART	DRAWING NO. SD-67351-002	THIS DRAWING CONTAINS INFORMATION THAT IS PROPRIETARY TO MOLEX INCORPORATED AND SHOULD NOT BE USED WITHOUT WRITTEN PERMISSION.	

8 7 6 5 4 3 2 1

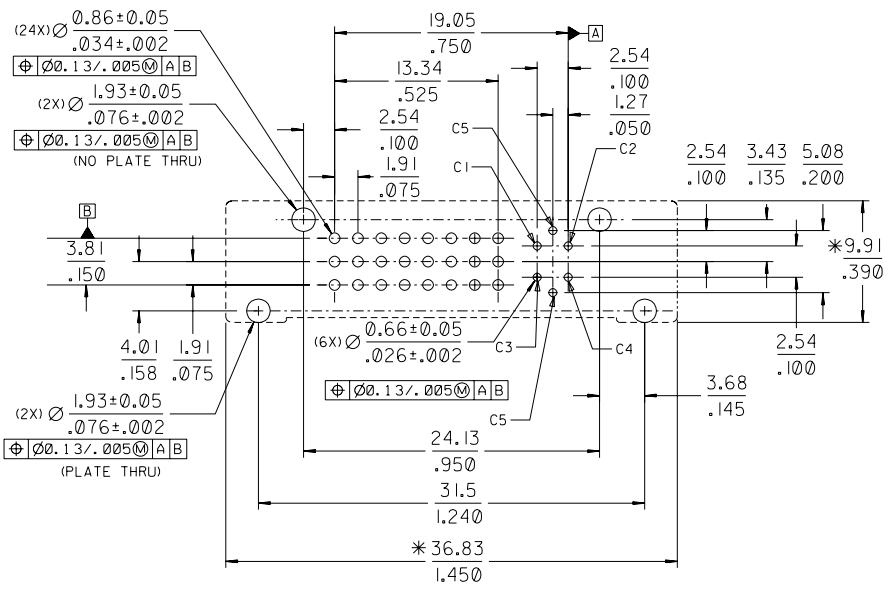
ENG. NO SEE CHART

EDP NO.

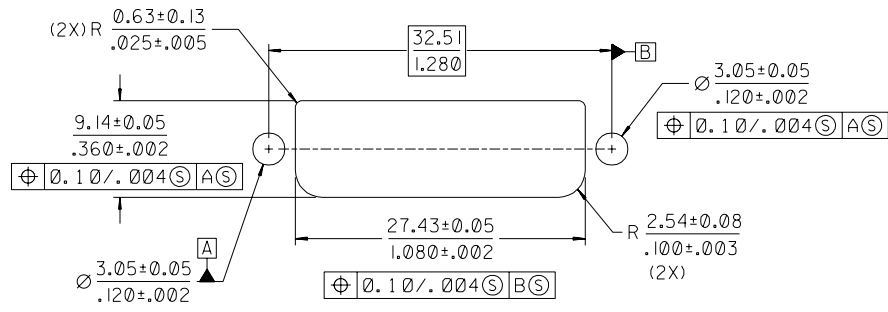
SIMILAR ITEM

CADFILE NO.:S6735102.S02

DO NOT SCALE DRAWING



*THESE DIMENSIONS REPRESENT CONNECTOR OVERLAY ON PCB.



RECOMMEND PANEL CUT-OUT
 PANEL THICKNESS:0.76/.030 - 1.02/.040

PLATING OPTIONS:

PLATING OPTION #1:

- OUTER SHIELD -- 150u"/3.75um MIN. BRIGHT TIN OVER
- 50u"/1.27um MIN. NICKEL OVER COPPER FLASH.
- .075"/1.91mm CONTACTS -- 30u"/0.75um MIN. SELECT GOLD AND 100u"/2.50um MIN. SELECT PURE TIN OVER 50u"/1.27um MIN. NICKEL OVERALL.
- .100"/2.54mm CONTACTS -- 30u"/0.75um MIN. SELECT GOLD AND 100u"/2.50um MIN. SELECT PURE TIN OVER 50u"/1.27um MIN. NICKEL OVERALL.
- MICROCROSS GROUND -- 30u"/0.75um MIN. SELECT GOLD AND 100u"/2.50um MIN. SELECT PURE TIN OVER 50u"/1.27um MIN. NICKEL OVERALL.

PLATING OPTION #2:

- OUTER SHIELD -- 150u"/3.75um MIN. BRIGHT TIN OVER
- 50u"/1.27um MIN. NICKEL OVER COPPER FLASH.
- .075"/1.91mm CONTACTS -- SELECT GOLD FLASH AND 100u"/2.50um MIN. SELECT PURE TIN OVER 50u"/1.27um MIN. NICKEL OVERALL.
- .100"/2.54mm CONTACTS -- SELECT GOLD FLASH AND 100u"/2.50um MIN. SELECT PURE TIN OVER 50u"/1.27um MIN. NICKEL OVERALL.
- MICROCROSS GROUND -- 30u"/0.75um MIN. SELECT GOLD AND 100u"/2.50um MIN. SELECT PURE TIN OVER 50u"/1.27um MIN. NICKEL OVERALL.

MODIFICATION EC NO. SH2004-029 DRWN: TXUE 2004/03/04 CHK: GRMA 2004/03/04 APPR: SAM 2004/03/04	QUALITY SYMBOLS MAJOR ∇ = 0 CRITICAL \triangle = 0	GENERAL TOLERANCES: (UNLESS SPECIFIED)		SCALE 2:1	DESIGN UNITS <input checked="" type="checkbox"/> mm <input checked="" type="checkbox"/> INCH	DIMENSIONS: <input checked="" type="checkbox"/> mm <input type="checkbox"/> INCH <input type="checkbox"/> mm ONLY	SHT REV	
		4 PLACES ± . ± . 3 PLACES ± . ± .010 2 PLACES ±0.25 ±.010 1 PLACE ±0.25 ±.010		DRAWN BY & DATE GRACE 00/09/05		TITLE: DVI-INTERGRATED VERTICAL RECEPTACLE CONNECTOR		REVISION ON CAD ONLY
		ANGULAR: ±3°		CHECKED BY & DATE SASHIN 00/09/05		APPROVED BY & DATE MLIN 00/09/05		SHEET NO. 2 OF 2
		DRAFT WHERE APPLICABLE MUST REMAIN WITHIN DIMENSIONS		CAD FILENAME SD67351002.S02		MATERIAL NO. SEE CHART		DRAWING NO. SD-67351-002