

# THS0842

## DUAL-INPUT, 8-BIT, 40 MSPS LOW-POWER ANALOG-TO-DIGITAL CONVERTER WITH SINGLE OR DUAL PARALLEL BUS OUTPUT

SLAS246A – DECEMBER 1999 – REVISED AUGUST 2000

### features

- Dual Simultaneous Sample and Hold Inputs
- Differential or Single-Ended Analog Inputs
- 8-Bit Resolution 40 MSPS Sampling Analog-to-Digital Converter (ADC)
- Single or Dual Parallel Bus Output
- Low Power Consumption: 275 mW Typ Using External References
- Wide Analog Input Bandwidth: 600 MHz Typ
- 3.3 V Single-Supply Operation
- 3.3 V TTL/CMOS-Compatible Digital I/O
- Internal or External Bottom and Top Reference Voltages
- Adjustable Reference Input Range
- Power-Down (Standby) Mode
- 48-Pin Thin Quad Flat Pack (TQFP) Package

### applications

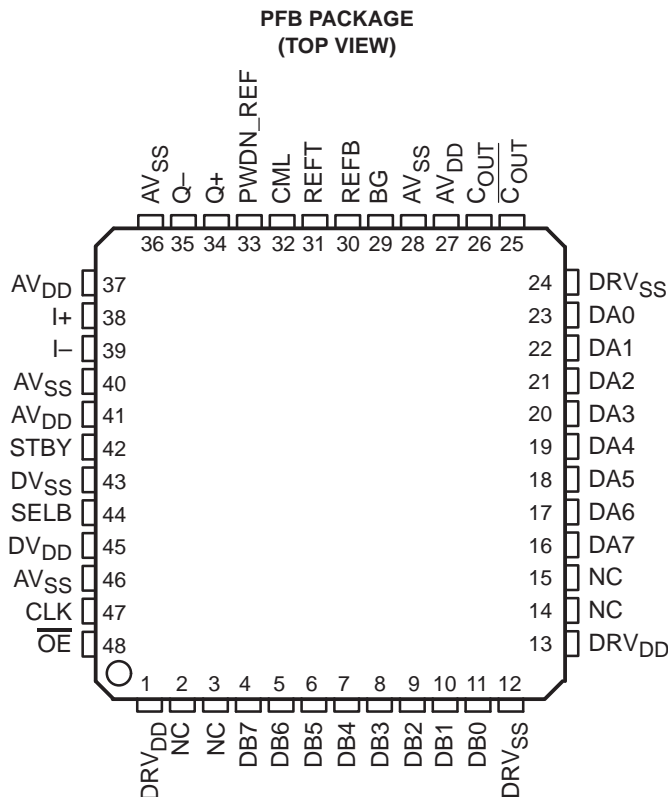
- Digital Communications (Baseband Sampling)
- Cable Modems
- Set Top Boxes
- Test Instruments

### description

The THS0842 is a dual 8-bit 40 MSPS high-speed A/D converter. It alternately converts each analog input signal into 8-bit binary-coded digital words up to a maximum sampling rate of 40 MSPS with an 80 MHz clock. All digital inputs and outputs are 3.3 V TTL/CMOS-compatible.

Thanks to an innovative single-pipeline architecture implemented in a CMOS process and the 3.3 V supply, the device consumes very little power. In order to provide maximum flexibility, both bottom and top voltage references can be set from user supplied voltages. Alternately, if no external references are available, on-chip references can be used which are also made available externally. The full-scale range is 1 V<sub>pp</sub>, depending on the analog supply voltage. If external references are available, the internal references can be powered down independently from the rest of the chip, resulting in an even greater power saving.

The device is specifically suited for the baseband sampling of wireless local loop (WLL) communication, cable modems, set top boxes (STBs), and test instruments.



#### AVAILABLE OPTIONS

T <sub>A</sub>	PACKAGED DEVICES
	-40°C to 85°C



Please be aware that an important notice concerning availability, standard warranty, and use in critical applications of Texas Instruments semiconductor products and disclaimers thereto appears at the end of this data sheet.

PRODUCTION DATA information is current as of publication date. Products conform to specifications per the terms of Texas Instruments standard warranty. Production processing does not necessarily include testing of all parameters.

**TEXAS  
INSTRUMENTS**

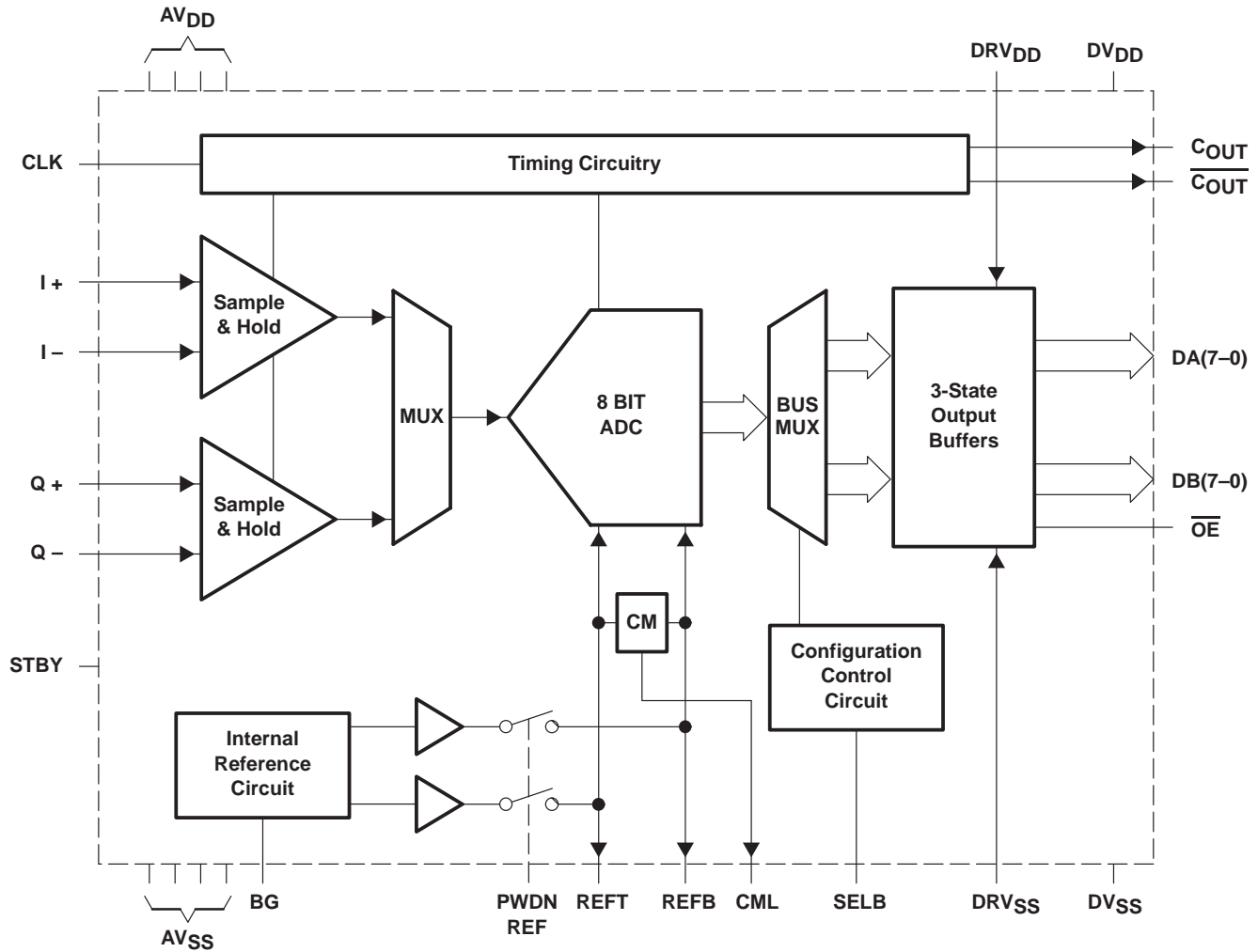
POST OFFICE BOX 655303 • DALLAS, TEXAS 75265

Copyright © 2000, Texas Instruments Incorporated

**THS0842**  
**DUAL-INPUT, 8-BIT, 40 MSPS LOW-POWER ANALOG-TO-DIGITAL CONVERTER**  
**WITH SINGLE OR DUAL PARALLEL BUS OUTPUT**

SLAS246A – DECEMBER 1999 – REVISED AUGUST 2000

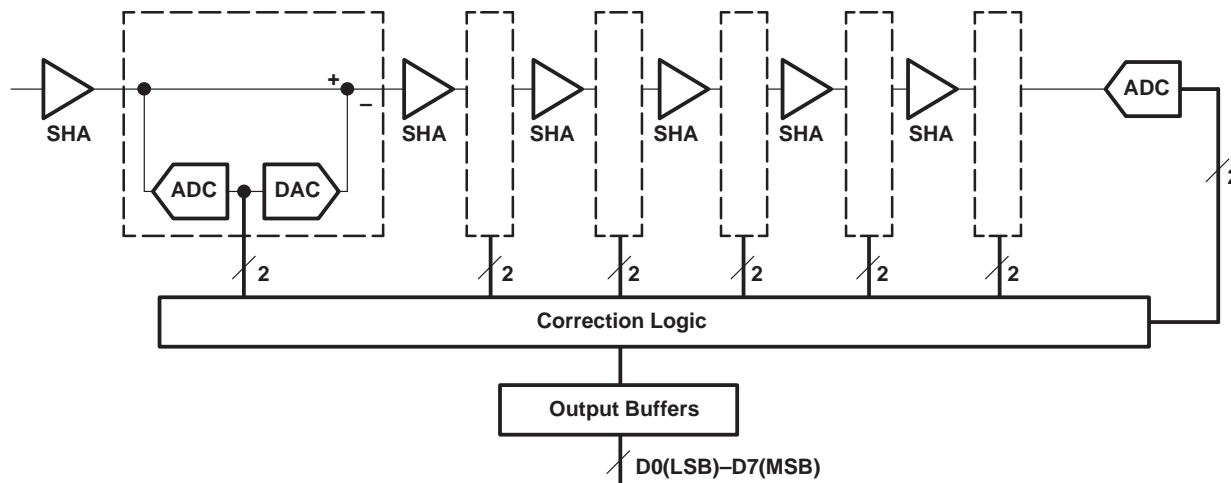
**functional block diagram**



THS0842  
**DUAL-INPUT, 8-BIT, 40 MSPS LOW-POWER ANALOG-TO-DIGITAL CONVERTER  
 WITH SINGLE OR DUAL PARALLEL BUS OUTPUT**

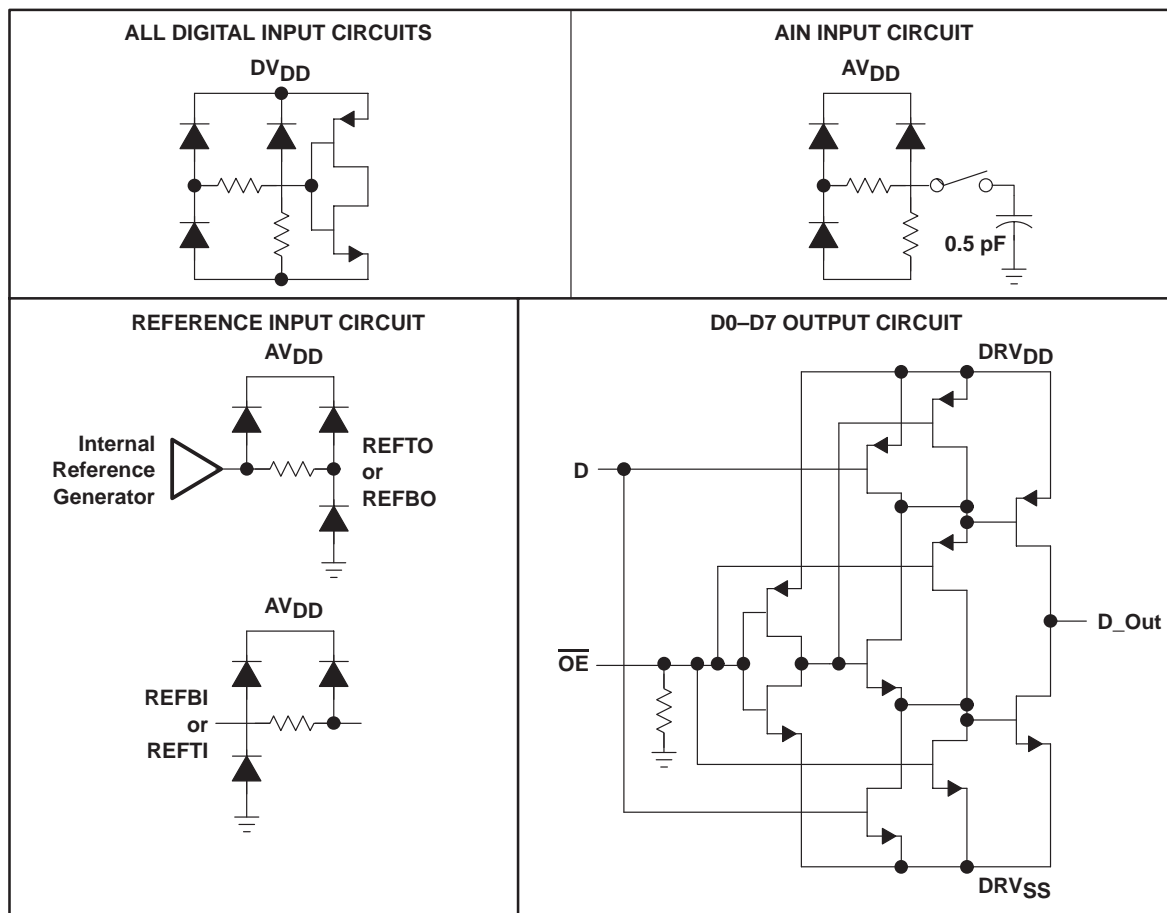
SLAS246A – DECEMBER 1999 – REVISED AUGUST 2000

**ADC pipeline block diagram**



The single-pipeline architecture uses 6 ADC/DAC stages and one final flash ADC. Each stage produces a resolution of 2 bits. Digital correction logic generates its result using the 2-bit result from the first stage, 1 bit from each of the 5 succeeding stages, and 1 bit from the final stage in order to arrive at an 8-bit result. The correction logic ensures no missing codes over the full operating temperature range.

**circuit diagrams of inputs and outputs**



# DUAL-INPUT, 8-BIT, 40 MSPS LOW-POWER ANALOG-TO-DIGITAL CONVERTER WITH SINGLE OR DUAL PARALLEL BUS OUTPUT

SLAS246A – DECEMBER 1999 – REVISED AUGUST 2000

## Terminal Functions

TERMINAL NAME	NO.	I/O	DESCRIPTION
AV <sub>DD</sub>	27, 37, 41	I	Analog supply voltage
AV <sub>SS</sub>	28, 36, 40, 46	I	Analog ground
BG	29	O	Band gap reference voltage. A 1- $\mu$ F capacitor with a 0.1- $\mu$ F capacitor in parallel should be connected between this terminal and AV <sub>SS</sub> for external filtering.
CLK	47	I	Clock input. The input is sampled on each rising edge of CLK.
CML	32	O	Common mode level. This voltage is equal to (AV <sub>DD</sub> – AV <sub>SS</sub> )/2. An external 1- $\mu$ F capacitor with a 0.1- $\mu$ F capacitor in parallel should be connected between this terminal and AV <sub>SS</sub> .
C <sub>OUT</sub>	26	O	Latch clock for the data outputs
$\overline{\text{C}}_{\text{OUT}}$	25	O	Inverted latch clock for the data outputs
DB7 – DB0	4 – 11	O	Data outputs. D7 is the MSB. This is the second bus. Data is output from the Q channel when dual bus output mode is selected. Pin SELB selects the output mode.
DRV <sub>DD</sub>	1, 13	I	Supply voltage for output drivers
DRV <sub>SS</sub>	12, 24	I	Ground for digital output drivers
DA7 – DA0	16 – 23	I	Data outputs for bus A. D7 is MSB. This is the primary bus. Data from both input channels can be output on this bus or data from the I channel only. Pin SELB selects the output mode.
DV <sub>DD</sub>	45	I	Digital supply voltage
DV <sub>SS</sub>	43	I	Digital ground
I <sup>-</sup>	39	I	Negative input for analog channel 0.
I <sup>+</sup>	38	I	Positive input for analog channel 0.
NC	2,3,14,15		No connect. Reserved for future use
$\overline{\text{OE}}$	48	I	Output enable. A high on this terminal will disable the output bus.
PWDN_REF	33	I	Power down for internal reference voltages. A high on this terminal will disable the internal reference circuit.
Q <sup>-</sup>	35	I	Negative input for analog channel 1
Q <sup>+</sup>	34	I	Positive input for analog channel 1
REFB	30	I/O	Reference voltage bottom. The voltage at this terminal defines the bottom reference voltage for the ADC. Sufficient filtering should be applied to this input. A 1- $\mu$ F capacitor with a 0.1- $\mu$ F capacitor in parallel should be connected between REFB and AV <sub>SS</sub> . Additionally, a 0.1- $\mu$ F capacitor can be connected between REFT and REFB.
REFT	31	I/O	Reference voltage top. The voltage at this terminal defines the top reference voltage for the ADC. Sufficient filtering should be applied to this input. A 1- $\mu$ F capacitor with a 0.1- $\mu$ F capacitor in parallel should be connected between REFT and AV <sub>SS</sub> . Additionally, a 0.1- $\mu$ F capacitor can be connected between REFT and REFB.
SELB	44	I	Selects either single bus or data output or dual bus output data output. A low selects dual bus data output.
STBY	42	I	Standby input. A high level on this terminal will power down the device.

# THS0842

## DUAL-INPUT, 8-BIT, 40 MSPS LOW-POWER ANALOG-TO-DIGITAL CONVERTER WITH SINGLE OR DUAL PARALLEL BUS OUTPUT

SLAS246A – DECEMBER 1999 – REVISED AUGUST 2000

### absolute maximum ratings over operating free-air temperature (unless otherwise noted)†

Supply voltage: $AV_{DD}$ to AGND, $DV_{DD}$ to DGND	–0.5 V to 4 V
Supply voltage: $AV_{DD}$ to $DV_{DD}$ , AGND to DGND	–0.5 V to 0.5 V
Digital input voltage range to DGND	–0.5 V to $DV_{DD} + 0.5$ V
Analog input voltage range to AGND	–0.5 V to $AV_{DD} + 0.5$ V
Digital output voltage applied from external source to DGND	–0.5 V to $DV_{DD} + 0.5$ V
Reference voltage input range to AGND: $V_{(REFT)}$ , $V_{(REFB)}$	–0.5 V to $AV_{DD} + 0.5$ V
Operating free-air temperature range, $T_A$	–40°C to 85°C
Storage temperature range, $T_{stg}$	–55°C to 150°C

† Stresses beyond those listed under “absolute maximum ratings” may cause permanent damage to the device. These are stress ratings only, and functional operation of the device at these or any other conditions beyond those indicated under “recommended operating conditions” is not implied. Exposure to absolute-maximum-rated conditions for extended periods may affect device reliability.

### recommended operating conditions over operating free-air temperature range

#### power supply

		MIN	NOM	MAX	UNIT
Supply voltage	$AV_{DD}$	3	3.3	3.6	V
	$DV_{DD}$				
	$DRV_{DD}$				

#### analog and reference inputs

	MIN	NOM	MAX	UNIT
Reference input voltage (top), $V_{(REFT)}$	(NOM) – 0.2	$AV_{DD} - 1$	(NOM) + 0.2	V
Reference input voltage (bottom), $V_{(REFB)}$	0.8	1	1.2	V
Reference voltage differential, $V_{(REFT)} - V_{(REFB)}$			$AV_{DD} - 2$	V
Analog input voltage, $V_{(IN)}$	$V_{(REFB)}$		$V_{(REFT)}$	V

#### digital inputs

	MIN	NOM	MAX	UNIT
High-level input voltage, $V_{IH}$	2.0		$DV_{DD}$	V
Low-level input voltage, $V_{IL}$	DGND		$0.2 \times DV_{DD}$	V
Clock period, $t_c$	12.5			ns
Pulse duration, clock high, $t_w(\text{CLKH})$	5.25			ns
Pulse duration, clock low, $t_w(\text{CLKL})$	5.25			ns



# DUAL-INPUT, 8-BIT, 40 MSPS LOW-POWER ANALOG-TO-DIGITAL CONVERTER WITH SINGLE OR DUAL PARALLEL BUS OUTPUT

SLAS246A – DECEMBER 1999 – REVISED AUGUST 2000

electrical characteristics over recommended operating conditions with  $f_{CLK} = 80$  MSPS and use of internal voltage references,  $AV_{DD} = DV_{DD} = DRV_{DD} = 3$  V,  $T_A = T_{MIN}$  to  $T_{MAX}$ , dual output bus mode (unless otherwise noted)

## power supply

PARAMETER		TEST CONDITIONS	MIN	TYP	MAX	UNIT
I <sub>DD</sub>	Operating supply current	AV <sub>DD</sub> = DV <sub>DD</sub> = DRV <sub>DD</sub> = 3.3 V, C <sub>L</sub> = 15 pF, V <sub>I</sub> = 1 MHz, -1 dBFS		73	95	mA
				3	3.8	
				17	22	
P <sub>D</sub>	Power dissipation	PWDN_REF = L		320	393	mW
		PWDN_REF = H		275	335	
P <sub>D</sub> (STBY)	Standby power	STBY = H, CLK held high or low		11	15	

## logic inputs

PARAMETER		TEST CONDITIONS	MIN	TYP	MAX	UNIT
I <sub>IH</sub>	High-level input current on CLK <sup>†</sup>	AV <sub>DD</sub> = DV <sub>DD</sub> = DRV <sub>DD</sub> = CLK = 3.6 V			10	μA
I <sub>IL</sub>	Low-level input current on digital inputs (OE, STDBY, PWDN_REF, CLK)	AV <sub>DD</sub> = DV <sub>DD</sub> = DRV <sub>DD</sub> = 3.6 V, Digital inputs at 0 V			10	μA
C <sub>I</sub>	Input capacitance			5		pF

<sup>†</sup> I<sub>IH</sub> leakage current on other digital inputs (OE, STDBY, PWDN\_REF) is not measured since these inputs have an internal pull-down resistor of 4 KΩ to DGND.

## logic outputs

PARAMETER		TEST CONDITIONS	MIN	TYP	MAX	UNIT
V <sub>OH</sub>	High-level output voltage	AV <sub>DD</sub> = DV <sub>DD</sub> = DRV <sub>DD</sub> = 3 V at I <sub>OH</sub> = 50 μA, Digital output forced high	2.8			V
V <sub>OL</sub>	Low-level output voltage	AV <sub>DD</sub> = DV <sub>DD</sub> = DRV <sub>DD</sub> = 3.6 V at I <sub>OL</sub> = 50 μA, Digital output forced low			0.1	V
C <sub>O</sub>	Output capacitance			5		pF
I <sub>OZH</sub>	High-impedance state output current to high level	AV <sub>DD</sub> = DV <sub>DD</sub> = DRV <sub>DD</sub> = 3.6 V			10	μA
I <sub>OZL</sub>	High-impedance state output current to low level				10	μA

# THS0842

## DUAL-INPUT, 8-BIT, 40 MSPS LOW-POWER ANALOG-TO-DIGITAL CONVERTER WITH SINGLE OR DUAL PARALLEL BUS OUTPUT

SLAS246A – DECEMBER 1999 – REVISED AUGUST 2000

**electrical characteristics over recommended operating conditions with  $f_{CLK} = 80$  MSPS and use of internal voltage references,  $AV_{DD} = DV_{DD} = DRV_{DD} = 3$  V,  $T_A = T_{MIN}$  to  $T_{MAX}$ , dual output bus mode (unless otherwise noted) (continued)**

### dc accuracy

PARAMETER	TEST CONDITIONS	MIN	TYP	MAX	UNIT
Integral nonlinearity (INL), best-fit	See Note 1 $T_A = -40^\circ\text{C}$ to $85^\circ\text{C}$	-2.2	$\pm 1.5$	2.2	LSB
Differential nonlinearity (DNL)	See Note 2 $T_A = -40^\circ\text{C}$ to $85^\circ\text{C}$	-1	$\pm 0.7$	2	LSB
Offset error	$T_A = -40^\circ\text{C}$ to $85^\circ\text{C}$ , (see Note 3)		$\pm 0.1$	5	%FS
Gain error			$\pm 7.1$		%FS
Offset match	$T_A = -40^\circ\text{C}$ to $85^\circ\text{C}$ , (see Note 4)	-1	$\pm 0.1$	1	LSB
Gain match	$T_A = -40^\circ\text{C}$ to $85^\circ\text{C}$ , (see Note 5)	-5		1	LSB
Missing codes – no missing codes assured					

- NOTES:
- Integral nonlinearity refers to the deviation of each individual code from a line drawn from zero to full scale. The point used as zero occurs 1/2 LSB before the first code transition. The full-scale point is defined as a level 1/2 LSB beyond the last code transition. The deviation is measured from the center of each particular code to the best fit line between these two endpoints.
  - An ideal ADC exhibits code transitions that are exactly 1 LSB apart. DNL is the deviation from this ideal value. Therefore this measure indicates how uniform the transfer function step sizes are. The ideal step size is defined here as the step size for the device under test (i.e., (last transition level – first transition level)  $\div$  (2<sup>n</sup> – 2)). Using this definition for DNL separates the effects of gain and offset error. A minimum DNL better than –1 LSB ensures no missing codes.
  - Offset error is defined as the difference in analog input voltage – between the ideal voltage and the actual voltage – that will switch the ADC output from code 0 to code 1. The ideal voltage level is determined by adding the voltage corresponding to 1/2 LSB to the bottom reference level. The voltage corresponding to 1 LSB is found from the difference of top and bottom references divided by the number of ADC output levels (256).

Gain error is defined as the difference in analog input voltage – between the ideal voltage and the actual voltage – that will switch the ADC output from code 254 to code 255. The ideal voltage level is determined by subtracting the voltage corresponding to 1.5 LSB from the top reference level. The voltage corresponding to 1 LSB is found from the difference of top and bottom references divided by the number of ADC output levels (256).

- Offset match is the change in offset error between I and Q channels.
- Gain match is the change in gain error between I and Q channels.

### analog input

PARAMETER	TEST CONDITIONS	MIN	TYP	MAX	UNIT
$C_I$ Input capacitance			4		pF

### reference input ( $AV_{DD} = DV_{DD} = DRV_{DD} = 3.6$ V)

PARAMETER	TEST CONDITIONS	MIN	TYP	MAX	UNIT
$R_{ref}$ Reference input resistance			200		$\Omega$
$I_{ref}$ Reference input current			5		mA

### reference outputs

PARAMETER	TEST CONDITIONS	MIN	TYP	MAX	UNIT
$V_{(REFT)}$ Reference top voltage	$AV_{DD} = 3$ V	$2 + [(AV_{DD} - 3)/2]$			V
$V_{(REFB)}$ Reference bottom voltage		$1 + [(AV_{DD} - 3)/2]$			
$V_{REFB} - V_{REFB}$	Absolute min/max values valid and tested for $AV_{DD} = 3$ V	0.9	1	1.3	V



# DUAL-INPUT, 8-BIT, 40 MSPS LOW-POWER ANALOG-TO-DIGITAL CONVERTER WITH SINGLE OR DUAL PARALLEL BUS OUTPUT

SLAS246A – DECEMBER 1999 – REVISED AUGUST 2000

electrical characteristics over recommended operating conditions with  $f_{CLK} = 80$  MSPS and use of internal voltage references,  $AV_{DD} = DV_{DD} = DRV_{DD} = 3$  V,  $T_A = T_{MIN}$  to  $T_{MAX}$ , dual output bus mode (unless otherwise noted) (continued)

## dynamic performance†

PARAMETER	TEST CONDITIONS	MIN	TYP	MAX	UNIT
Effective number of bits, ENOB	$f_{in} = 1$ MHz	6.6	6.9		Bits
	$f_{in} = 15$ MHz	6.4	6.8		
	$f_{in} = 20$ MHz	6.4	6.8		
Signal-to-total harmonic distortion + noise, S/(THD+N)	$f_{in} = 1$ MHz	41.5	43.5		dB
	$f_{in} = 15$ MHz	40	42.5		
	$f_{in} = 20$ MHz	40	42.5		
Total harmonic distortion (THD)	$f_{in} = 1$ MHz		-51	-46	dB
	$f_{in} = 15$ MHz		-48.5	-44	
	$f_{in} = 20$ MHz		-48.5	-44	
Spurious free dynamic range (SFDR)	$f_{in} = 1$ MHz	48	53		dB
	$f_{in} = 15$ MHz	47	52.2		
	$f_{in} = 20$ MHz	46	52		
Analog input full-power bandwidth, BW	See Note 6		600		MHz
Intermodulation distortion	$f_1 = 1$ MHz, $f_2 = 1.02$ MHz		50		dBc
I/Q channel crosstalk	$AV_{DD} = DV_{DD} = DRV_{DD} = 3.3$ V		-52		dBc

† Based on analog input voltage of  $-1$  dBFS referenced to a  $1.3$  V<sub>pp</sub> full-scale input range.

NOTE 6: The analog input bandwidth is defined as the maximum frequency of a  $-1$  dBFS input sine that can be applied to the device for which an extra 3 dB attenuation is observed in the reconstructed output signal.

## timing requirements

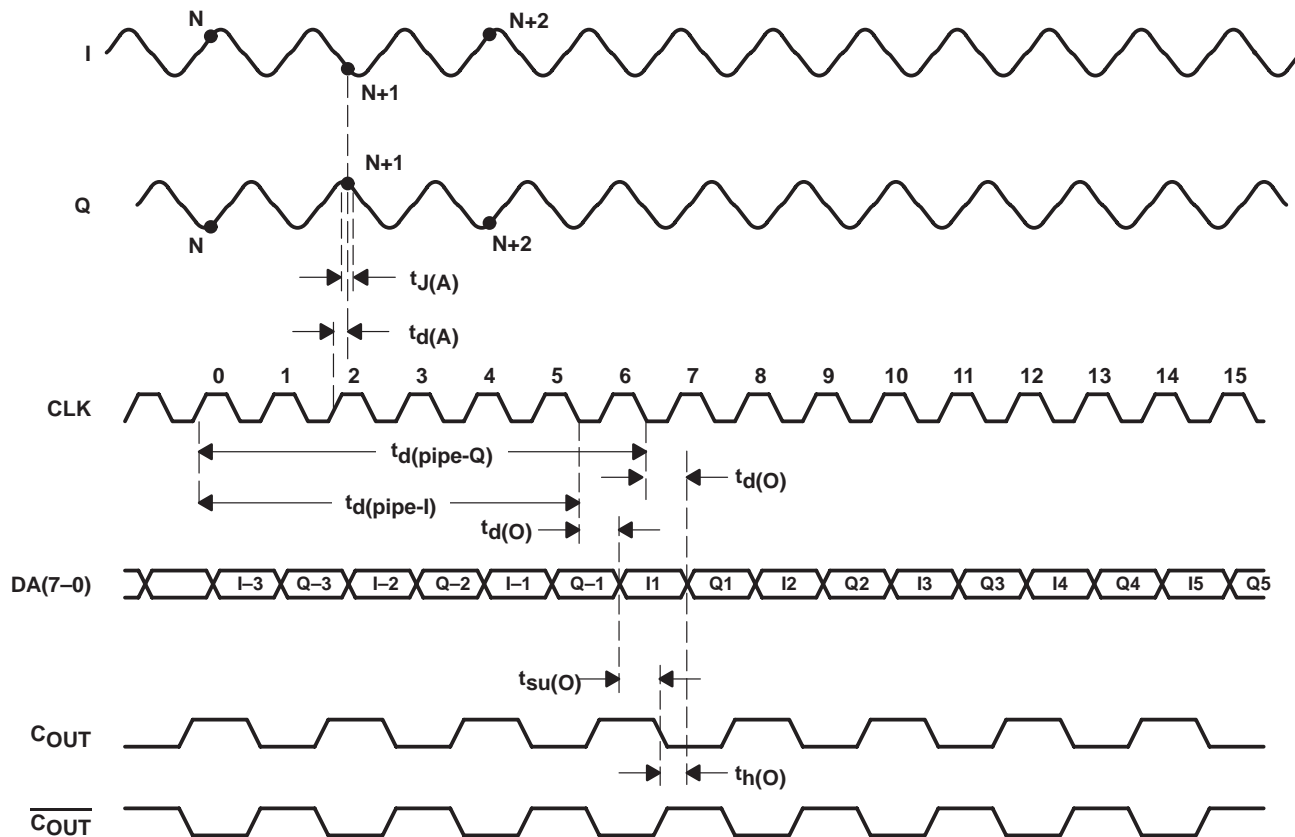
PARAMETER	TEST CONDITIONS	MIN	TYP	MAX	UNIT	
$f_{clk}$	Maximum clock rate (see Note 7)			80	MHz	
	Minimum clock rate	10			kHz	
$t_{d(O)}$	Output delay time (see timing diagram)	$C_L = 10$ pF		9	ns	
$t_{h(O)}$	Output hold time from $C_{OUT}$ or $\overline{C_{OUT}}$ to data invalid	2			ns	
$t_{d(pipe)}$	Pipeline delay (latency)	I data	5.5	5.5	5.5	CLK cycles
		Q data	6.5	6.5	6.5	cycles
$t_{d(a)}$	Aperture delay time		3		ns	
$t_{j(a)}$	Aperture jitter		1.5		ps, rms	
$t_{dis}$	Disable time, $\overline{OE}$ rising to Hi-Z		5		ns	
$t_{en}$	Enable time, $\overline{OE}$ falling to valid data		5		ns	
$t_{su(O)}$	Output setup time from data to $C_{OUT}$ or $\overline{C_{OUT}}$	8	7		ns	

NOTE 7: Conversion rate is 1/2 the clock rate,  $f_{clk}$ .

THS0842  
**DUAL-INPUT, 8-BIT, 40 MSPS LOW-POWER ANALOG-TO-DIGITAL CONVERTER  
 WITH SINGLE OR DUAL PARALLEL BUS OUTPUT**

SLAS246A – DECEMBER 1999 – REVISED AUGUST 2000

**PARAMETER MEASUREMENT INFORMATION**



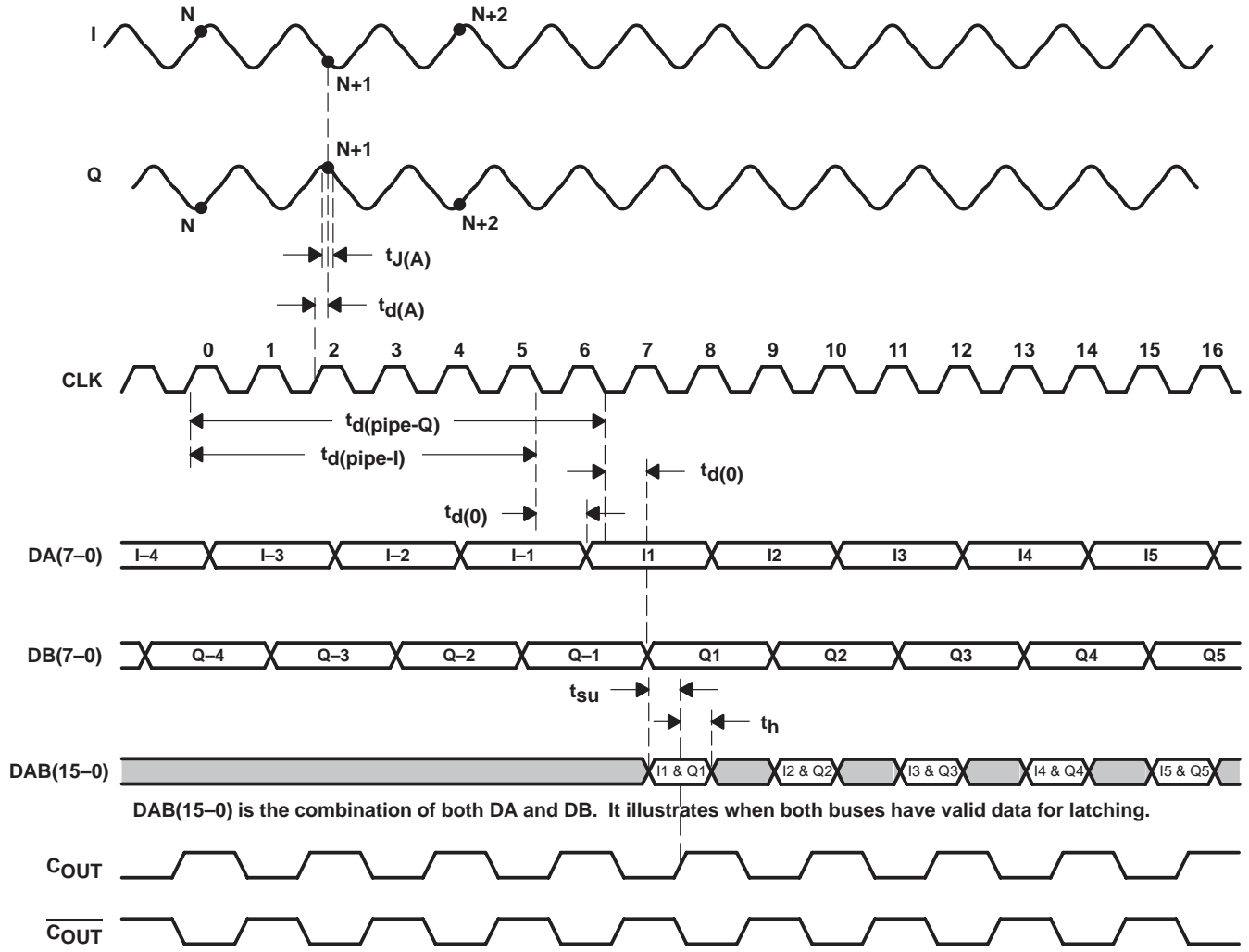
NOTE A: The relationship between CLK and COUT/COUT-bar is not fixed and depends on the power-on conditions. Data out should be referenced to COUT and COUT-bar.

**Figure 1. Timing Diagram, Single Bus Output**

**THS0842**  
**DUAL-INPUT, 8-BIT, 40 MSPS LOW-POWER ANALOG-TO-DIGITAL CONVERTER**  
**WITH SINGLE OR DUAL PARALLEL BUS OUTPUT**

SLAS246A – DECEMBER 1999 – REVISED AUGUST 2000

**PARAMETER MEASUREMENT INFORMATION**



NOTE A: The relationship between CLK and  $\overline{COUT}/COUT$  is not fixed and depends on the power-on conditions. Data out should be referenced to  $\overline{COUT}$  and COUT.

**Figure 2. Timing Diagram, Dual Bus Output**



THS0842

# DUAL-INPUT, 8-BIT, 40 MSPS LOW-POWER ANALOG-TO-DIGITAL CONVERTER WITH SINGLE OR DUAL PARALLEL BUS OUTPUT

SLAS246A – DECEMBER 1999 – REVISED AUGUST 2000

## TYPICAL CHARACTERISTICS†

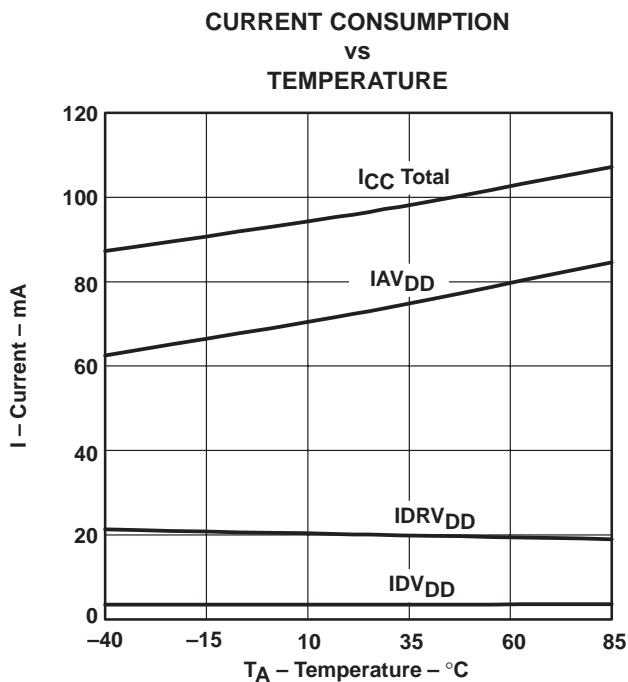


Figure 3

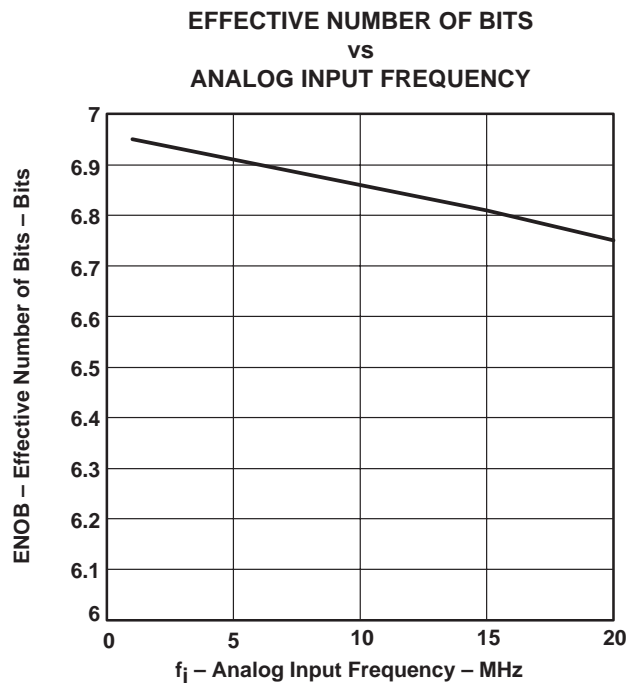


Figure 4

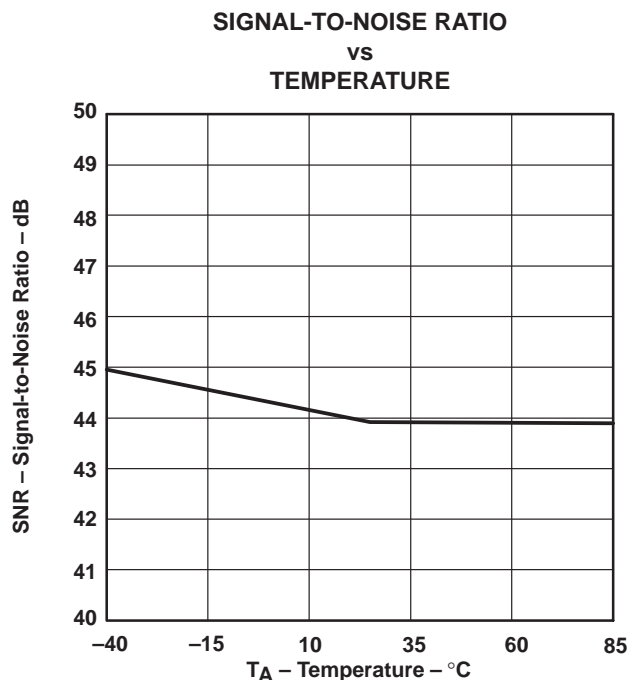


Figure 5

† Unless otherwise noted AV<sub>DD</sub> = DV<sub>DD</sub> = DRV<sub>DD</sub> = 3 V, f<sub>CLK</sub> = 80 MHz, analog input = -1 dB FS, T<sub>A</sub> = 25°C.

TYPICAL CHARACTERISTICS†

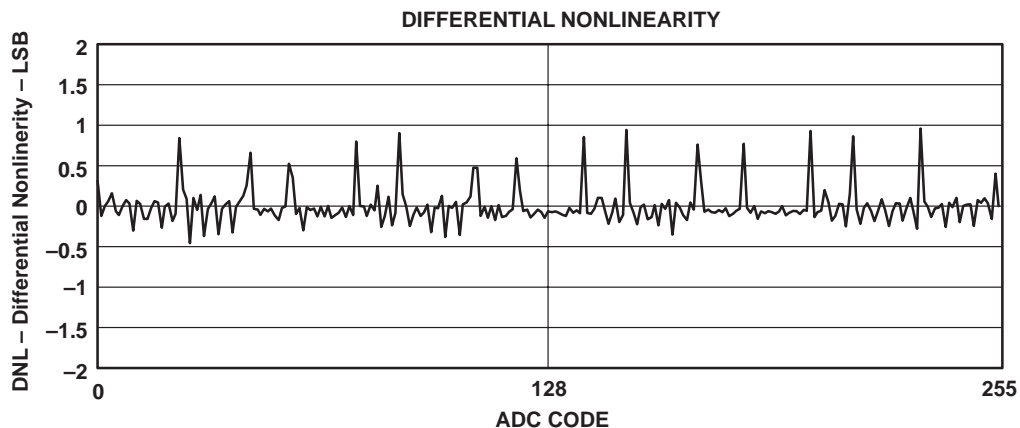


Figure 6

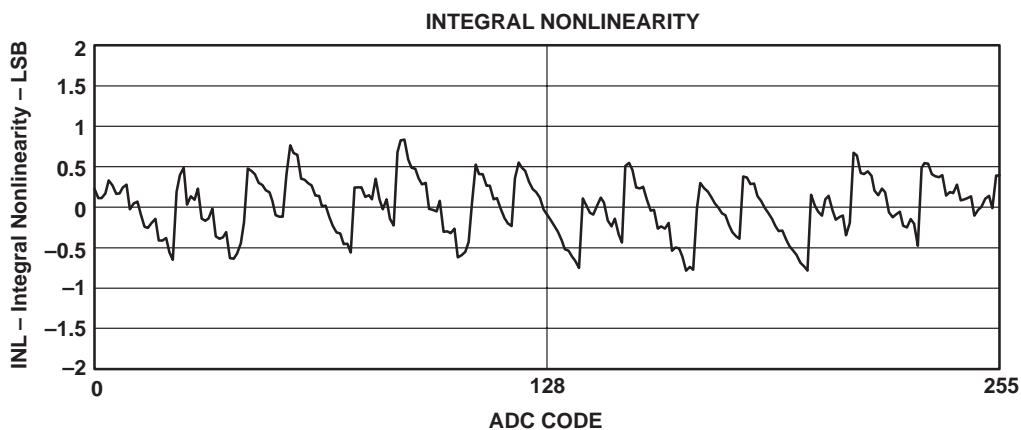


Figure 7

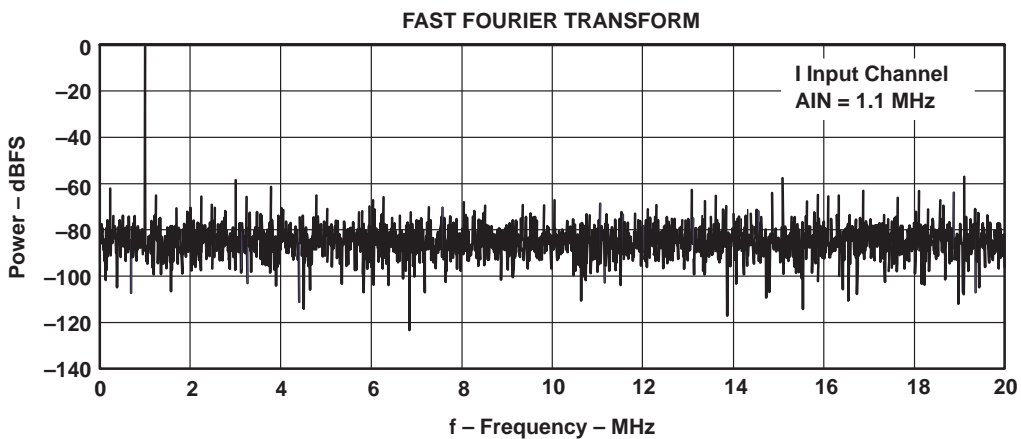


Figure 8

† Unless otherwise noted  $AV_{DD} = DV_{DD} = DRV_{DD} = 3\text{ V}$ ,  $f_{CLK} = 80\text{ MHz}$ , analog input =  $-1\text{ dB FS}$ ,  $T_A = 25^\circ\text{C}$ .

THS0842

# DUAL-INPUT, 8-BIT, 40 MSPS LOW-POWER ANALOG-TO-DIGITAL CONVERTER WITH SINGLE OR DUAL PARALLEL BUS OUTPUT

SLAS246A – DECEMBER 1999 – REVISED AUGUST 2000

## TYPICAL CHARACTERISTICS†

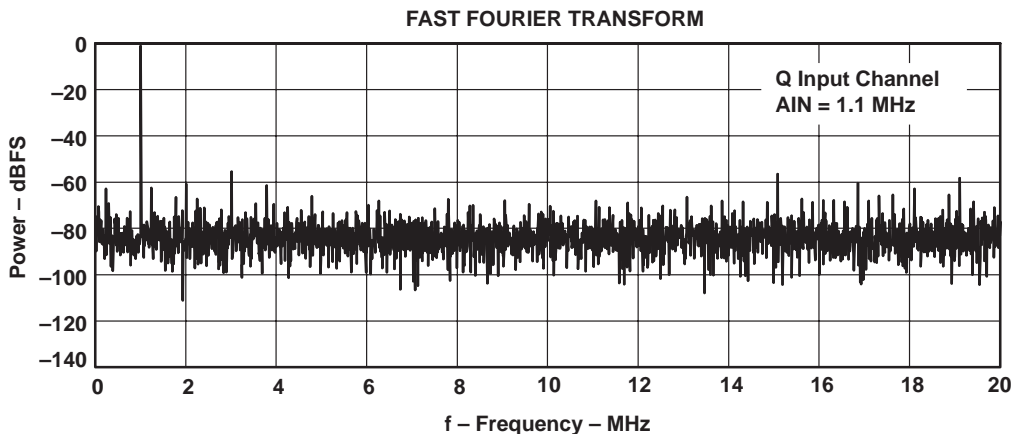


Figure 9

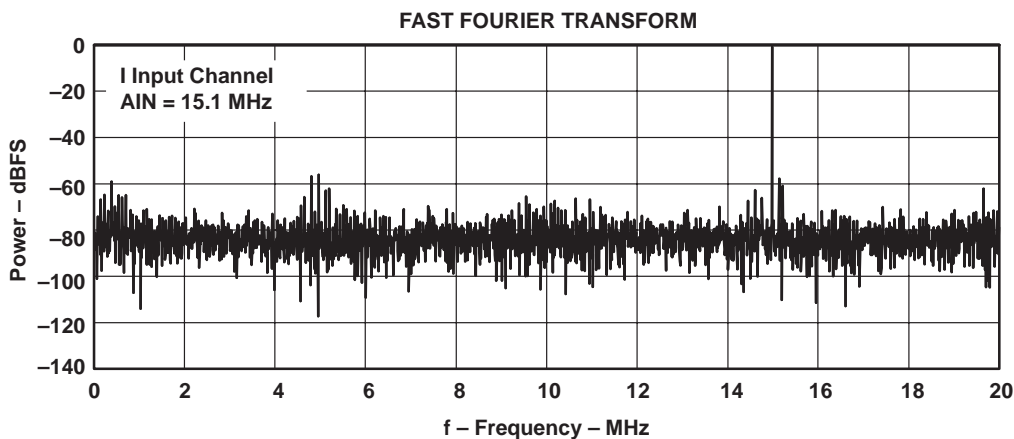


Figure 10

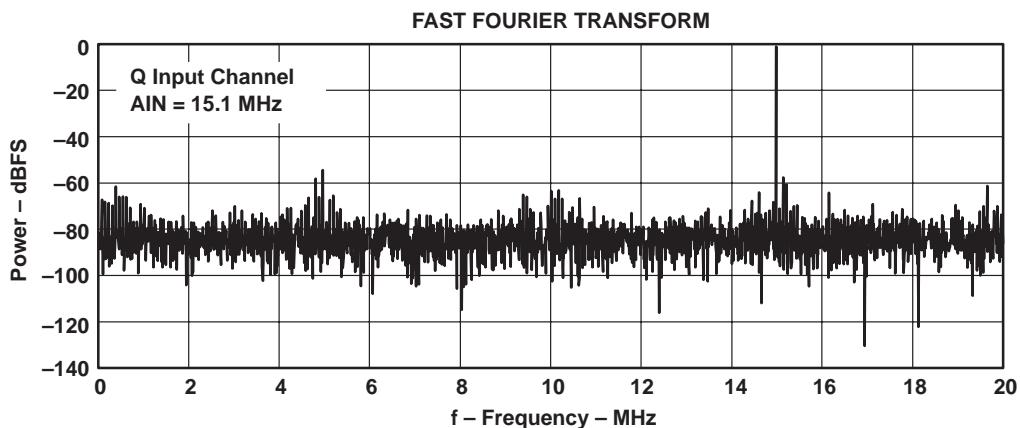


Figure 11

† Unless otherwise noted  $AV_{DD} = DV_{DD} = DRV_{DD} = 3\text{ V}$ ,  $f_{CLK} = 80\text{ MHz}$ , analog input =  $-1\text{ dB FS}$ ,  $T_A = 25^\circ\text{C}$ .

TYPICAL CHARACTERISTICS†

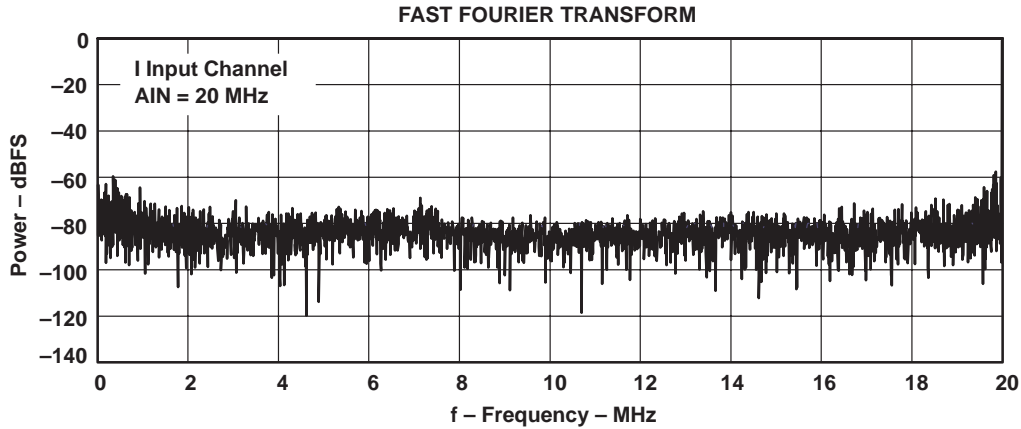


Figure 12

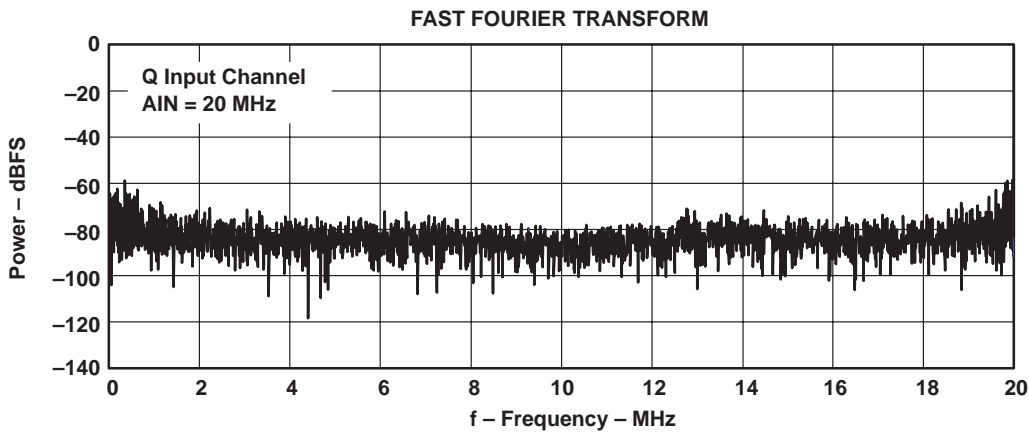


Figure 13

† Unless otherwise noted  $AV_{DD} = DV_{DD} = DRV_{DD} = 3\text{ V}$ ,  $f_{CLK} = 80\text{ MHz}$ , analog input =  $-1\text{ dB FS}$ ,  $T_A = 25^\circ\text{C}$ .

TYPICAL CHARACTERISTICS†

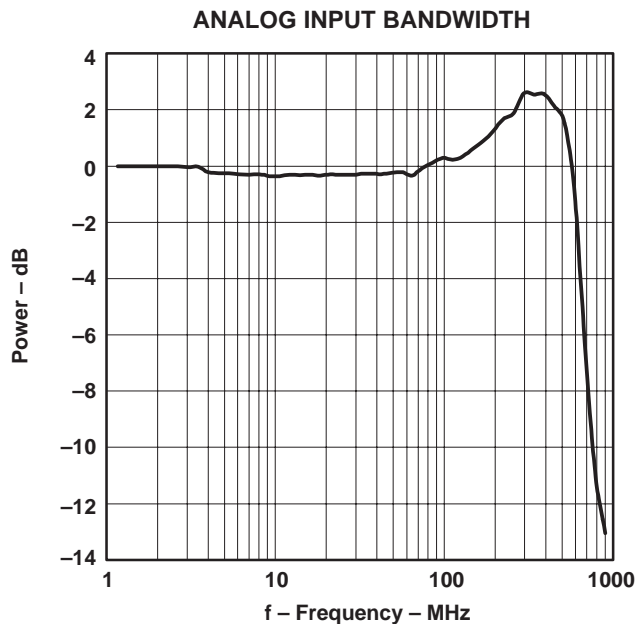


Figure 14

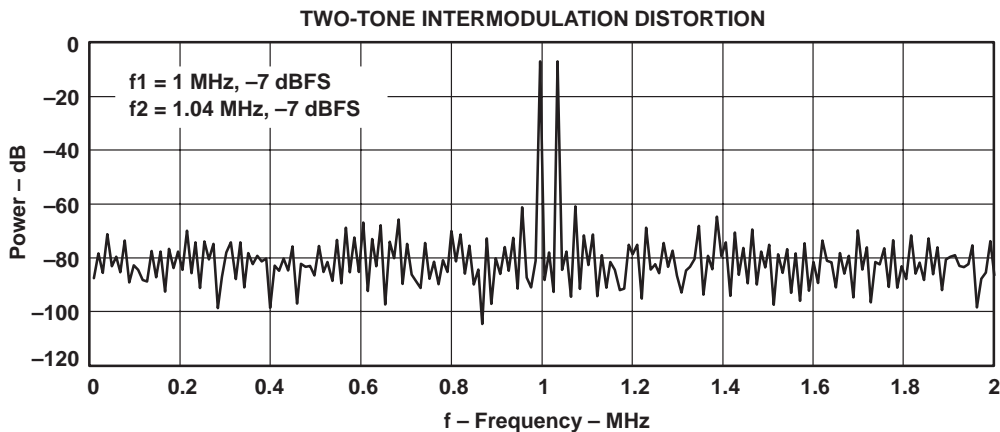


Figure 15

† Unless otherwise noted  $AV_{DD} = DV_{DD} = DRV_{DD} = 3\text{ V}$ ,  $f_{CLK} = 80\text{ MHz}$ , analog input =  $-1\text{ dB FS}$ ,  $T_A = 25^\circ\text{C}$ .

TYPICAL CHARACTERISTICS†

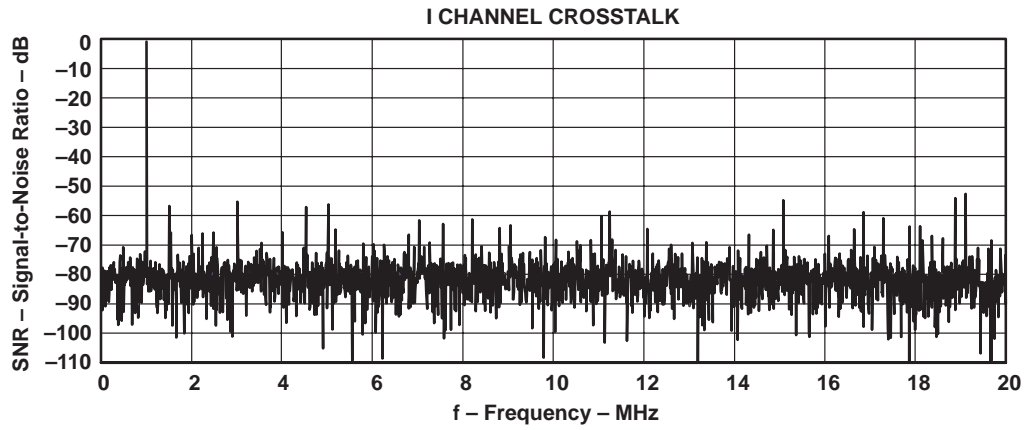


Figure 16

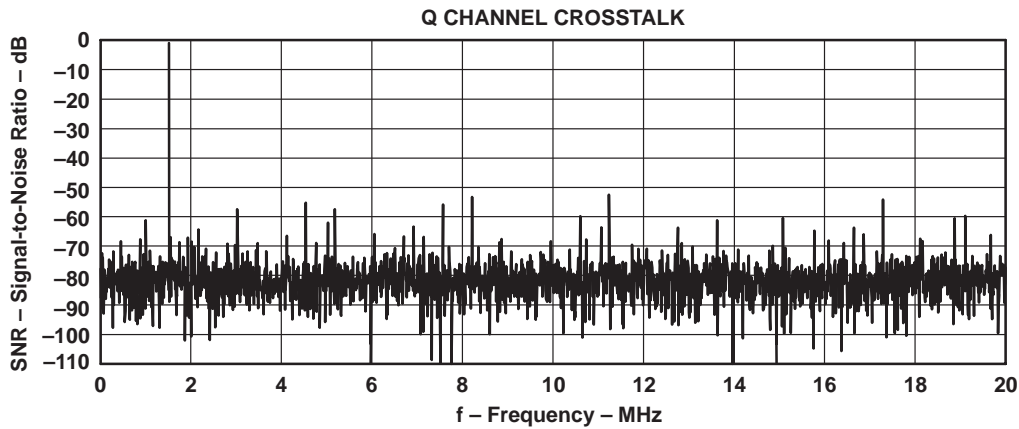


Figure 17

† Unless otherwise noted  $AV_{DD} = DV_{DD} = DRV_{DD} = 3\text{ V}$ ,  $f_{CLK} = 80\text{ MHz}$ , analog input =  $-1\text{ dB FS}$ ,  $T_A = 25^\circ\text{C}$ .

---

## PRINCIPLES OF OPERATION

### definitions of specifications and terminology

#### integral nonlinearity (INL)

Integral nonlinearity refers to the deviation of each individual code from a line drawn from zero through full scale. The point used as zero occurs 1/2 LSB before the first code transition. The full-scale point is defined as level 1/2 LSB beyond the last code transition. The deviation is measured from the center of each particular code to the true straight line between these two endpoints.

#### differential nonlinearity (DNL)

An ideal ADC exhibits code transitions that are exactly 1 LSB apart. DNL is the deviation from this ideal value. Therefore this measure indicates how uniform the transfer function step sizes are. The ideal step size is defined here as the step size for the device under test, i.e. (last transition level – first transition level)/(2n – 2). Using this definition for DNL separates the effects of gain and offset error. A minimum DNL better than –1 LSB ensures no missing codes.

#### offset and gain error

Offset error is defined as the difference in analog input voltage – between the ideal voltage and the actual voltage – that will switch the ADC output from code 0 to code 1. The ideal voltage level is determined by adding the voltage corresponding to 1/2 LSB to the bottom reference level. The voltage corresponding to 1 LSB is found from the difference of top and bottom references divided by the number of ADC output levels (256).

Gain error is defined as the difference in analog input voltage – between the ideal voltage and the actual voltage – that will switch the ADC output from code 254 to code 255. The ideal voltage level is determined by subtracting the voltage corresponding to 1.5 LSB from the top reference level. The voltage corresponding to 1 LSB is found from the difference of top and bottom references divided by the number of ADC output levels (256).

#### analog input bandwidth

The analog input bandwidth is defined as the maximum frequency of a 1-dBFS input sine wave that can be applied to the device for which an extra 3-dB attenuation is observed in the reconstructed output signal.

#### output timing

Output timing  $t_{d(O)}$  is measured from the 1.5-V level of the CLK input falling edge to the 10%/90% level of the digital output. The digital output load is not higher than 10 pF.

Output hold time  $t_{h(O)}$  is measured from the 1.5-V level of the CLK input falling edge to the 10%/90% level of the digital output. The digital output load is not less than 2 pF.

Aperture delay  $t_{d(A)}$  is measured from the 1.5-V level of the CLK input to the actual sampling instant.

The OE signal is asynchronous.

OE timing  $t_{dis}$  is measured from the  $V_{IH(min)}$  level of OE to the high-impedance state of the output data. The digital output load is not higher than 10 pF.

OE timing  $t_{en}$  is measured from the  $V_{IL(max)}$  level of OE to the instant when the output data reaches  $V_{OH(min)}$  or  $V_{OL(max)}$  output levels. The digital output load is not higher than 10 pF.

# THS0842 DUAL-INPUT, 8-BIT, 40 MSPS LOW-POWER ANALOG-TO-DIGITAL CONVERTER WITH SINGLE OR DUAL PARALLEL BUS OUTPUT

SLAS246A – DECEMBER 1999 – REVISED AUGUST 2000

## PRINCIPLES OF OPERATION

### definitions of specifications and terminology (continued)

#### pipeline delay (latency)

The number of clock cycles between conversion initiation on an input sample and the corresponding output data being made available from the ADC pipeline. Once the data pipeline is full, new valid output data is provided on every clock cycle. In order to know when data is stable on the output pins, the output delay time  $t_{d(o)}$  (i.e., the delay time through the digital output buffers) needs to be added to the pipeline latency. Note that since the max  $t_{d(o)}$  is more than 1/2 clock period at 80 MHz, data cannot be reliably clocked in on a rising edge of CLK at this speed. The falling edge should be used.

The THS0842 implements a high-speed 40 MSPS converter in a cost effective CMOS process. Powered from 3.3 V, the single pipeline design architecture ensures low power operation and 8-bit accuracy. Signal inputs are differential and the clock signal is single ended. The digital inputs are 3.3 V TTL/CMOS compatible. Internal voltage references are included for both bottom and top voltages. Therefore, the converter forms a self-contained solution. Alternatively, the user may apply externally generated reference voltages. In doing so, both input offset and input range can be modified to suit the application.

The analog input signal is captured by a high speed sampling and hold. Multiple stages will generate the output code with a pipeline delay of 6.5 CLK cycles. Correction logic combines the multistage data and aligns the 8-bit output word. All digital logic operates at the rising edge of CLK.

#### analog input

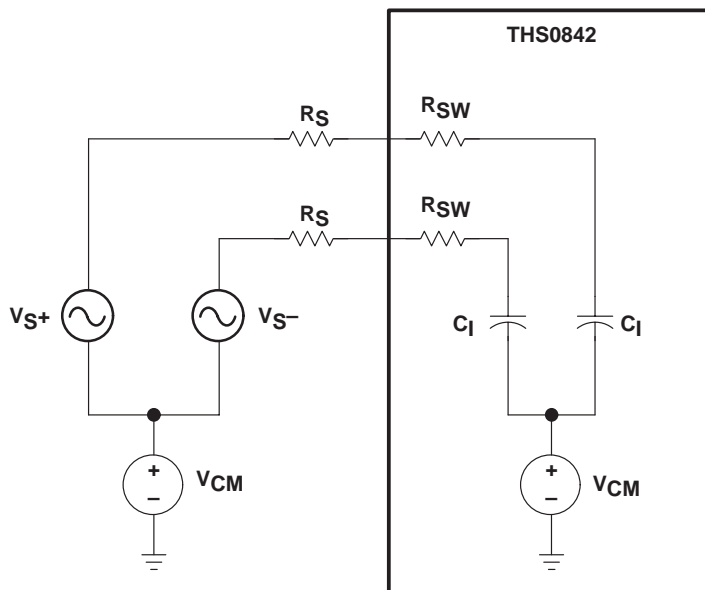


Figure 18. Simplified Equivalent Input Circuit

A first-order approximation for the equivalent analog input circuit of the THS0842 is shown in Figure 18. The equivalent input capacitance  $C_1$  is 5 pF typical. The input must charge/discharge this capacitance within the sample period of one half of a clock cycle. When a full-scale voltage step is applied, the input source provides the charging current through the switch resistance  $R_{SW}$  (200  $\Omega$ ) of S1 and quickly settles. In this case the input impedance is low. Alternatively, when the source voltage equals the value previously stored on  $C_1$ , the hold capacitor requires no input current and the equivalent input impedance is very high.

## PRINCIPLES OF OPERATION

### analog input (continued)

To maintain the frequency performance outlined in the specifications, the total source impedance should be limited to the following equation with  $f_{CLK} = 80$  MHz,  $C_I = 5$  pF,  $R_{SW} = 200 \Omega$ :

$$R_S < \left[ 1 \div \left( 2f_{CLK} \times C_I \times \ln(256) \right) - R_{SW} \right]$$

So, for applications running at a lower  $f_{CLK}$ , the total source resistance can increase proportionally.

The analog input of the THS0842 is a differential input that can be configured in various ways depending on the signal source and the required level of performance. A fully differential connection (Figure 20) will deliver the best performance from the converter. A dc voltage source, CML, equal to 1.5 V (typical for  $AV_{DD} = 3$  V), is made available to the user to help simplify circuit design when using an ac coupled differential input. This low output impedance voltage source (300  $\Omega$ , typical) is not designed to be a reference or to be loaded, but makes an excellent dc bias source and stays well within the analog input common mode voltage range over temperature. If load on that pin is foreseen, the use of an external buffer is recommended. Defining  $VREFD = VREFT - VREFB$ , each single-ended analog input is limited to be between  $VCML + VREFD/2$  and  $VCML - VREFD/2$ . See Table 1 for the minimum and maximum reference input levels.

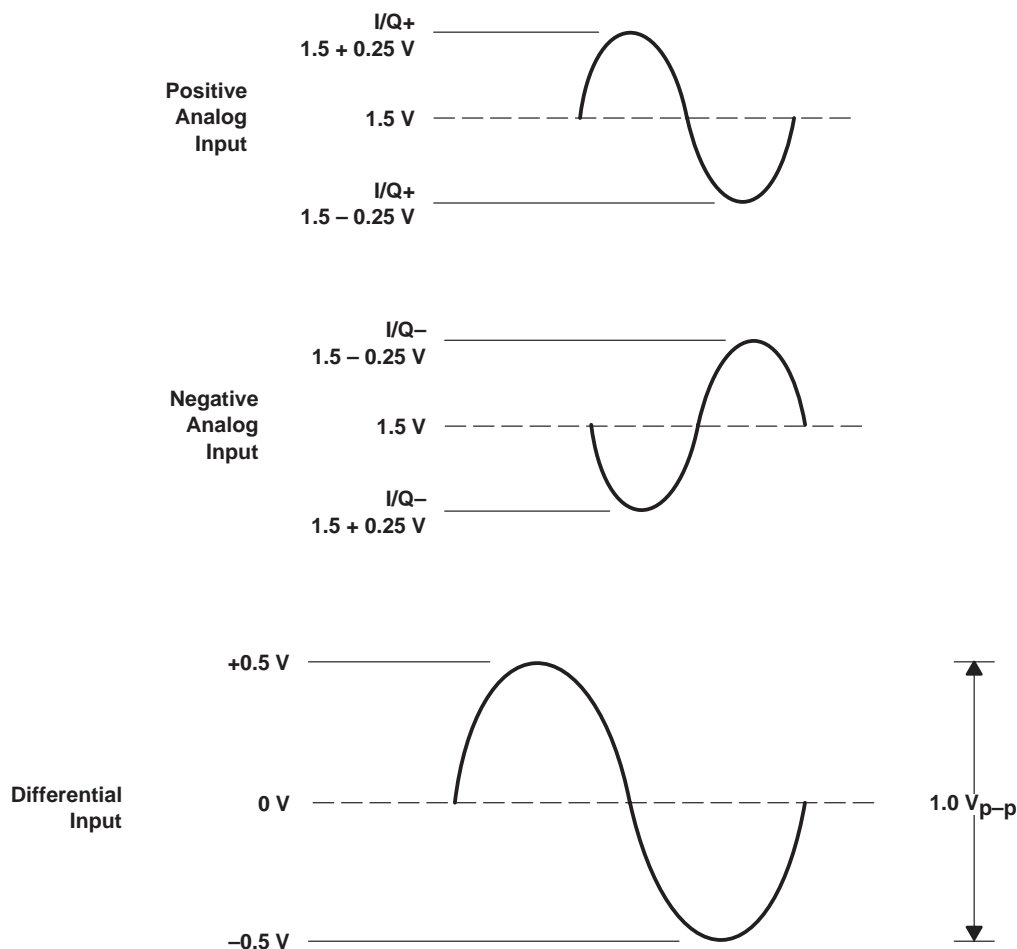
For the ac-coupled differential input with  $AV_{DD} = 3$  V (see Figure 23), full scale is achieved when the +I/Q and -I/Q input signals are 0.5 V<sub>PP</sub>, with -I/Q being 180 degrees out of phase with +I/Q. The converter will be at positive full scale when the +I/Q input is at  $CML + 0.25$  V and the -I/Q input is at  $CML - 0.25$  V (+I/Q + I/Q = 0.5 V). Conversely, the converter will be at negative full scale when the +I/Q input is equal to  $CML - 0.25$  V and -I/Q is at  $CML + 0.25$  V (I/Q+ + I/Q- = -0.5 V) (see Figure 19).

**THS0842**  
**DUAL-INPUT, 8-BIT, 40 MSPS LOW-POWER ANALOG-TO-DIGITAL CONVERTER**  
**WITH SINGLE OR DUAL PARALLEL BUS OUTPUT**

SLAS246A – DECEMBER 1999 – REVISED AUGUST 2000

**PRINCIPLES OF OPERATION**

**analog input (continued)**



**Figure 19. Differential Input Waveform With  $AV_{DD} = 3\text{ V}$**

The analog input can be dc coupled (see Figure 21) as long as the inputs are within the analog input common mode voltage range. For example (see Figure 21),  $V_+$  and  $V_-$  are signals centered on GND with a peak-to-peak voltage of 2 V, and the circuit in Figure 21 is used to interface it with the THS0842. Assume  $AV_{DD}$  of the converter is 3 V. Two problems have to be solved. The first is to shift CML from 0 V to 1.5 V ( $AV_{DD}/2$ ). To do that, a  $V_{bias}$  voltage and an adequate ratio of  $R_1$  and  $R_2$  have to be selected. For instance, if  $V_{bias} = AV_{DD} = 3\text{ V}$ , then  $R_1 = R_2$ . The second is that the differential voltage has to be reduced from 4 V ( $2 \times 2\text{ V}$ ) to 1 V, and for that an attenuation of 4 to 1 is needed. The attenuation is determined by the relation:  $(R_3 || 2R_2) / ((R_3 || 2R_2) + 2R_1)$ . One possible solution is  $R_1 = R_2 = R_3 = 150\ \Omega$ . In this case, moreover, the input impedance ( $2R_1 + (R_3 || 2R_2)$ ) will be 400  $\Omega$ . The values can be changed to match any other input impedance. A capacitor,  $C$ , connected from  $I/Q\ IN+$  to  $I/Q\ IN-$  will help filter any high frequency noise on the inputs, also improving performance. Note, that the chosen value of capacitor  $C$  must take into account the highest frequency component of the analog input signal.

THS0842  
**DUAL-INPUT, 8-BIT, 40 MSPS LOW-POWER ANALOG-TO-DIGITAL CONVERTER  
 WITH SINGLE OR DUAL PARALLEL BUS OUTPUT**

SLAS246A – DECEMBER 1999 – REVISED AUGUST 2000

**PRINCIPLES OF OPERATION**

ac coupled input

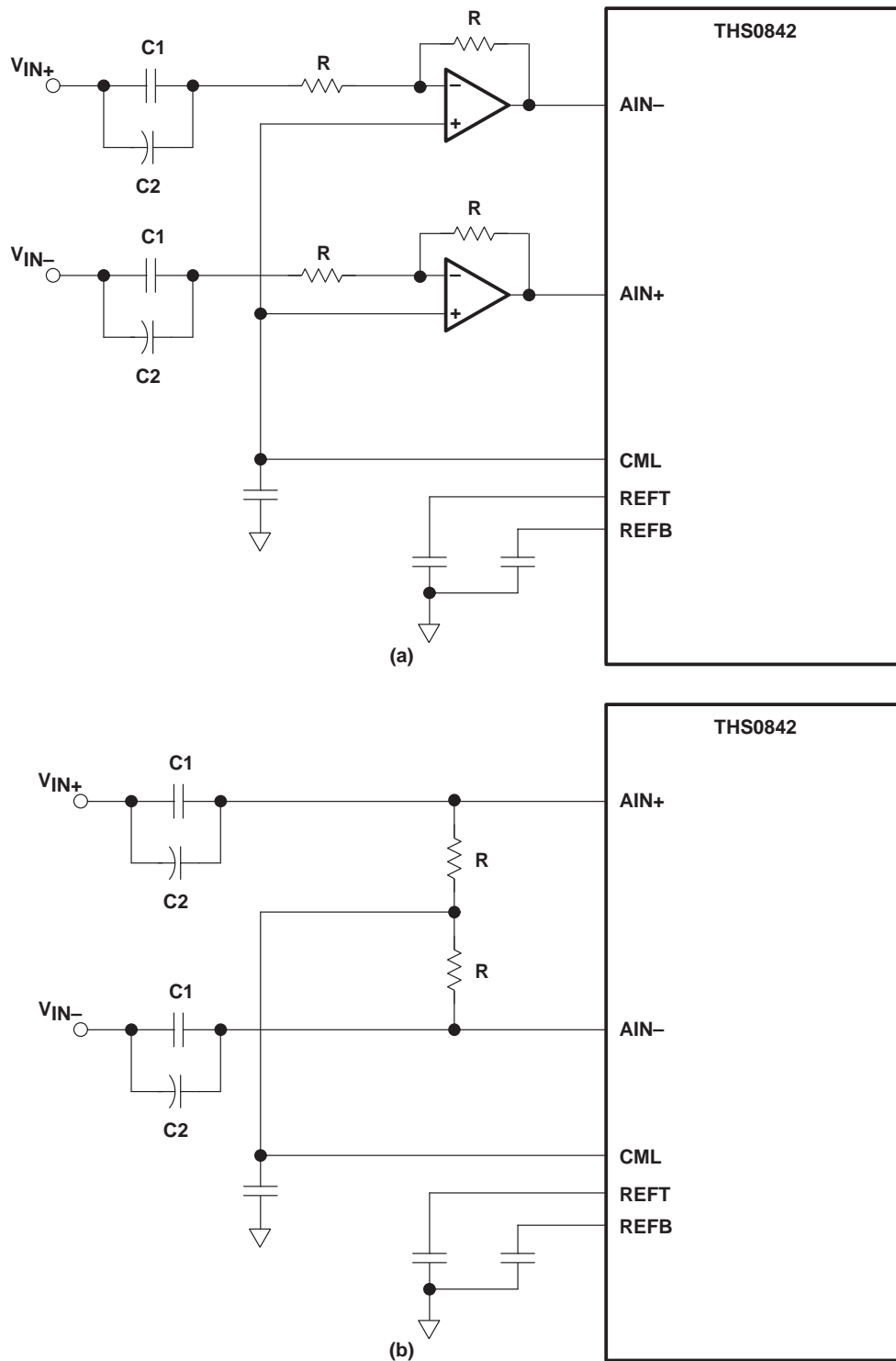


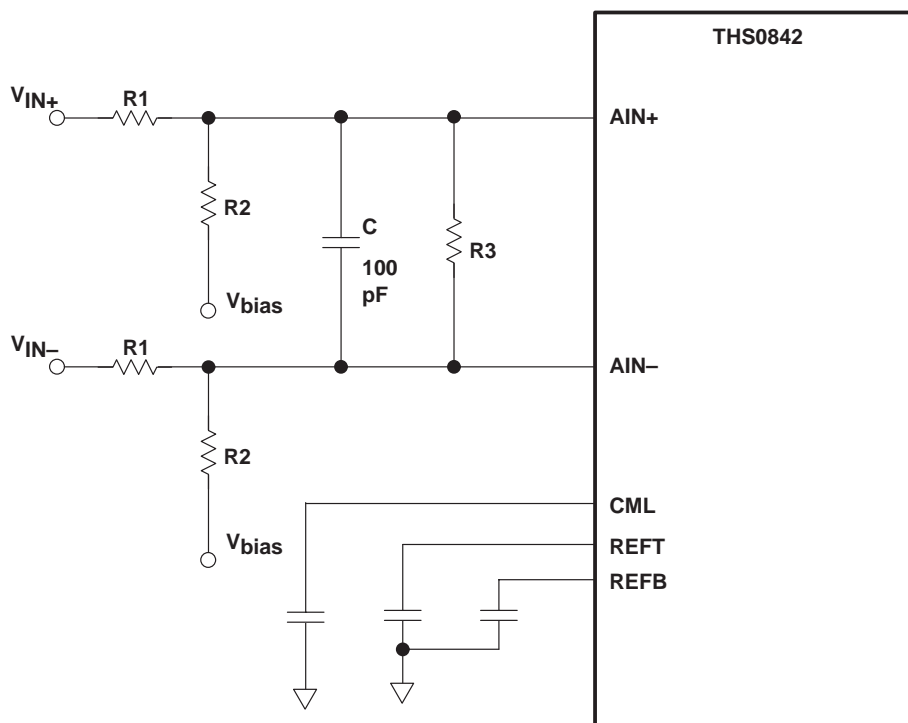
Figure 20. AC-Coupled Differential Input Circuits

**THS0842**  
**DUAL-INPUT, 8-BIT, 40 MSPS LOW-POWER ANALOG-TO-DIGITAL CONVERTER**  
**WITH SINGLE OR DUAL PARALLEL BUS OUTPUT**

SLAS246A – DECEMBER 1999 – REVISED AUGUST 2000

**PRINCIPLES OF OPERATION**

**ac coupled input (continued)**



**Figure 21. DC-Coupled Differential Input Circuit**

For many applications, ac coupling offers a convenient way for biasing the analog input signal at the proper signal range. Figure 20 shows a typical configuration. To maintain the outlined specifications, the component values need to be carefully selected. The most important issue is the positioning of the 3 dB high-pass corner point  $f_{-3\text{ dB}}$ , which is a function of  $R$  ( $R_S + R_{SW}$  as shown in Figure 18) and the parallel combination of  $C_1$  and  $C_2$ , called  $C_{eq}$ . This is given by the following equation:

$$f_{-3\text{ dB}} = \frac{1}{2\pi \times R \times C_{eq}}$$

Since  $C_1$  is typically a large electrolytic or tantalum capacitor, the impedance becomes inductive at higher frequencies. Adding a small ceramic or polystyrene capacitor,  $C_2$  of approximately  $0.01\ \mu\text{F}$ , which is not inductive within the frequency range of interest, maintains low impedance.

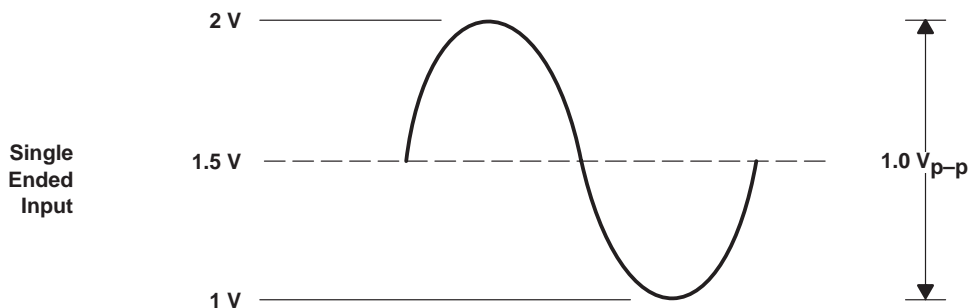
**analog input, single-ended connection**

The configuration shown in Figure 23 may be used with a single-ended ac coupled input. If  $I/Q$  is a  $1\ V_{pp}$  sinewave, then  $I/Q\ IN+$  is a  $1\ V_{pp}$  sinewave riding on a positive voltage equal to CML (see Figure 22). The converter will be at positive full scale when  $I/Q\ IN+$  is at  $\text{CML} + 0.5\text{V}$  ( $I/Q\ IN+ - I/Q\ IN- = 0.5\text{ V}$ ) and will be at negative full scale when  $I/Q\ IN+$  is equal to  $\text{CML} - 0.5\text{ V}$  ( $I/Q\ IN+ - I/Q\ IN- = -0.5\text{ V}$ ). Sufficient headroom must be provided such that the input voltage never goes above 3.3 V or below AGND. The simplest way is to use the dc bias source output (CML) of the THS0842.

**PRINCIPLES OF OPERATION**

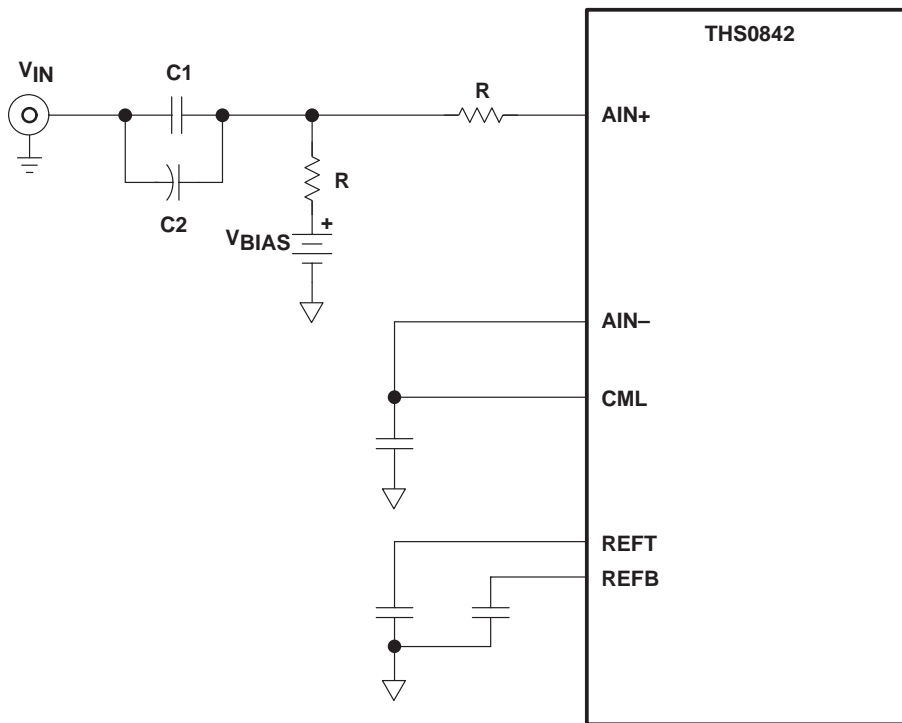
**analog input, single-ended connection (continued)**

The single ended analog input can be dc coupled (Figure 24) as long as the input is within the analog input common mode voltage range. A capacitor, C, connected from I/Q IN+ to I/Q IN– will help filter any high frequency noise on the inputs, also improving performance. Note, that the value of capacitor C chosen must take into account the highest frequency component of the analog input signal.



**Figure 22. Single-Ended Input Waveform With  $AV_{DD} = 3\text{ V}$**

A single-ended source may give better overall system performance if it is first converted to differential before driving the THS0842.



**Figure 23. AC-Coupled Input**

# THS0842 DUAL-INPUT, 8-BIT, 40 MSPS LOW-POWER ANALOG-TO-DIGITAL CONVERTER WITH SINGLE OR DUAL PARALLEL BUS OUTPUT

SLAS246A – DECEMBER 1999 – REVISED AUGUST 2000

## PRINCIPLES OF OPERATION

### dc coupled input

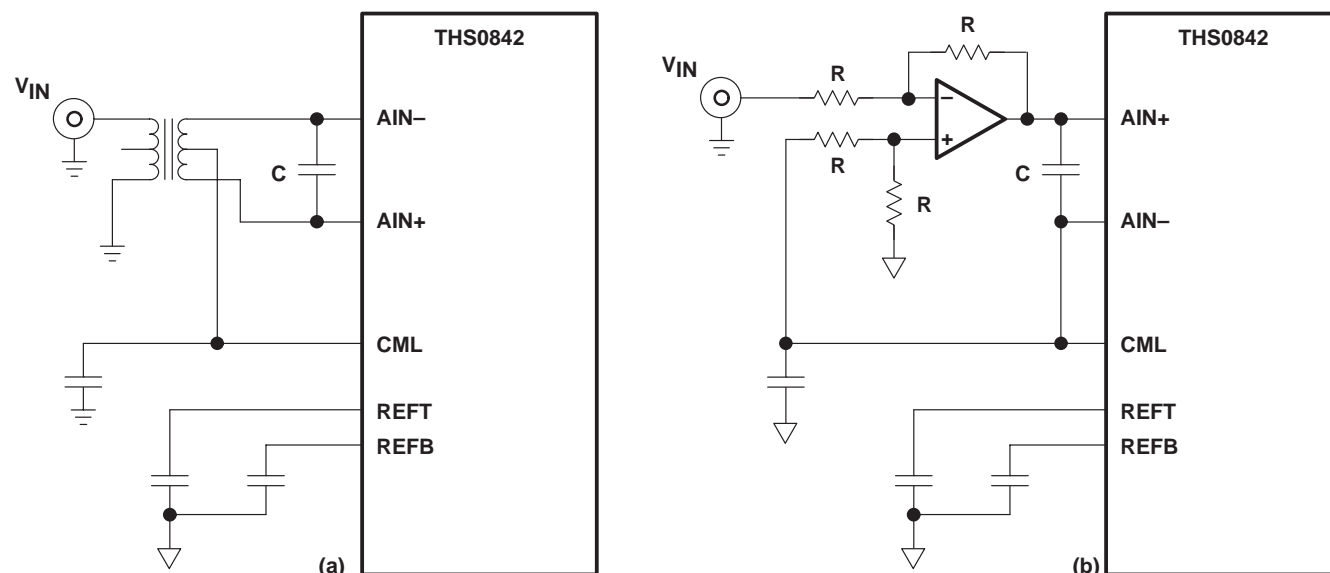


Figure 24. DC-Coupled Input Circuits

For dc-coupled systems, an op-amp can level shift a ground referenced input signal. A circuit like Figure 24(b) could be used. In this case, the AIN voltage is given by:  $AIN = -V_{IN} + V_{CML}$

### reference terminals

The THS0842 input voltage range is determined by the voltages on terminals REFBI and REFTI. Since the device has an internal voltage reference generator, it must be placed in power down before applying an external voltage to the REFT and REFB pins. Especially at higher sampling rates, it is advantageous to have a wider analog input range. This can be achievable by using external voltage references (e.g., at  $AV_{DD} = 3.3\text{ V}$ , the full scale range can be extended from  $1\text{ V}_{pp}$  (internal reference) to  $1.3\text{ V}_{pp}$  (external reference) as shown in Table 1). These voltages should not be derived via a voltage divider from a power supply source. Instead, use a bandgap-derived voltage reference to derive both references via an op-amp circuit. Refer to the schematic of the THS0842 evaluation module in this datasheet for an example circuit.

When using external references, the full-scale ADC input range and its dc position can be adjusted. The full-scale ADC range is always equal to  $V_{REFT} - V_{REFB}$ . The maximum full-scale range is dependent on  $AV_{DD}$  as shown in the specification section. Next to the constraint on their difference, there are limitations on the useful range of  $V_{REFT}$  and  $V_{REFB}$  individually as well, dependent also on  $AV_{DD}$ .

Table 1 summarizes these limits for 3 cases.

Table 1. Min/Max Reference Input Levels

$AV_{DD}$	$V_{REFB}(\text{min})$	$V_{REFB}(\text{max})$	$V_{REFT}(\text{min})$	$V_{REFT}(\text{max})$	$[V_{REFT}-V_{REFB}]_{\text{max}}$
3 V	0.8 V	1.2 V	1.8 V	2.2 V	1 V
3.3 V	0.8 V	1.2 V	2.1 V	2.5 V	1.3 V
3.6 V	0.8 V	1.2 V	2.4 V	2.8 V	1.6 V

---

## PRINCIPLES OF OPERATION

### digital inputs

The digital inputs are CLK, STDBY, PWDN\_REF, and  $\overline{OE}$ . All these signals, except CLK, have an internal pulldown resistor to connect to digital ground. This provides a default active operation mode using internal references when left unconnected.

The CLK signal at high frequencies should be considered as an analog input. Overshoot/undershoot should be minimized by proper termination of the signal close to the THS0842. An important cause of performance degradation for a high-speed ADC is clock jitter. Clock jitter causes uncertainty in the sampling instant of the ADC, in addition to the inherent uncertainty on the sampling instant caused by the part itself, as specified by its aperture jitter. There is a theoretical relationship between the frequency (f) and resolution ( $2^N$ ) of a signal that needs to be sampled and the maximum amount of aperture error  $dt_{\max}$  that is tolerable. The following formula shows the relation:

$$dt_{\max} = 1 \div \left[ \pi f 2^{(N+1)} \right]$$

As an example, for an 8-bit converter with a 15-MHz input, the jitter needs to be kept <41 pS in order not to have changes in the LSB of the ADC output due to the total aperture error.

### digital outputs

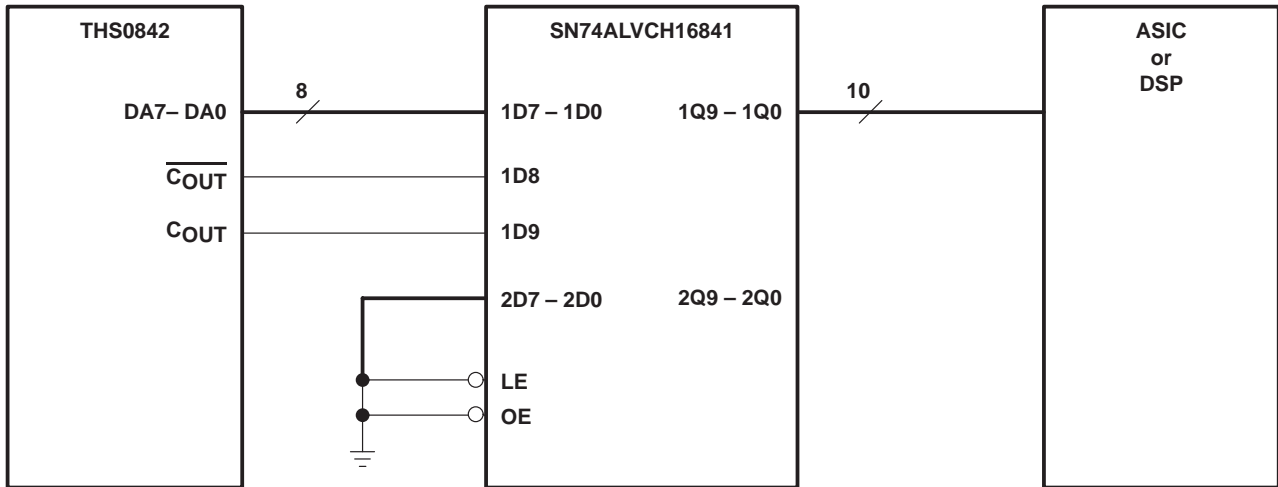
The output of THS0842 is straight binary code. Capacitive loading on the output should be kept as low as possible (a maximum loading of 10 pF is recommended) to provide best performance. Higher output loading causes higher dynamic output currents and can increase noise coupling into the device analog front end. To drive higher loads, use an output buffer is recommended. See Figure 25 through Figure 28 for examples.

When clocking output data from the THS0842, it is important to observe its timing relation to COUT. See Note 6 in the specification section for more details.

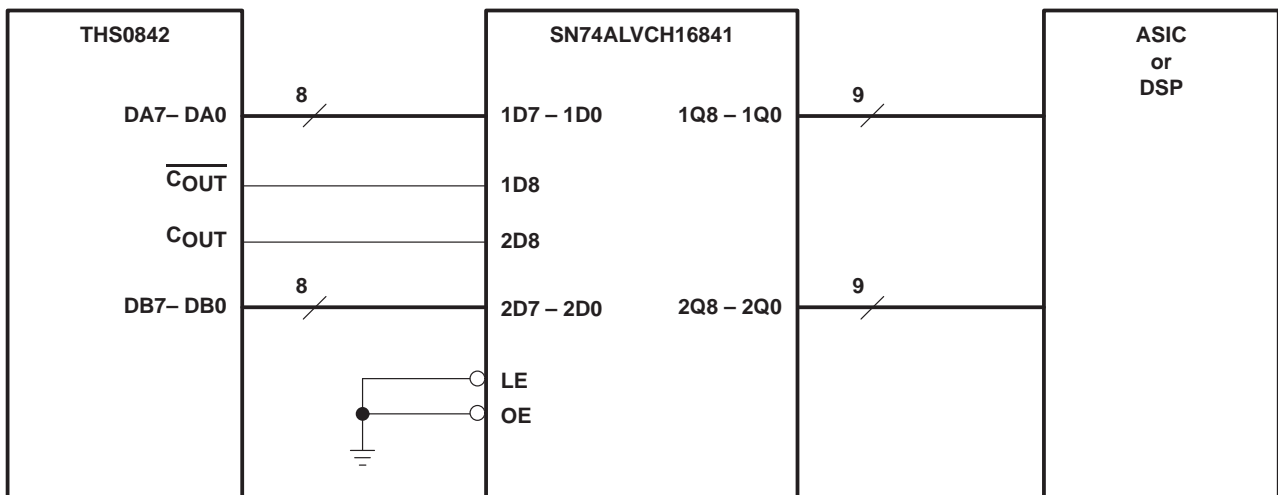
**THS0842**  
**DUAL-INPUT, 8-BIT, 40 MSPS LOW-POWER ANALOG-TO-DIGITAL CONVERTER**  
**WITH SINGLE OR DUAL PARALLEL BUS OUTPUT**

SLAS246A – DECEMBER 1999 – REVISED AUGUST 2000

**PRINCIPLES OF OPERATION**



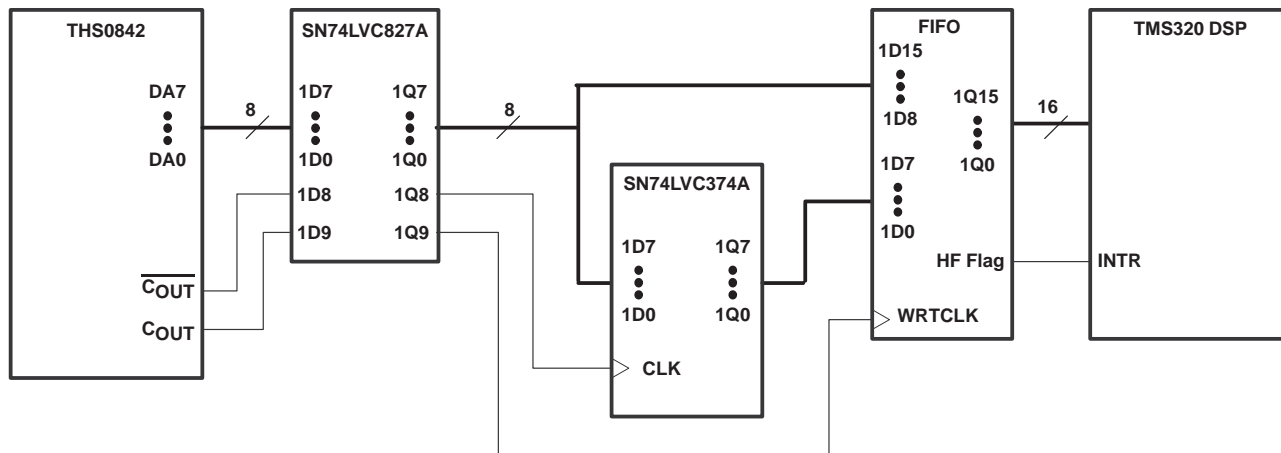
**Figure 25. Single Bus Connection Example**



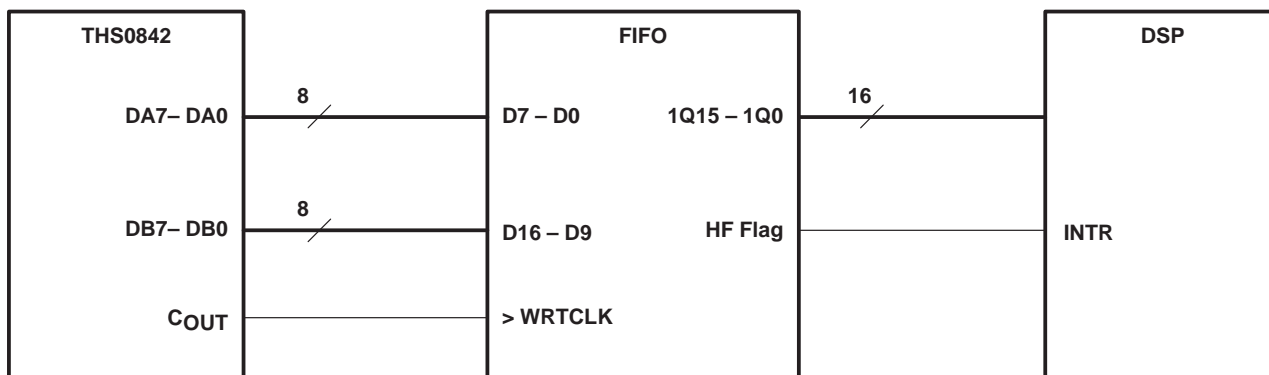
**Figure 26. Dual Bus Connection Example**

NOTE: The SN74ALVCH16841 latches are used to buffer the THS8042 and C<sub>OUT</sub> pins.

**PRINCIPLES OF OPERATION**



**Figure 27. Single Bus FIFO Connection to DSP Example**



**Figure 28. Dual Bus FIFO Connection to DSP Example**

**layout, decoupling and grounding rules**

Proper grounding and layout of the PCB on which the THS0842 is populated are essential to achieve the stated performance. It is advisable to use separate analog and digital ground planes that are spliced underneath the device. The THS0842 has digital and analog terminals on opposite sides of the package to make this easier. Since there is no internal connection between analog and digital grounds, they have to be joined on the PCB. It is advisable to do this at one point in close proximity to the THS0842.

As for power supplies, separate analog and digital supply terminals are provided on the device ( $AV_{DD}/DV_{DD}$ ). The supply to the digital output drivers is kept separate also ( $DRV_{DD}$ ). Lowering the voltage on this supply to 3 V instead of the nominal 3.3 V improves performance because of the lower switching noise caused by the output buffers.

Because of the high sampling rate and switched-capacitor architecture, THS0842 generates transients on the supply and reference lines. Proper decoupling of these lines is essential. Decoupling as shown in the schematic of the THS0842 EVM is recommended.

THS0842

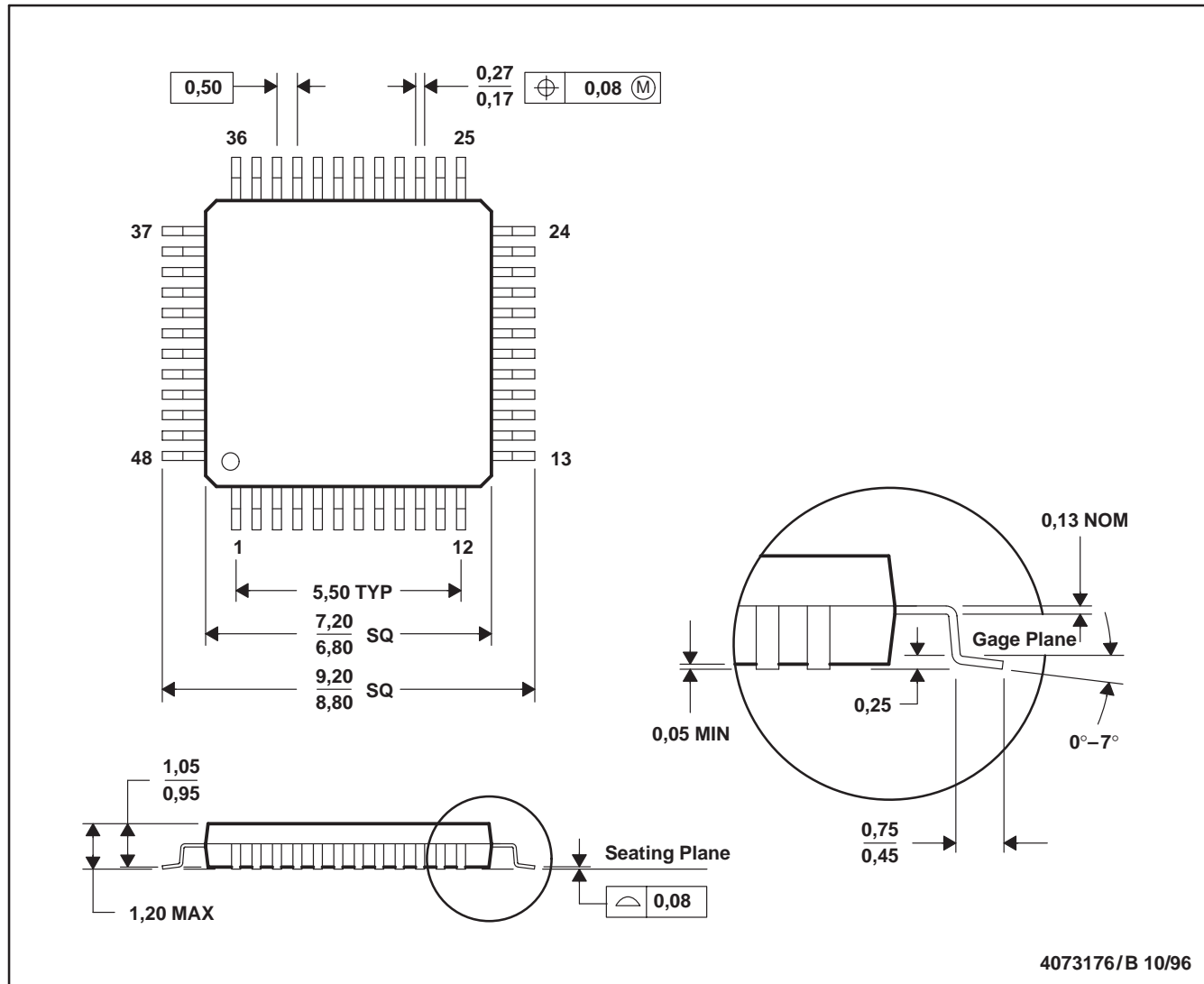
# DUAL-INPUT, 8-BIT, 40 MSPS LOW-POWER ANALOG-TO-DIGITAL CONVERTER WITH SINGLE OR DUAL PARALLEL BUS OUTPUT

SLAS246A – DECEMBER 1999 – REVISED AUGUST 2000

## MECHANICAL DATA

PFB (S-PQFP-G48)

PLASTIC QUAD FLATPACK



- NOTES: A. All linear dimensions are in millimeters.  
B. This drawing is subject to change without notice.  
C. Falls within JEDEC MS-026

**PACKAGING INFORMATION**

Orderable Device	Status <sup>(1)</sup>	Package Type	Package Drawing	Pins	Package Qty	Eco Plan <sup>(2)</sup>	Lead/Ball Finish	MSL Peak Temp <sup>(3)</sup>
THS0842IPFB	ACTIVE	TQFP	PFB	48	250	Green (RoHS & no Sb/Br)	CU NIPDAU	Level-2-260C-1 YEAR
THS0842IPFBG4	ACTIVE	TQFP	PFB	48	250	Green (RoHS & no Sb/Br)	CU NIPDAU	Level-2-260C-1 YEAR

<sup>(1)</sup> The marketing status values are defined as follows:

**ACTIVE:** Product device recommended for new designs.

**LIFEBUY:** TI has announced that the device will be discontinued, and a lifetime-buy period is in effect.

**NRND:** Not recommended for new designs. Device is in production to support existing customers, but TI does not recommend using this part in a new design.

**PREVIEW:** Device has been announced but is not in production. Samples may or may not be available.

**OBSOLETE:** TI has discontinued the production of the device.

<sup>(2)</sup> Eco Plan - The planned eco-friendly classification: Pb-Free (RoHS) or Green (RoHS & no Sb/Br) - please check <http://www.ti.com/productcontent> for the latest availability information and additional product content details.

**TBD:** The Pb-Free/Green conversion plan has not been defined.

**Pb-Free (RoHS):** TI's terms "Lead-Free" or "Pb-Free" mean semiconductor products that are compatible with the current RoHS requirements for all 6 substances, including the requirement that lead not exceed 0.1% by weight in homogeneous materials. Where designed to be soldered at high temperatures, TI Pb-Free products are suitable for use in specified lead-free processes.

**Green (RoHS & no Sb/Br):** TI defines "Green" to mean Pb-Free (RoHS compatible), and free of Bromine (Br) and Antimony (Sb) based flame retardants (Br or Sb do not exceed 0.1% by weight in homogeneous material)

<sup>(3)</sup> MSL, Peak Temp. -- The Moisture Sensitivity Level rating according to the JEDEC industry standard classifications, and peak solder temperature.

**Important Information and Disclaimer:**The information provided on this page represents TI's knowledge and belief as of the date that it is provided. TI bases its knowledge and belief on information provided by third parties, and makes no representation or warranty as to the accuracy of such information. Efforts are underway to better integrate information from third parties. TI has taken and continues to take reasonable steps to provide representative and accurate information but may not have conducted destructive testing or chemical analysis on incoming materials and chemicals. TI and TI suppliers consider certain information to be proprietary, and thus CAS numbers and other limited information may not be available for release.

In no event shall TI's liability arising out of such information exceed the total purchase price of the TI part(s) at issue in this document sold by TI to Customer on an annual basis.

## IMPORTANT NOTICE

Texas Instruments Incorporated and its subsidiaries (TI) reserve the right to make corrections, modifications, enhancements, improvements, and other changes to its products and services at any time and to discontinue any product or service without notice. Customers should obtain the latest relevant information before placing orders and should verify that such information is current and complete. All products are sold subject to TI's terms and conditions of sale supplied at the time of order acknowledgment.

TI warrants performance of its hardware products to the specifications applicable at the time of sale in accordance with TI's standard warranty. Testing and other quality control techniques are used to the extent TI deems necessary to support this warranty. Except where mandated by government requirements, testing of all parameters of each product is not necessarily performed.

TI assumes no liability for applications assistance or customer product design. Customers are responsible for their products and applications using TI components. To minimize the risks associated with customer products and applications, customers should provide adequate design and operating safeguards.

TI does not warrant or represent that any license, either express or implied, is granted under any TI patent right, copyright, mask work right, or other TI intellectual property right relating to any combination, machine, or process in which TI products or services are used. Information published by TI regarding third-party products or services does not constitute a license from TI to use such products or services or a warranty or endorsement thereof. Use of such information may require a license from a third party under the patents or other intellectual property of the third party, or a license from TI under the patents or other intellectual property of TI.

Reproduction of information in TI data books or data sheets is permissible only if reproduction is without alteration and is accompanied by all associated warranties, conditions, limitations, and notices. Reproduction of this information with alteration is an unfair and deceptive business practice. TI is not responsible or liable for such altered documentation.

Resale of TI products or services with statements different from or beyond the parameters stated by TI for that product or service voids all express and any implied warranties for the associated TI product or service and is an unfair and deceptive business practice. TI is not responsible or liable for any such statements.

Following are URLs where you can obtain information on other Texas Instruments products and application solutions:

<b>Products</b>		<b>Applications</b>	
Amplifiers	<a href="http://amplifier.ti.com">amplifier.ti.com</a>	Audio	<a href="http://www.ti.com/audio">www.ti.com/audio</a>
Data Converters	<a href="http://dataconverter.ti.com">dataconverter.ti.com</a>	Automotive	<a href="http://www.ti.com/automotive">www.ti.com/automotive</a>
DSP	<a href="http://dsp.ti.com">dsp.ti.com</a>	Broadband	<a href="http://www.ti.com/broadband">www.ti.com/broadband</a>
Interface	<a href="http://interface.ti.com">interface.ti.com</a>	Digital Control	<a href="http://www.ti.com/digitalcontrol">www.ti.com/digitalcontrol</a>
Logic	<a href="http://logic.ti.com">logic.ti.com</a>	Military	<a href="http://www.ti.com/military">www.ti.com/military</a>
Power Mgmt	<a href="http://power.ti.com">power.ti.com</a>	Optical Networking	<a href="http://www.ti.com/opticalnetwork">www.ti.com/opticalnetwork</a>
Microcontrollers	<a href="http://microcontroller.ti.com">microcontroller.ti.com</a>	Security	<a href="http://www.ti.com/security">www.ti.com/security</a>
		Telephony	<a href="http://www.ti.com/telephony">www.ti.com/telephony</a>
		Video & Imaging	<a href="http://www.ti.com/video">www.ti.com/video</a>
		Wireless	<a href="http://www.ti.com/wireless">www.ti.com/wireless</a>

Mailing Address: Texas Instruments  
Post Office Box 655303 Dallas, Texas 75265

# Mouser Electronics

Authorized Distributor

Click to View Pricing, Inventory, Delivery & Lifecycle Information:

[Texas Instruments:](#)

[THS0842IPFB](#) [THS0842IPFBG4](#)