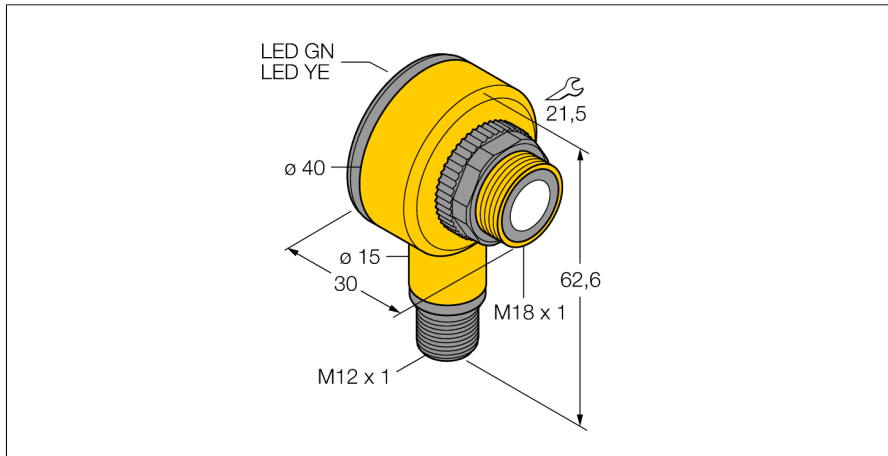
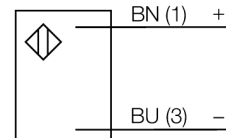


**Ultrasonic sensor
emitter
T186UEQ**



- **Blind zone: 0 cm**
- **Range: 60 cm**
- **Compact design**
- **Connection via male M12 x 1**

Wiring Diagram



Functional principle

Ultrasonic sensors detect a multitude of objects contactless and wear-free with ultrasonic waves. Regardless of whether the object is transparent or opaque, metallic or non-metallic, liquid, solid or powdery. Even environmental conditions such as spray, dust or rain hardly affect their function.

Type designation	T186UEQ
Ident no.	3038509
Range	0...600 mm
Ultrasound frequency	230 kHz
Operating voltage	12...30 VDC
Residual ripple	10 % U _{ss}
DC rated operational current	≤ 50 mA
Response time typical	1 ms
Readiness delay	100 ms
Reverse polarity protection	yes
Design	Rectangular with thread, T18U
Radiation direction	straight
Dimensions	30 x Ø 40 mm
Housing material	Plastic, PBT
Transducer material	Plastic, Epoxyd resin and PU foam
Electrical connection	Connectors, M12 x 1
Protection class	IP67
Ambient temperature	-40...+70 °C
Approvals	CE
Power-on indication	LED, Green

**Ultrasonic sensor
emitter
T186UEQ**

Accessories

Type code	Ident no.	Description	
SMB18A	3033200	Mounting bracket, rectangular, stainless steel, for sensors with 18 mm thread	
SMB18AFAM10	3012558	Mounting bracket, material VA 1.4401, for M10 x 1.5 thread, thread length 18 mm	
SMB1815SF	3053279	Mounting bracket, PBT black, for PICO-GUARD points	