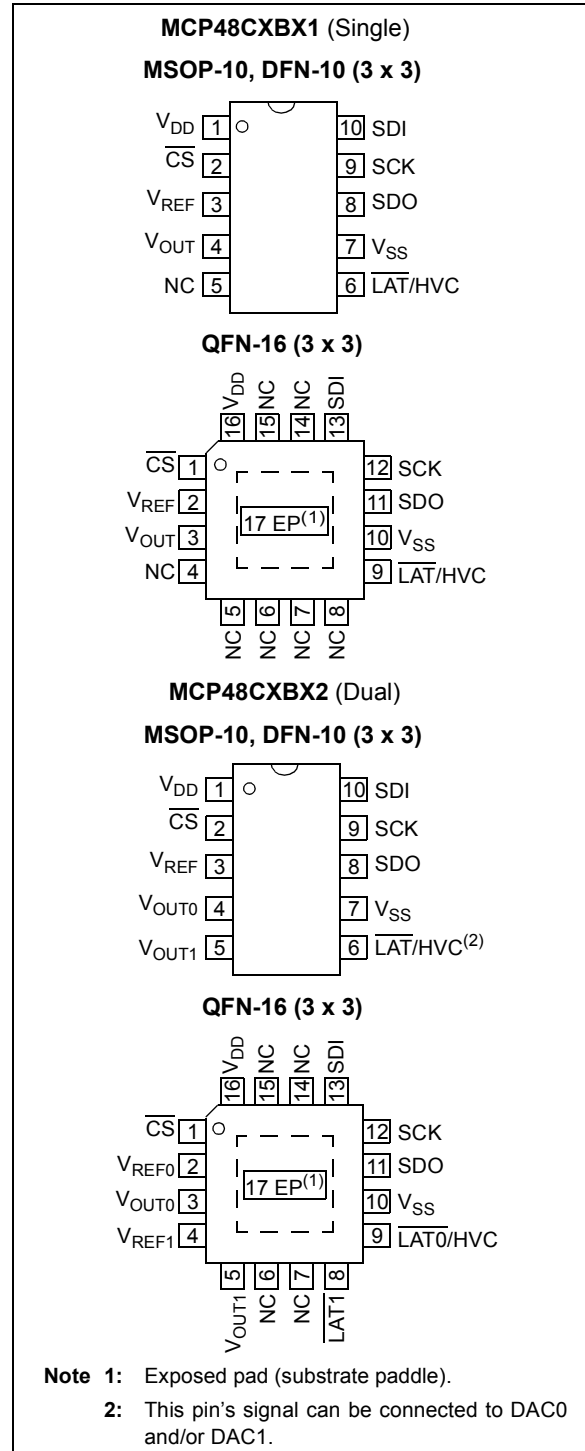


8/10/12-Bit Digital-to-Analog Converters, 1 LSb INL Single/Dual Voltage Outputs with SPI Interface

Features

- Memory Options:
 - Volatile Memory: MCP48CVBXX
 - Nonvolatile Memory: MCP48CMBXX
- Operating Voltage Range:
 - 2.7V to 5.5V – Full specifications
 - 1.8V to 2.7V – Reduced device specifications
- Output Voltage Resolutions:
 - 8-Bit: MCP48CXB0X (256 steps)
 - 10-Bit: MCP48CXB1X (1024 steps)
 - 12-Bit: MCP48CXB2X (4096 steps)
- Nonvolatile Memory (MTP) Size: 32 Locations
- 1 LSb Integral Nonlinearity (INL) Specification
- DAC Voltage Reference Source Options:
 - Device V_{DD}
 - External V_{REF} pin (buffered or unbuffered)
 - Internal band gap (1.214V typical)
- Output Gain Options:
 - 1x (Unity)
 - 2x (available when not using internal V_{DD} as voltage source)
- Power-on/Brown-out Reset (POR/BOR) Protection
- Power-Down Modes:
 - Disconnects output buffer (High-Impedance)
 - Selection of V_{OUT} pull-down resistors (100 k Ω or 1 k Ω)
- SPI Interface:
 - Supports '00' and '11' modes
 - 50 MHz write speed
 - 25 MHz read speed
- Package Types:
 - Dual: 16-lead 3 x 3 QFN, 10-lead MSOP, 10-lead 3 x 3 DFN
 - Single: 16-lead 3 x 3 QFN, 10-lead MSOP, 10-lead 3 x 3 DFN
- Extended Temperature Range: -40°C to +125°C

Package Types



MCP48CXBXX

General Description

The MCP48CXBXX are single and dual-channel 8-bit, 10-bit, and 12-bit buffered voltage output Digital-to-Analog Converters (DAC), with volatile or MTP memory and an SPI serial interface.

The MTP memory can be written by the user up to 32 times, for each specific register. It requires a high-voltage level on the HVC pin, typically 7.5V, in order to successfully program the desired memory location. The nonvolatile memory includes power-up output values, device configuration registers and general purpose memory.

The V_{REF} pin, the device V_{DD} or the internal band gap voltage can be selected as the DAC's reference voltage. When V_{DD} is selected, V_{DD} is internally connected to the DAC reference circuit.

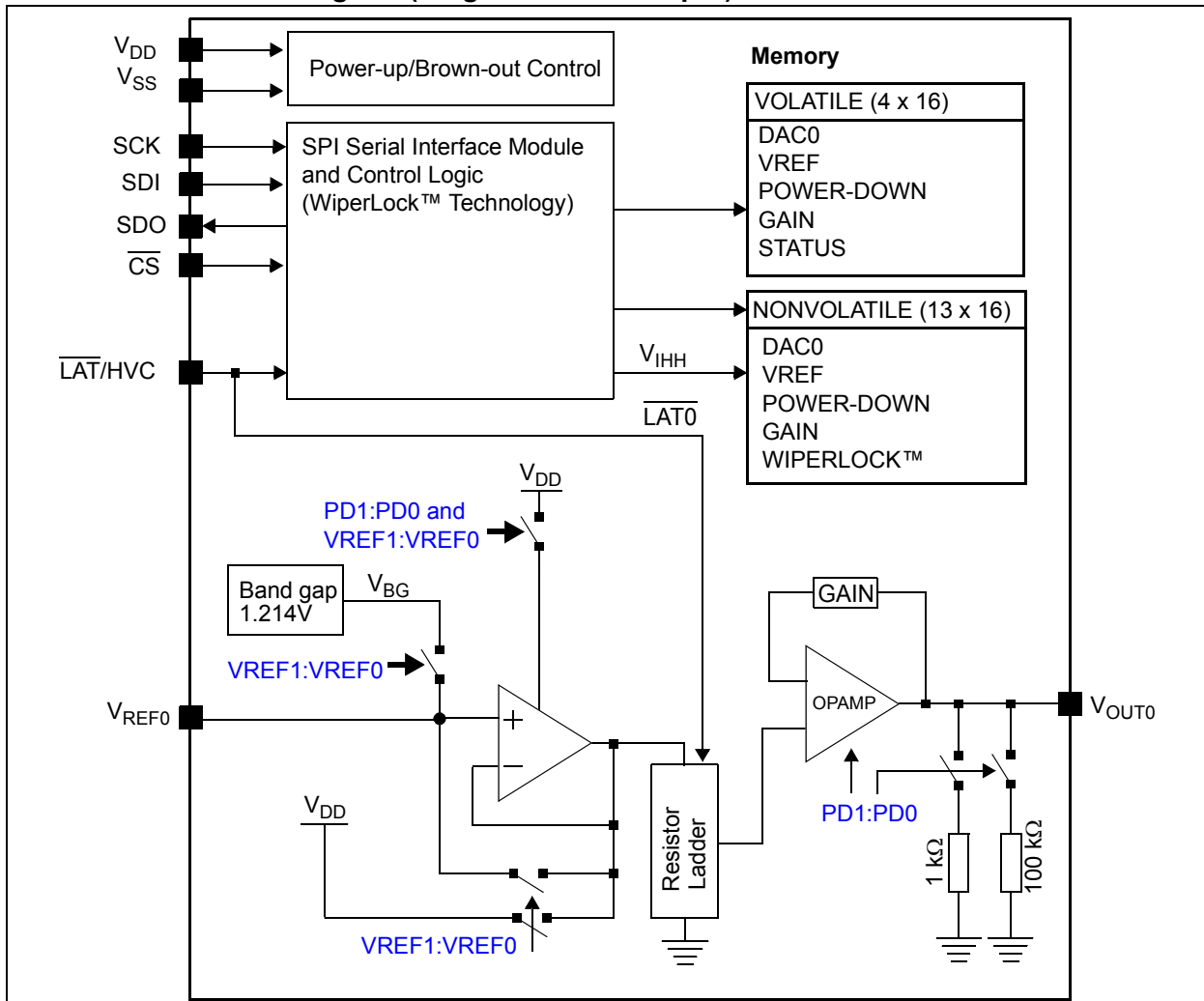
When the V_{REF} pin is used with an external voltage reference, the user can select between a gain of 1 or 2 and can have the reference buffer enabled or disabled. When the gain is 2, the V_{REF} pin voltage should be limited to a maximum of $V_{DD}/2$.

These devices have a four-wire SPI-compatible serial interface with speeds up to 50 MHz for write and 25 MHz for read operations.

Applications

- Set Point or Offset Trimming
- Sensor Calibration
- Low-Power Portable Instrumentation
- PC Peripherals
- Data Acquisition Systems

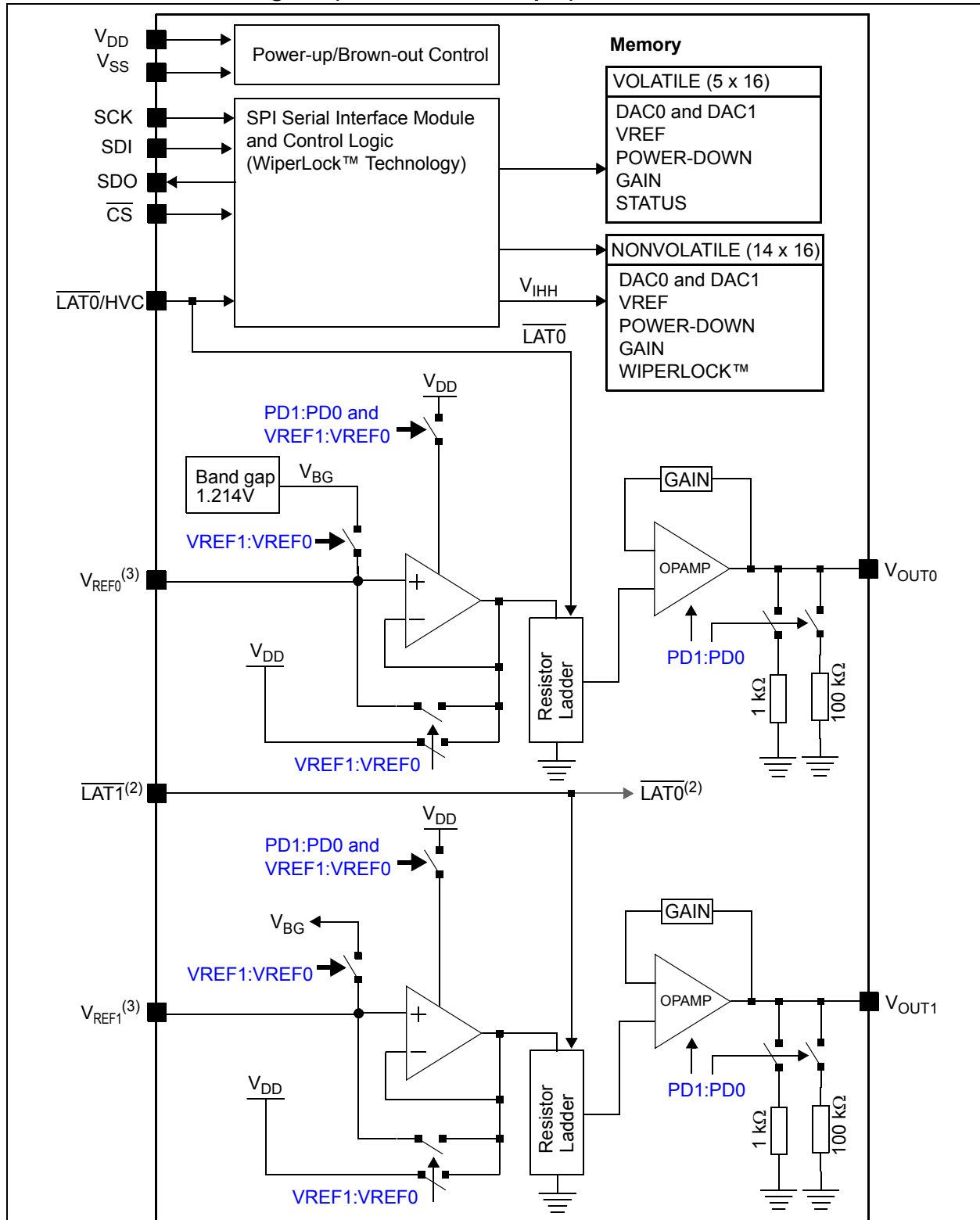
MCP48CVBX1 Block Diagram (Single-Channel Output)



Note 1: Available only on specific packages.

MCP48CXBXX

MCP48CVBX2 Block Diagram (Dual-Channel Output)



Note 1: Available only on specific packages.

2: On dual output devices, except those in a QFN16 package, the $\overline{\text{LAT0}}$ pin is internally connected to $\overline{\text{LAT1}}$ input of DAC1.

3: On dual output devices, except those in a QFN16 package, the V_{REF0} pin is internally connected to V_{REF1} input of DAC1.

MCP48CXBXX

Family Device Features

Device	Package Type	# of Channels	Resolution (bits)	DAC Output POR/BOR Setting ⁽¹⁾	# of V _{REF} Inputs	# of $\overline{\text{LAT}}$ Inputs ⁽³⁾	Memory ⁽²⁾	GP MTP Locations
MCP48CVB01	MSOP, QFN, DFN	1	8	7Fh	1	1	RAM	—
MCP48CVB11	MSOP, QFN, DFN	1	10	1FFh	1	1	RAM	—
MCP48CVB21	MSOP, QFN, DFN	1	12	7FFh	1	1	RAM	—
MCP48CVB02	QFN	2	8	7Fh	2	2	RAM	—
	MSOP, DFN	2	8	7Fh	1	1	RAM	—
MCP48CVB12	QFN	2	10	1FFh	2	2	RAM	—
	MSOP, DFN	2	10	1FFh	1	1	RAM	—
MCP48CVB22	QFN	2	12	7FFh	2	2	RAM	—
	MSOP, DFN	2	12	7FFh	1	1	RAM	—
MCP48CMB01	MSOP, QFN, DFN	1	8	7Fh	1	1	MTP	8
MCP48CMB11	MSOP, QFN, DFN	1	10	1FFh	1	1	MTP	8
MCP48CMB21	MSOP, QFN, DFN	1	12	7FFh	1	1	MTP	8
MCP48CMB02	QFN	2	8	7Fh	2	2	MTP	8
	MSOP, DFN	2	8	7Fh	1	1	MTP	8
MCP48CMB12	QFN	2	10	1FFh	2	2	MTP	8
	MSOP, DFN	2	10	1FFh	1	1	MTP	8
MCP48CMB22	QFN	2	12	7FFh	2	2	MTP	8
	MSOP, DFN	2	12	7FFh	1	1	MTP	8

Note 1: The factory default value.

2: Each nonvolatile memory location can be written 32 times. For subsequent writes to the MTP, the device will ignore the commands and the memory will not be modified.

3: If the product is a dual device and the package has only one $\overline{\text{LAT}}$ pin, it is associated with both DAC0 and DAC1.

1.0 ELECTRICAL CHARACTERISTICS

Absolute Maximum Ratings^(†)

Voltage on V _{DD} with respect to V _{SS}	-0.6V to +6.5V
Voltage on all pins with respect to V _{SS}	-0.6V to V _{DD} +0.3V
Input Clamp Current, I _{IK} (V _I < 0, V _I > V _{DD} , V _I > V _{PP} on HV pins)	±20 mA
Output Clamp Current, I _{OK} (V _O < 0 or V _O > V _{DD})	±20 mA
Maximum Current out of V _{SS} pin (Single)	50 mA
(Dual)	100 mA
Maximum Current into V _{DD} pin (Single)	50 mA
(Dual)	100 mA
Maximum Current sourced by the V _{OUT} pin	20 mA
Maximum Current sunk by the V _{OUT} pin	20 mA
Maximum Current source/sunk by the V _{REF(0)} pin (in Band Gap mode)	20 mA
Maximum Current sunk by the V _{REFx} pin (when V _{REF} is in Unbuffered mode)	175 µA
Maximum Current sourced by the V _{REFx} pin	20 µA
Maximum Current sunk by the V _{REF} pin	125 µA
Maximum Output Current sunk by SDO Output pin	25 mA
Maximum Output Current sourced by SDO Output pin	25 mA
Total Power Dissipation ⁽¹⁾	400 mW
ESD Protection on all pins	≥ ±6 kV (HBM)
.....	≥ ±400V (MM)
.....	≥ ±2 kV (CDM)
Latch-Up (per JEDEC JESD78A) at +125°C	±100 mA
Storage Temperature	-65°C to +150°C
Ambient Temperature with power applied	-55°C to +125°C
Soldering Temperature of leads (10 seconds)	+300°C
Maximum Junction Temperature (T _J)	+150°C

† **Notice:** Stresses above those listed under “Maximum Ratings” may cause permanent damage to the device. This is a stress rating only and functional operation of the device at those or any other conditions above those indicated in the operational listings of this specification is not implied. Exposure to maximum rating conditions for extended periods may affect device reliability.

Note 1: Power dissipation is calculated as follows:

$$P_{DIS} = V_{DD} \times \{I_{DD} - \sum I_{OH}\} + \sum \{(V_{DD} - V_{OH}) \times I_{OH}\} + \sum (V_{OL} \times I_{OL})$$

MCP48CXBXX

DC CHARACTERISTICS

Standard Operating Conditions (unless otherwise specified):Operating Temperature: $-40^{\circ}\text{C} \leq T_A \leq +125^{\circ}\text{C}$ (Extended)

All parameters apply across the specified operating ranges unless noted.

 $V_{DD} = +2.7\text{V}$ to 5.5V , $V_{REF} = +1.000\text{V}$ to V_{DD} , $V_{SS} = 0\text{V}$, $R_L = 2\text{ k}\Omega$ from V_{OUT} to GND, $C_L = 100\text{ pF}$.Typical specifications represent values for $V_{DD} = 5.5\text{V}$, $T_A = +25^{\circ}\text{C}$.

Parameters	Sym.	Min.	Typ.	Max.	Units	Conditions
Supply Voltage	V_{DD}	2.7	—	5.5	V	
		1.8	—	2.7	V	DAC operation (reduced analog specifications) and Serial Interface
V_{DD} Voltage (rising) to ensure device Power-on Reset	V_{POR}	—	—	1.75	V	RAM retention voltage (V_{RAM}) < V_{POR} V_{DD} voltages greater than the V_{POR} limit ensure that the device is out of reset.
V_{DD} Voltage (falling) to ensure device Brown-out Reset	V_{BOR}	V_{RAM}	—	1.61	V	RAM retention voltage (V_{RAM}) < V_{BOR}
V_{DD} Rise Rate to ensure Power-on Reset	V_{DDRR}	(Note 3)			V/ms	
Power-on Reset to Output-Driven Delay (Note 2)	T_{POR2OD}	—	—	130	μs	V_{DD} rising, $V_{DD} > V_{POR}$ Single Output
		—	—	145	μs	V_{DD} rising, $V_{DD} > V_{POR}$ Dual Output

Note 2 This parameter is ensured by characterization.**Note 3** POR/BOR voltage trip point is not slope dependent. Hysteresis implemented with time delay.

DC CHARACTERISTICS (CONTINUED)

Standard Operating Conditions (unless otherwise specified):									
Operating Temperature: $-40^{\circ}\text{C} \leq T_A \leq +125^{\circ}\text{C}$ (Extended)									
All parameters apply across the specified operating ranges unless noted.									
$V_{DD} = +2.7\text{V}$ to 5.5V , $V_{REF} = +1.000\text{V}$ to V_{DD} , $V_{SS} = 0\text{V}$,									
$R_L = 2\text{ k}\Omega$ from V_{OUT} to GND, $C_L = 100\text{ pF}$.									
Typical specifications represent values for $V_{DD} = 5.5\text{V}$, $T_A = +25^{\circ}\text{C}$.									
Parameters	Sym.	Min.	Typ.	Max.	Units	Conditions			
Supply Current	I_{DD}	—	—	250	μA	Single	1 MHz	Serial Interface Active $VRxB:VRxA = '10'$ ⁽⁴⁾ , V_{OUT} is unloaded, $V_{REF} = V_{DD} = 5.5\text{V}$ Volatile DAC register = Midscale	
		—	—	700			10 MHz ⁽²⁾		
		—	—	2300			50 MHz ⁽²⁾		
		—	—	350	μA	Dual	1 MHz		
		—	—	800			10 MHz ⁽²⁾		
		—	—	2400			50 MHz ⁽²⁾		
		—	—	160	μA	Single	Serial Interface Inactive $VRxB:VRxA = '10'$, $V_{REF} = V_{DD} = 5.5\text{V}$ $SCK = SDI = V_{SS}$, V_{OUT} is unloaded, Volatile DAC register = Midscale		
		—	—	280	μA	Dual			
LAT/HVC Pin Write Current ⁽²⁾	$I_{DD(MTP_WR)}$	—	—	6.40	mA	—	Serial Interface Inactive (MTP Write Active), $VRxB:VRxA = '10'$ (valid for all modes) $V_{DD} = 5.5\text{V}$, $\overline{LAT}/HVC = V_{IHH}$, Write all '1's to nonvolatile DAC0, V_{OUT} pins are unloaded.		
Power-Down Current	I_{DDP}	—	0.56	3.80	μA	—	$PDxB:PDxA = '01'$ ⁽⁵⁾ , $VRxB:VRxA = '10'$, V_{OUT} not connected		

Note 2 This parameter is ensured by characterization.

Note 4 Supply current is independent of current through the resistor ladder in mode $VRxB:VRxA = '10'$.

Note 5 The $PDxB:PDxA = '01'$, $'10'$, and $'11'$ configurations should have the same current.

MCP48CXBXX

DC CHARACTERISTICS (CONTINUED)

Standard Operating Conditions (unless otherwise specified):						
Operating Temperature: $-40^{\circ}\text{C} \leq T_A \leq +125^{\circ}\text{C}$ (Extended)						
All parameters apply across the specified operating ranges unless noted.						
$V_{DD} = +2.7\text{V}$ to 5.5V , $V_{REF} = +1.000\text{V}$ to V_{DD} , $V_{SS} = 0\text{V}$,						
$R_L = 2\text{ k}\Omega$ from V_{OUT} to GND, $C_L = 100\text{ pF}$.						
Typical specifications represent values for $V_{DD} = 5.5\text{V}$, $T_A = +25^{\circ}\text{C}$.						
Parameters	Sym.	Min.	Typ.	Max.	Units	Conditions
Resistor Ladder Resistance ⁽⁶⁾	R_L	63.9	71	78.1	$\text{k}\Omega$	$VRxB:VRxA = '10'$, $V_{REF} = V_{DD}$
Resolution (# of Resistors and # of Taps) (see B.1 “Resolution”)	N	256			Taps	8-bit No Missing Codes
		1024			Taps	10-bit No Missing Codes
		4096			Taps	12-bit No Missing Codes
Nominal V_{OUT} Match ⁽¹⁰⁾	$\frac{ V_{OUT} - V_{OUTMEAN} }{V_{OUTMEAN}}$	—	0.016	0.3	%	$1.8\text{V} \leq V_{DD} \leq 5.5\text{V}^{(2)}$
V_{OUT} Tempco ⁽²⁾ (see B.19 “V_{OUT} Temperature Coefficient”)	$\Delta V_{OUT}/\Delta T$	—	3	—	$\text{ppm}/^{\circ}\text{C}$	Code = Mid-scale (7Fh, 1FFh or 7FFh), $VRxB:VRxA =$ '00', '10', and '11'
V_{REF} Pin Input Voltage Range	V_{REF}	V_{SS}	—	V_{DD}	V	$1.8\text{V} \leq V_{DD} \leq 5.5\text{V}^{(1)}$

Note 1 This parameter is ensured by design.

Note 2 This parameter is ensured by characterization.

Note 6 Resistance is defined as the resistance between the V_{REF} pin (mode $VRxB:VRxA = '10'$) to V_{SS} pin. For dual-channel devices (MCP48CXB2), this is the effective resistance of each resistor ladder. The resistance measurement is one of the two resistor ladders measured in parallel.

Note 10 Variation of one output voltage to mean output voltage for dual devices only.

DC CHARACTERISTICS (CONTINUED)

Standard Operating Conditions (unless otherwise specified):								
Operating Temperature: $-40^{\circ}\text{C} \leq T_A \leq +125^{\circ}\text{C}$ (Extended)								
All parameters apply across the specified operating ranges unless noted.								
$V_{DD} = +2.7\text{V}$ to 5.5V , $V_{REF} = +1.000\text{V}$ to V_{DD} , $V_{SS} = 0\text{V}$,								
$R_L = 2\text{ k}\Omega$ from V_{OUT} to GND, $C_L = 100\text{ pF}$.								
Typical specifications represent values for $V_{DD} = 5.5\text{V}$, $T_A = +25^{\circ}\text{C}$.								
Parameters	Sym.	Min.	Typ.	Max.	Units	Conditions		
Zero-Scale Error (Code = 000h) (see B.5 "Zero-Scale Error (EzS)")	E_{ZS}	—	—	0.375	LSb	8-bit	$VRxB:VRxA = '10'$, $G = '0'$, $V_{REF} = V_{DD}$, No Load.	
		—	—	1.5	LSb	10-bit	$VRxB:VRxA = '10'$, $G = '0'$, $V_{REF} = V_{DD}$, No Load.	
		—	—	6	LSb	12-bit	$VRxB:VRxA = '10'$, $G = '0'$, $V_{REF} = V_{DD}$, No Load.	
		See Section 2.0 "Typical Performance Curves" ⁽²⁾		—	—	LSb		$VRxB:VRxA = '10'$, $G = '1'$, $V_{REF} = 0.5 \times V_{DD}$, No Load.
		See Section 2.0 "Typical Performance Curves" ⁽²⁾		—	—	LSb		$VRxB:VRxA = '01'$, $G = '0'$, $G = '1'$, $V_{DD} = 1.8\text{-}5.5\text{V}$, No Load.
Offset Error (see B.7 "Offset Error (EOS)")	E_{OS}	-6	± 0.7	+6	mV	$VRxB:VRxA = '10'$, $G_x = '0'$, No Load 8-bit: Code = 4; 10-bit: Code = 16; 12-bit: Code = 64		
Offset Voltage Temperature Coefficient ^(2, 9)	V_{OSTC}	—	± 5	—	$\mu\text{V}/^{\circ}\text{C}$			
Full-Scale Error (see B.4 "Full-Scale Error (EFS)")	E_{FS}	—	—	2.5	LSb	8-bit	$VRxB:VRxA = '10'$, $G = '0'$, $V_{REF} = V_{DD}$, No Load.	
		—	—	9	LSb	10-bit	$VRxB:VRxA = '10'$, $G = '0'$, $V_{REF} = V_{DD}$, No Load.	
		—	—	35	LSb	12-bit	$VRxB:VRxA = '10'$, $G = '0'$, $V_{REF} = V_{DD}$, No Load.	
		See Section 2.0 "Typical Performance Curves" ⁽²⁾		—	—	LSb		$VRxB:VRxA = '10'$, $G = '1'$, $V_{REF} = 0.5 \times V_{DD}$, No Load.
		See Section 2.0 "Typical Performance Curves" ⁽²⁾		—	—	LSb		$VRxB:VRxA = '01'$, $G = '0'$, $G = '1'$, $V_{DD} = 1.8\text{-}5.5\text{V}$, No Load.
Gain Error (see B.9 "Gain Error (EG)") ⁽⁷⁾	E_G	-1	± 0.1	+1	% of FSR	8-bit	$VRxB:VRxA = '10'$, $G = '0'$, Code = 252, $V_{REF} = V_{DD}$, No Load	
		-1	± 0.1	+1	% of FSR	10-bit	$VRxB:VRxA = '10'$, $G = '0'$, Code = 1008, $V_{REF} = V_{DD}$, No Load	
		-1	± 0.1	+1	% of FSR	12-bit	$VRxB:VRxA = '10'$, $G = '0'$, Code = 4032, $V_{REF} = V_{DD}$, No Load	
Gain-Error Drift ⁽²⁾ (see B.10 "Gain Error Drift (EGD)") ⁽⁹⁾	$\Delta G/^{\circ}\text{C}$	—	-6	—	ppm/ $^{\circ}\text{C}$			

Note 2 This parameter is ensured by characterization.

Note 7 This gain error does not include the offset error.

Note 9 Code range dependent on resolution: 8-bit, codes 4 to 252; 10-bit, codes 16 to 1008; 12-bit, codes 64 to 4032.

MCP48CXBXX

DC CHARACTERISTICS (CONTINUED)

Standard Operating Conditions (unless otherwise specified): Operating Temperature: $-40^{\circ}\text{C} \leq T_A \leq +125^{\circ}\text{C}$ (Extended) All parameters apply across the specified operating ranges unless noted. $V_{DD} = +2.7\text{V}$ to 5.5V , $V_{REF} = +1.000\text{V}$ to V_{DD} , $V_{SS} = 0\text{V}$, $R_L = 2\text{ k}\Omega$ from V_{OUT} to GND, $C_L = 100\text{ pF}$. Typical specifications represent values for $V_{DD} = 5.5\text{V}$, $T_A = +25^{\circ}\text{C}$.							
Parameters	Sym.	Min.	Typ.	Max.	Units	Conditions	
Total Unadjusted Error (see B.6 “Total Unadjusted Error (ET)”) ^(2, 9)	E_T	-2.5	—	0.75	LSb	8-bit	VRxB:VRxA = ‘10’, G = ‘0’, $V_{REF} = V_{DD}$, No Load.
		-9	—	3	LSb	10-bit	VRxB:VRxA = ‘10’, G = ‘0’, $V_{REF} = V_{DD}$, No Load.
		-35	—	12	LSb	12-bit	VRxB:VRxA = ‘10’, G = ‘0’, $V_{REF} = V_{DD}$, No Load.
		See Section 2.0 “Typical Performance Curves”		LSb	VRxB:VRxA = ‘10’, G = ‘1’, $V_{REF} = 0.5 \times V_{DD}$, No Load.		
		See Section 2.0 “Typical Performance Curves”		LSb	VRxB:VRxA = ‘01’, G = ‘0’, G = ‘1’, $V_{DD} = 1.8\text{-}5.5\text{V}$, No Load.		
Integral Nonlinearity (see B.11 “Integral Nonlinearity (INL)”) ⁽⁹⁾	INL	-0.10	—	+0.10	LSb	8-bit	VRxB:VRxA = ‘10’, G = ‘0’, $V_{REF} = V_{DD}$, No Load.
		-0.25	—	+0.25	LSb	10-bit	VRxB:VRxA = ‘10’, G = ‘0’, $V_{REF} = V_{DD}$, No Load.
		-1	—	+1	LSb	12-bit	VRxB:VRxA = ‘10’, G = ‘0’, $V_{REF} = V_{DD}$, No Load.
		See Section 2.0 “Typical Performance Curves” ⁽²⁾		LSb	VRxB:VRxA = ‘10’, G = ‘1’, $V_{REF} = 0.5 \times V_{DD}$, No Load.		
		See Section 2.0 “Typical Performance Curves” ⁽²⁾		LSb	VRxB:VRxA = ‘01’, G = ‘0’, G = ‘1’, $V_{DD} = 1.8\text{-}5.5\text{V}$, No Load.		
Differential Nonlinearity (see B.12 “Differential Nonlinearity (DNL)”) ⁽⁹⁾	DNL	-0.1	—	+0.1	LSb	8-bit	VRxB:VRxA = ‘10’, G = ‘0’, $V_{REF} = V_{DD}$, No Load.
		-0.25	—	+0.25	LSb	10-bit	VRxB:VRxA = ‘10’, G = ‘0’, $V_{REF} = V_{DD}$, No Load.
		-1.0	—	+1.0	LSb	12-bit	VRxB:VRxA = ‘10’, G = ‘0’, $V_{REF} = V_{DD}$, No Load.
		See Section 2.0 “Typical Performance Curves” ⁽²⁾		LSb	VRxB:VRxA = ‘10’, G = ‘1’, $V_{REF} = 0.5 \times V_{DD}$, No Load.		
		See Section 2.0 “Typical Performance Curves” ⁽²⁾		LSb	VRxB:VRxA = ‘01’, G = ‘0’, G = ‘1’, $V_{DD} = 1.8\text{-}5.5\text{V}$, No Load.		

Note 2 This parameter is ensured by characterization.

Note 9 Code range dependent on resolution: 8-bit, codes 4 to 252; 10-bit, codes 16 to 1008; 12-bit, codes 64 to 4032.

DC CHARACTERISTICS (CONTINUED)

Standard Operating Conditions (unless otherwise specified):						
Operating Temperature: $-40^{\circ}\text{C} \leq T_A \leq +125^{\circ}\text{C}$ (Extended)						
All parameters apply across the specified operating ranges unless noted.						
$V_{DD} = +2.7\text{V}$ to 5.5V , $V_{REF} = +1.000\text{V}$ to V_{DD} , $V_{SS} = 0\text{V}$,						
$R_L = 2\text{ k}\Omega$ from V_{OUT} to GND, $C_L = 100\text{ pF}$.						
Typical specifications represent values for $V_{DD} = 5.5\text{V}$, $T_A = +25^{\circ}\text{C}$.						
Parameters	Sym.	Min.	Typ.	Max.	Units	Conditions
-3 dB Bandwidth (see B.16 “-3 dB Bandwidth”)	BW	—	60	—	kHz	$V_{REF} = 3.0\text{V} \pm 2\text{V}$, $VRxB:VRxA = '10'$, $Gx = '0'$
		—	35	—	kHz	$V_{REF} = 3.5\text{V} \pm 1.5\text{V}$, $VRxB:VRxA = '10'$, $Gx = '1'$
Output Amplifier (Op Amp)						
Phase Margin ⁽¹⁾	PM	—	58	—	$^{\circ}\text{C}$	$R_L = \infty$
Slew Rate	SR	—	0.15	—	$\text{V}/\mu\text{s}$	$R_L = 2\text{ k}\Omega$
Load Regulation	—	—	130	—	$\mu\text{V}/\text{mA}$	$1\text{ mA} < I < 6\text{ mA}$
		—	320	—	$\mu\text{V}/\text{mA}$	$-6\text{ mA} < I < -1\text{ mA}$
Short-Circuit Current	I_{SC_OA}	6	10	14	mA	Short to V_{SS} DAC code = Full Scale
		6	10	14	mA	Short to V_{DD} DAC code = Zero Scale
Settling Time ⁽⁸⁾	$t_{SETTLING}$	—	16	—	μs	$R_L = 2\text{ k}\Omega$
Internal Band Gap						
Band Gap Voltage	V_{BG}	1.180	1.214	1.260	V	$1.8 < V_{DD} < 5.5\text{V}$
Short Circuit Current	I_{SC_BG}	6	10	14	mA	Short to V_{SS}
		6	10	14	mA	Short to V_{DD}
Band Gap Voltage Temperature Coefficient	V_{BGTC}	—	16	—	$\text{ppm}/^{\circ}\text{C}$	$1.8\text{V} \leq V_{DD} < 5.5\text{V}$
Band Gap mode V_{REF} pin load regulation	I_{BG}	—	30	—	$\mu\text{V}/\text{mA}$	$1\text{ mA} < I < 6\text{ mA}$
		—	390	—	$\mu\text{V}/\text{mA}$	$-6\text{ mA} < I < -1\text{ mA}$

Note 1 This parameter is ensured by design.

Note 8 Within 1/2 LSB of the final value, when code changes from 1/4 to 3/4 of FSR. (Example: 400h to C00h in a 12-bit device.)

MCP48CXBXX

DC CHARACTERISTICS (CONTINUED)

Standard Operating Conditions (unless otherwise specified):

Operating Temperature: $-40^{\circ}\text{C} \leq T_A \leq +125^{\circ}\text{C}$ (Extended)

All parameters apply across the specified operating ranges unless noted.

$V_{DD} = +2.7\text{V}$ to 5.5V , $V_{REF} = +1.000\text{V}$ to V_{DD} , $V_{SS} = 0\text{V}$,

$R_L = 2\text{ k}\Omega$ from V_{OUT} to GND, $C_L = 100\text{ pF}$.

Typical specifications represent values for $V_{DD} = 5.5\text{V}$, $T_A = +25^{\circ}\text{C}$.

Parameters	Sym.	Min.	Typ.	Max.	Units	Conditions
External Reference (V_{REF})						
Input Range ⁽¹⁾	V_{REF}	V_{SS}	—	$V_{DD} - 0.04$	V	$VRxB:VRxA = '10'$ (Unbuffered mode)
Input Capacitance	C_{REF}	—	29	—	pF	$VRxB:VRxA = '10'$ (Unbuffered mode)
Input Impedance	R_L	See Resistor Ladder Resistance⁽⁶⁾			k Ω	$2.7\text{V} \leq V_{DD} \leq 5.5\text{V}$ $VRxB:VRxA = '10'$ $V_{REF} = V_{DD}$
Current through V_{REF} ⁽¹⁾	I_{VREF}	—	—	172.15	μA	Mathematically from $R_{VREF(\text{min})}$ spec (at 5.5V)
Total Harmonic Distortion ⁽¹⁾	THD	—	-76	—	dB	$V_{REF} = 2.048\text{V} \pm 0.1\text{V}$, $VRxB:VRxA = '10'$, $Gx = '0'$, Frequency = 1 kHz
Dynamic Performance						
Major Code Transition Glitch (see B.14 "Major-Code Transition Glitch")	—	—	10	—	nV-s	1 LSb change around major carry (7FFh to 800h)
Digital Feedthrough (see B.15 "Digital Feed-Through")	—	—	<2	—	nV-s	

Note 1 This parameter is ensured by design.

Note 6 Resistance is defined as the resistance between the V_{REF} pin (mode $VRxB:VRxA = '10'$) to V_{SS} pin. For dual-channel devices (MCP48CXBX2), this is the effective resistance of each resistor ladder. The resistance measurement is one of the two resistor ladders measured in parallel.

DC CHARACTERISTICS (CONTINUED)

Standard Operating Conditions (unless otherwise specified):							
Operating Temperature: $-40^{\circ}\text{C} \leq T_A \leq +125^{\circ}\text{C}$ (Extended)							
All parameters apply across the specified operating ranges unless noted.							
$V_{DD} = +2.7\text{V}$ to 5.5V , $V_{REF} = +1.000\text{V}$ to V_{DD} , $V_{SS} = 0\text{V}$,							
$R_L = 2\text{ k}\Omega$ from V_{OUT} to GND, $C_L = 100\text{ pF}$.							
Typical specifications represent values for $V_{DD} = 5.5\text{V}$, $T_A = +25^{\circ}\text{C}$.							
Parameters	Sym.	Min.	Typ.	Max.	Units	Conditions	
Digital Inputs/Outputs ($\overline{\text{CS}}$, SDI, SDO, SCK, LATx)							
Schmitt Trigger High-Input Threshold	V_{IH}	$0.45 V_{DD}$	—	—	V	$1.8\text{V} \leq V_{DD} \leq 5.5\text{V}$ (Allows 2.7V Digital V_{DD} with 5.5V Analog V_{DD} or 1.8V Digital V_{DD} with 3.0V Analog V_{DD})	
Schmitt Trigger Low-Input Threshold	V_{IL}	—	—	$0.2 V_{DD}$	V		
Hysteresis of Schmitt Trigger Inputs	V_{HYS}	—	$0.1 V_{DD}$	—	V		
Output Low Voltage (SDO)	V_{OL}	V_{SS}	—	$0.3 V_{DD}$	V	$I_{OL} = 200\text{ }\mu\text{A}$	
Output High Voltage (SDO)	V_{OH}	$0.7 V_{DD}$	—	V_{DD}	V	$I_{OH} = -200\text{ }\mu\text{A}$	
Input Leakage Current	I_{IL}	-1	—	1	μA	$V_{IN} = V_{DD}$ and $V_{IN} = V_{SS}$	
Pin Capacitance	C_{IN}, C_{OUT}	—	10	—	pF		
RAM Value							
Value Range	N	0h	—	FFh	hex	8-bit	
		0h	—	3FFh	hex	10-bit	
		0h	—	FFFh	hex	12-bit	
DAC Register POR/BOR Value	N	See Table 4-2			hex	8-bit	
		See Table 4-2			hex	10-bit	
		See Table 4-2			hex	12-bit	
PDCON Initial Factory Setting	—	See Table 4-2			hex		
Power Requirements							
Power Supply Sensitivity (B.17 "Power-Supply Sensitivity (PSS)")	PSS	—	0.001	0.0035	%/%	8-bit	Code = Midscale
						10-bit	
						12-bit	

MCP48CXBXX

DC CHARACTERISTICS (CONTINUED)

Standard Operating Conditions (unless otherwise specified):

Operating Temperature: $-40^{\circ}\text{C} \leq T_A \leq +125^{\circ}\text{C}$ (Extended)

All parameters apply across the specified operating ranges unless noted.

$V_{DD} = +2.7\text{V}$ to 5.5V , $V_{REF} = +1.000\text{V}$ to V_{DD} , $V_{SS} = 0\text{V}$,

$R_L = 2\text{ k}\Omega$ from V_{OUT} to GND, $C_L = 100\text{ pF}$.

Typical specifications represent values for $V_{DD} = 5.5\text{V}$, $T_A = +25^{\circ}\text{C}$.

Parameters	Sym.	Min.	Typ.	Max.	Units	Conditions
Multi-Time Programming Memory (MTP)						
MTP Programming Voltage (Note 1)	V_{PG_MTP}	2.0	—	5.5	V	$HVC = V_{IHH}$, $-20^{\circ}\text{C} \leq T_A \leq +125^{\circ}\text{C}$
LAT/HVC pin Voltage for MTP Programming (High-Voltage Commands) ⁽¹⁾	V_{IHH}	7.25	7.5	7.75V	V	The LAT/HVC pin will be at one of the three input levels (V_{IL} , V_{IH} or V_{IHH}) ^(1,11) The LAT/HVC pin must supply the required MTP programming current (up to 6.4 mA).
Writes Cycles	—	—	—	32 ⁽¹²⁾	Cycles	Note 1
Data Retention	DR_{MTP}	10	—	—	Years	at $+85^{\circ}\text{C}$ ⁽¹⁾
MTP Range	N	0h	—	FFh	hex	8-bit
		0h	—	3FFh	hex	10-bit
		0h	—	FFFh	hex	12-bit
		0000h	—	7FFFh	hex	All General Purpose Memory
Initial Factory Setting	N	See Table 4-2			—	
MTP Programming Write Cycle Time	$t_{WC(MTP)}$	—	—	250	us	$V_{DD} = +2.0\text{V}$ to 5.5V , $-20^{\circ}\text{C} \leq T_A \leq +125^{\circ}\text{C}$ (Note 1)

Note 1 This parameter is ensured by design.

Note 11 High voltage on the LAT/HVC pin must be limited to the command + programming time. After the programming cycle, the LAT/HVC pin voltage must be returned to 5.5V or lower.

Note 12 After 32 MTP write cycles, writes are inhibited and the 32nd write value is retained (not corrupted).

DC Notes:

1. This parameter is ensured by design.
2. This parameter is ensured by characterization.
3. POR/BOR voltage trip point is not slope dependent. Hysteresis implemented with time delay.
4. Supply current is independent of current through the resistor ladder in mode VRxB:VRxA = '10'.
5. The PDxB:PDxA = '01', '10', and '11' configurations should have the same current.
6. Resistance is defined as the resistance between the V_{REF} pin (mode VRxB:VRxA = '10') to V_{SS} pin. For dual-channel devices (MCP48CXB2), this is the effective resistance of each resistor ladder. The resistance measurement is one of the two resistor ladders measured in parallel.
7. This gain error does not include the offset error.
8. Within 1/2 LSB of the final value, when code changes from 1/4 to 3/4 of FSR. (Example: 400h to C00h in a 12-bit device.)
9. Code range dependent on resolution: 8-bit, codes 4 to 252; 10-bit, codes 16 to 1008; 12-bit, codes 64 to 4032.
10. Variation of one output voltage to mean output voltage for dual devices only.
11. High voltage on the LAT/HVC pin must be limited to the command + programming time. After the programming cycle, the LAT/HVC pin voltage must be returned to 5.5V or lower.
12. After 32 MTP write cycles, writes are inhibited and the 32nd write value is retained (not corrupted).

MCP48CXBXX

1.1 Timing Waveforms and Requirements

1.1.1 WIPER SETTling TIME

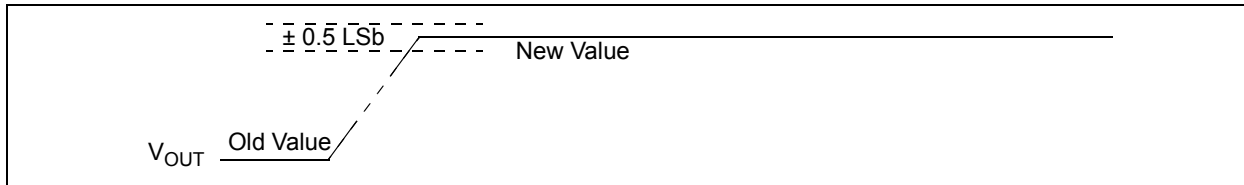


FIGURE 1-1: V_{OUT} Settling Time Waveforms.

TABLE 1-1: WIPER SETTling TIMING

Timing Characteristics		Standard Operating Conditions (unless otherwise specified): Operating Temperature: $-40^{\circ}\text{C} \leq T_A \leq +125^{\circ}\text{C}$ (Extended) All parameters apply across the specified operating ranges unless noted. $V_{DD} = +2.7\text{V}$ to 5.5V , $V_{SS} = 0\text{V}$, $R_L = 2\text{ k}\Omega$ from V_{OUT} to GND, $C_L = 100\text{ pF}$. Typical specifications represent values for $V_{DD} = 5.5\text{V}$, $T_A = +25^{\circ}\text{C}$.				
Parameters	Sym.	Min.	Typ.	Max.	Units	Conditions
V_{OUT} Settling Time (see B.13 "Settling Time")	t_S	—	16	—	μs	12-bit Code = 400h \rightarrow C00h; C00h \rightarrow 400h (Note 1)

Note 1: Within 1/2 LSB of final value when code changes from 1/4 to 3/4 of FSR.

1.1.2 LATCH PIN ($\overline{\text{LAT}}$) TIMING

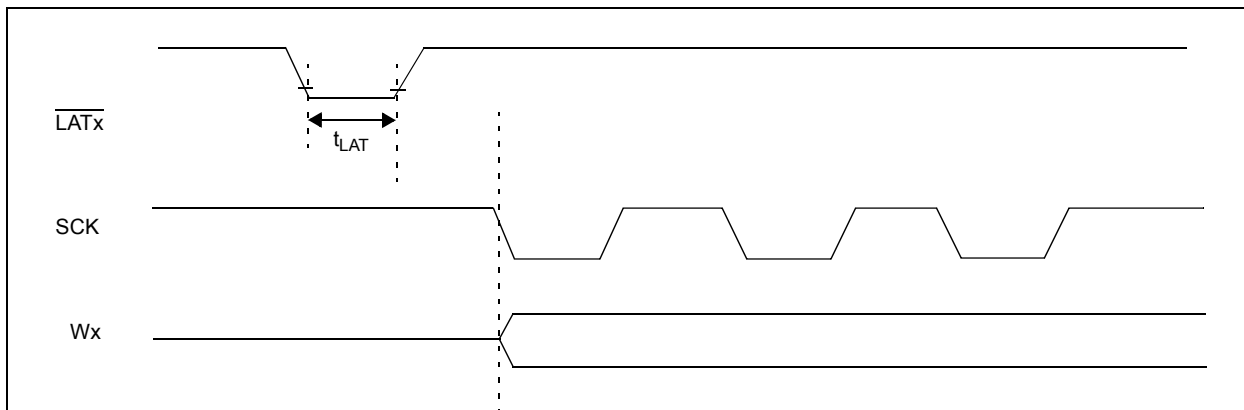


FIGURE 1-2: $\overline{\text{LAT}}$ Pin Waveforms.

TABLE 1-2: $\overline{\text{LAT}}$ PIN TIMING

Timing Characteristics		Standard Operating Conditions (unless otherwise specified): Operating Temperature: $-40^{\circ}\text{C} \leq T_A \leq +125^{\circ}\text{C}$ (Extended) All parameters apply across the specified operating ranges unless noted. $V_{DD} = +2.7\text{V}$ to 5.5V , $V_{SS} = 0\text{V}$, $R_L = 2\text{ k}\Omega$ from V_{OUT} to GND, $C_L = 100\text{ pF}$. Typical specifications represent values for $V_{DD} = 5.5\text{V}$, $T_A = +25^{\circ}\text{C}$.				
Parameters	Sym.	Min.	Typ.	Max.	Units	Conditions
LATx Pin Pulse Width	t_{LAT}	20	—	—	ns	

1.1.3 RESET AND POWER-DOWN TIMING

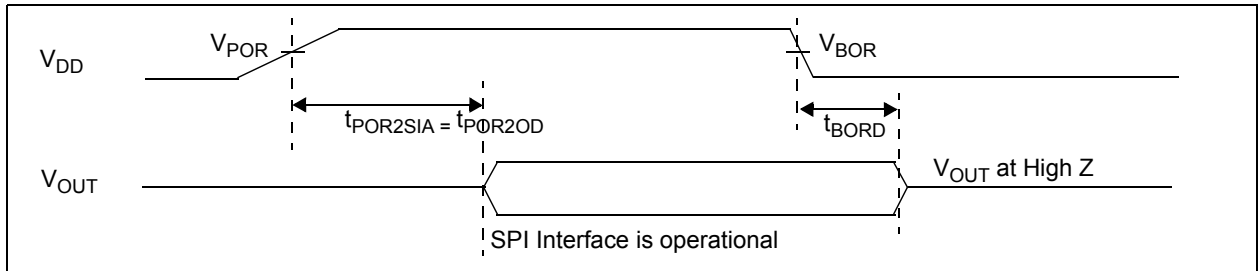


FIGURE 1-3: Power-on and Brown-out Reset Waveforms.

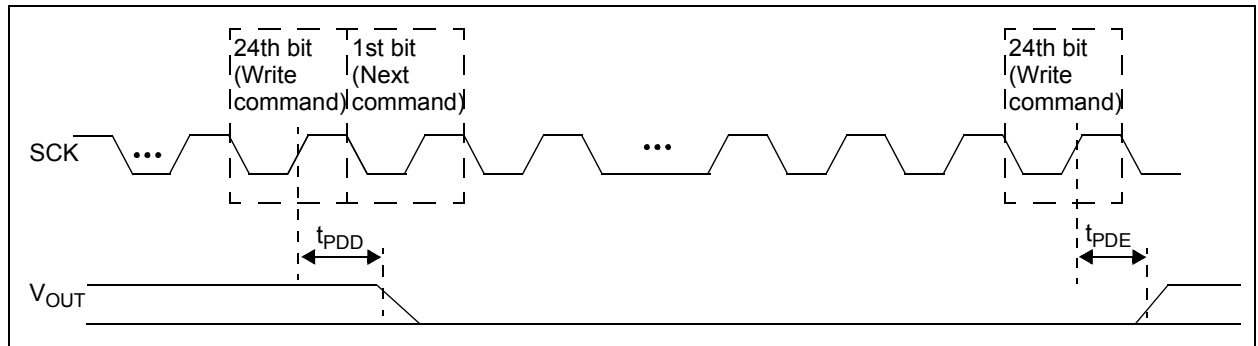


FIGURE 1-4: SPI Power-Down Waveforms.

TABLE 1-3: RESET AND POWER-DOWN TIMING

Timing Characteristics		Standard Operating Conditions (unless otherwise specified): Operating Temperature: $-40^{\circ}\text{C} \leq T_A \leq +125^{\circ}\text{C}$ (Extended)				
		All parameters apply across the specified operating ranges unless noted. $V_{DD} = +2.7\text{V to } 5.5\text{V}$, $V_{SS} = 0\text{V}$, $R_L = 2\text{ k}\Omega$ from V_{OUT} to GND, $C_L = 100\text{ pF}$. Typical specifications represent values for $V_{DD} = 5.5\text{V}$, $T_A = +25^{\circ}\text{C}$.				
Parameters	Sym.	Min.	Typ.	Max.	Units	Conditions
Power-on Reset Delay (Note 1)	$t_{POR2SIA}$	—	—	130	μs	Single V_{DD} transitions from $V_{DD(MIN)} \rightarrow > V_{POR}$
		—	—	145		Dual V_{OUT} disabled to V_{OUT} driven
Brown-out Reset Delay	t_{BORD}	—	30	—	μs	V_{DD} transitions from V_{DD} (normal operation) $\rightarrow < V_{BOR}$ V_{OUT} driven to V_{OUT} disabled
Power-Down Output Enable Time Delay	T_{PDE}	—	1.5	—	μs	$PDxB:PDxA = '11', '10', \text{ or } '01' \rightarrow '00'$ started from the rising edge of the 24 th SCK clock cycle; Volatile DAC Register = FFFh, $V_{OUT} = 10\text{ mV}$; V_{OUT} not connected.
Power-Down Output Disable Time Delay	T_{PDD}	—	0.025	—	μs	$PDxB:PDxA = '00' \rightarrow '11', '10', \text{ or } '01'$ started from the rising edge of the 24 th SCK clock cycle; $V_{OUT} = V_{OUT} - 10\text{ mV}$; V_{OUT} not connected.

Note 1: This parameter is ensured by characterization.

MCP48CXBXX

1.2 SPI Mode Timing Waveforms and Requirements

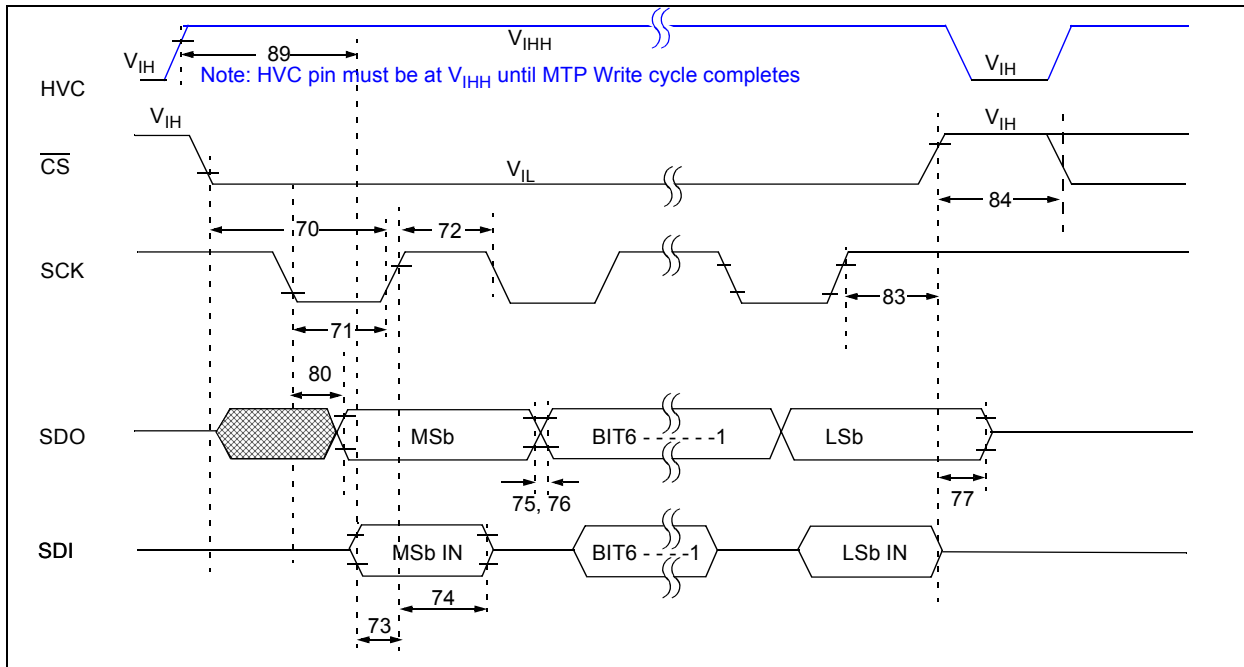


FIGURE 1-5: SPI Timing Waveform (Mode = '11').

TABLE 1-4: SPI REQUIREMENTS (MODE = '11')

#	Characteristic ⁽²⁾	Sym.	Min.	Max.	Units	Conditions
—	SCK Input Frequency	F_{SCK}	—	25	MHz	$V_{DD} = 2.7V$ to $5.5V$ - Read command, $C_L = 20$ pF
			—	50	MHz	$V_{DD} = 2.7V$ to $5.5V$ - Write commands, $C_L = 20$ pF
			—	10	MHz	$V_{DD} = 1.8V$ to $2.7V$
70	\overline{CS} Active (V_{IL}) to SCK \uparrow Input	$T_{csA2sch}$	15	—	ns	
71	SCK Input High Time	T_{sch}	10	—	ns	$V_{DD} = 2.7V$ to $5.5V$
			20	—	ns	$V_{DD} = 1.8V$ to $2.7V$
72	SCK Input Low Time	T_{scl}	10	—	ns	$V_{DD} = 2.7V$ to $5.5V$
			20	—	ns	$V_{DD} = 1.8V$ to $2.7V$
73	SDI Input Valid to SCK \uparrow Edge (Setup Time)	$T_{diV2sch}$	5	—	ns	
74	SCK \uparrow Edge to SDI Input Invalid (Hold Time)	$T_{sch2diL}$	10	—	ns	
77	\overline{CS} Inactive (V_{IH}) to SDO Output High-Impedance	$T_{csH2doZ}$	—	20	ns	Note 1
80	SCK \downarrow Edge to SDO Data Output Valid	$T_{scl2doV}$	—	20	ns	$V_{DD} = 2.7V$ to $5.5V$
			—	35	ns	$V_{DD} = 1.8V$ to $2.7V$
83	SCK \uparrow Edge to \overline{CS} Inactive (V_{IH}) (Hold Time)	$T_{sch2csl}$	15	—	ns	$V_{DD} = 2.7V$ to $5.5V$
			20	—	ns	$V_{DD} = 1.8V$ to $2.7V$
84	\overline{CS} Input High Time	$T_{csA2csl}$	30	—	ns	
89	Delay from HVC V_{IHH} to First Command Byte ⁽¹⁾	—	0	—	ns	

Note 1: This specification is ensured by design.

Note 2: This parameter is ensured by characterization.

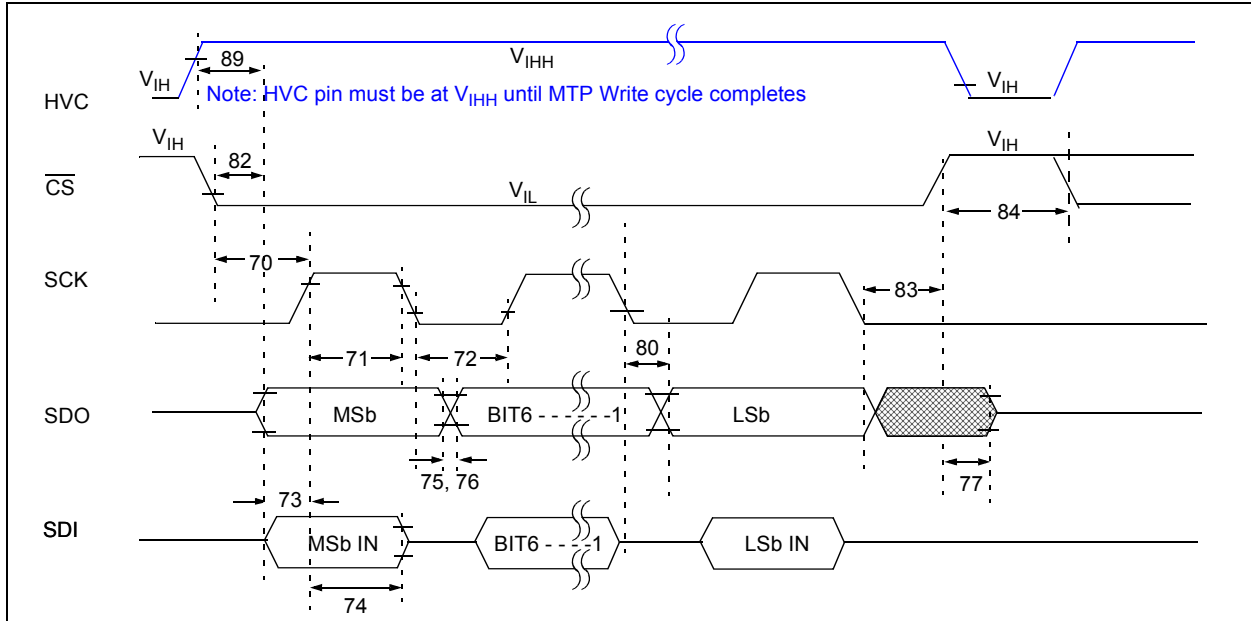


FIGURE 1-6: SPI Timing Waveform (Mode = 00).

TABLE 1-5: SPI REQUIREMENTS (MODE = 00)

#	Characteristic ⁽²⁾	Sym.	Min.	Max.	Units	Conditions
—	SCK Input Frequency	F_{SCK}	—	25	MHz	$V_{DD} = 2.7V$ to $5.5V$ - Read command, $C_L = 20$ pF
			—	50	MHz	$V_{DD} = 2.7V$ to $5.5V$ - Write commands, $C_L = 20$ pF
			—	10	MHz	$V_{DD} = 1.8V$ to $2.7V$
70	\overline{CS} Active (V_{IL} or V_{IHH}) to SCK \uparrow Input	$T_{csA2scH}$	15	—	ns	
71	SCK Input High Time	T_{sch}	10	—	ns	$V_{DD} = 2.7V$ to $5.5V$
			20	—	ns	$V_{DD} = 1.8V$ to $2.7V$
72	SCK Input Low Time	T_{scL}	10	—	ns	$V_{DD} = 2.7V$ to $5.5V$
			20	—	ns	$V_{DD} = 1.8V$ to $2.7V$
73	SDI Input Valid to SCK \uparrow Edge (Setup Time)	$T_{dIV2scH}$	5	—	ns	
74	SCK \uparrow Edge to SDI Input Invalid (Hold Time)	$T_{sch2dIL}$	10	—	ns	
77	\overline{CS} Inactive (V_{IH}) to SDO Output High-Impedance	$T_{csH2doZ}$	—	20	ns	Note 1
80	SCK \downarrow Edge to SDO Data Output Valid	$T_{scL2doV}$	—	20	ns	$V_{DD} = 2.7V$ to $5.5V$
			—	35	ns	$V_{DD} = 1.8V$ to $2.7V$
82	\overline{CS} Active (V_{IL}) to SDO Data Output Valid	$T_{csL2doV}$	—	20	ns	$2.7V$ to $5.5V$
			—	35	ns	$1.8V$ to $2.7V$
83	SCK \downarrow Edge to \overline{CS} Inactive (V_{IH}) (Hold Time)	$T_{sch2csl}$	15	—	ns	$V_{DD} = 2.7V$ to $5.5V$
			20	—	ns	$V_{DD} = 1.8V$ to $2.7V$
84	\overline{CS} Input High Time	$T_{csA2csl}$	30	—	ns	
89	Delay from HVC V_{IHH} to First Command Byte ⁽⁴⁾	—	0	—	ns	

Note 1: This specification is ensured by design.

2: This parameter is ensured by characterization.

MCP48CXBXX

TEMPERATURE SPECIFICATIONS

Electrical Specifications: Unless otherwise indicated, $V_{DD} = +2.7V$ to $+5.5V$, $V_{SS} = GND$.

Parameters	Sym.	Min.	Typ.	Max.	Units	Conditions
Temperature Ranges						
Specified Temperature Range	T_A	-40	—	+125	°C	
Operating Temperature Range	T_A	-40	—	+125	°C	Note 1
Storage Temperature Range	T_A	-65	—	+150	°C	
Thermal Package Resistances						
Thermal Resistance, 10L-MSOP	θ_{JA}	—	206	—	°C/W	
Thermal Resistance, 10L-DFN (3 x 3)	θ_{JA}	—	91	—	°C/W	
Thermal Resistance, 16L-QFN	θ_{JA}	—	58	—	°C/W	

Note 1: The MCP48CXBXX devices operate over this extended temperature range, but with reduced performance. Operation in this range must not cause T_J to exceed the Maximum Junction Temperature of $+150^\circ\text{C}$.

2.0 TYPICAL PERFORMANCE CURVES

Note: The graphs and tables provided following this note are a statistical summary based on a limited number of samples and are provided for informational purposes only. The performance characteristics listed herein are not tested or guaranteed. In some graphs or tables, the data presented may be outside the specified operating range (e.g., outside specified power supply range) and therefore outside the warranted range.

2.1 Electrical Data

Note: Unless otherwise indicated, $T_A = +25^\circ\text{C}$, $V_{DD} = 5.5\text{V}$.

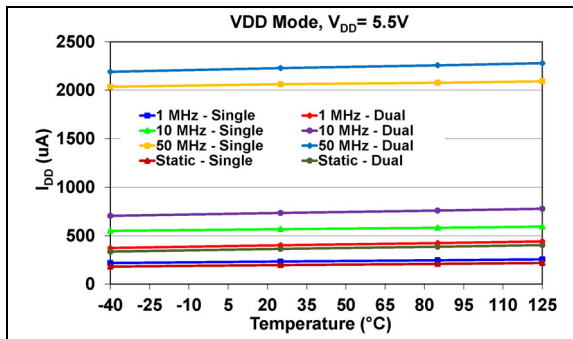


FIGURE 2-1: Average Device Supply Current vs. F_{SCK} Frequency, Voltage and Temperature - Active Interface, $VRxB:VRxA = '00'$, (V_{DD} Mode).

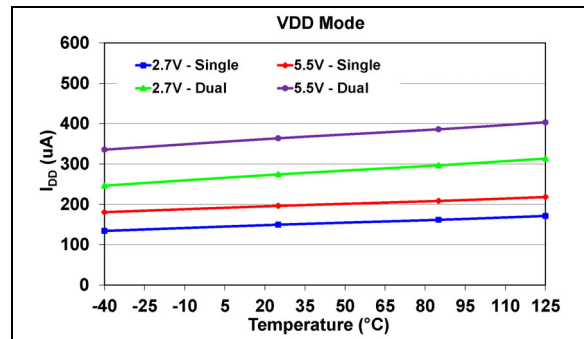


FIGURE 2-4: Average Device Supply Current - Inactive Interface ($SCK = V_{IH}$ or V_{IL}) vs. Voltage and Temperature, $VRxB:VRxA = '00'$ (V_{DD} Mode).

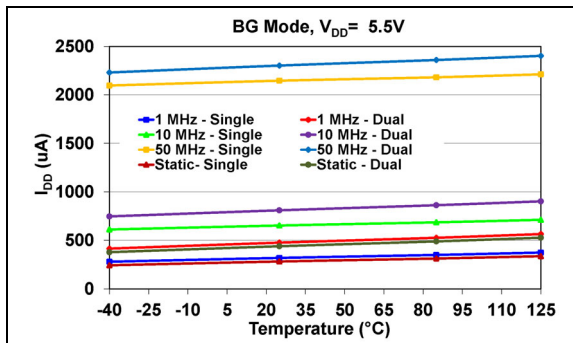


FIGURE 2-2: Average Device Supply Current vs. F_{SCK} Frequency, Voltage and Temperature - Active Interface, $VRxB:VRxA = '01'$ (Band Gap Mode).

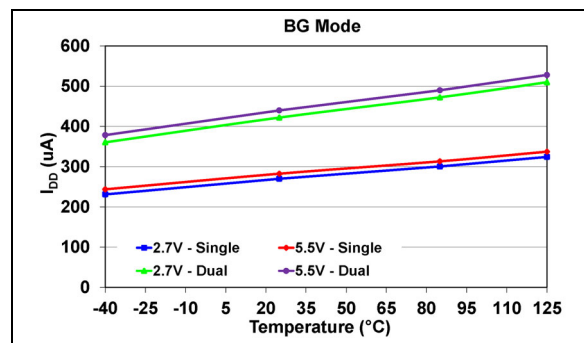


FIGURE 2-5: Average Device Supply Current - Inactive Interface ($SCK = V_{IH}$ or V_{IL}) vs. Voltage and Temperature, $VRxB:VRxA = '01'$ (Band Gap Mode).

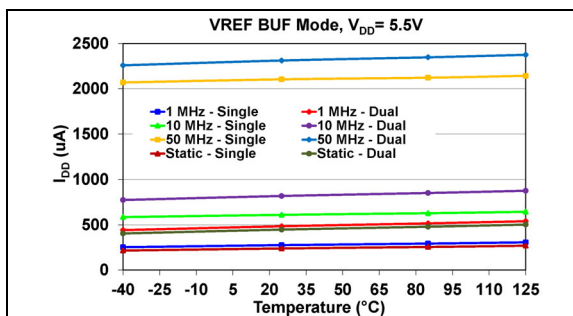


FIGURE 2-3: Average Device Supply Current vs. F_{SCK} Frequency, Voltage and Temperature - Active Interface, $VRxB:VRxA = '11'$ (V_{REF} Buffered Mode).

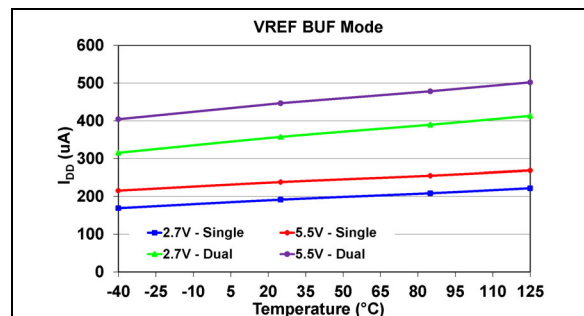


FIGURE 2-6: Average Device Supply Current - Inactive Interface ($SCK = V_{IH}$ or V_{IL}) vs. Voltage and Temperature, $VRxB:VRxA = '11'$ (V_{REF} Buffered Mode).

MCP48CXBXX

Note: Unless otherwise indicated, $T_A = +25^\circ\text{C}$, $V_{DD} = 5.5\text{V}$.

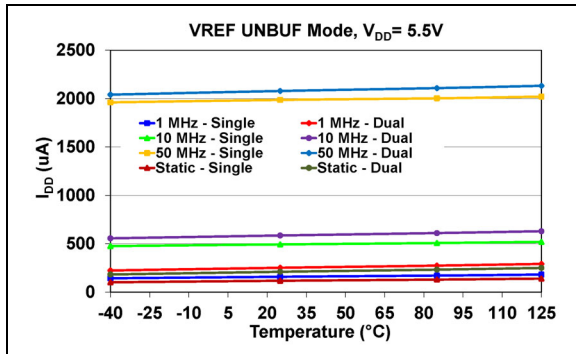


FIGURE 2-7: Average Device Supply Current vs. F_{SCK} Frequency, Voltage and Temperature - Active Interface, $V_{REF}:V_{RxA} = '10'$ (V_{REF} Unbuffered Mode).

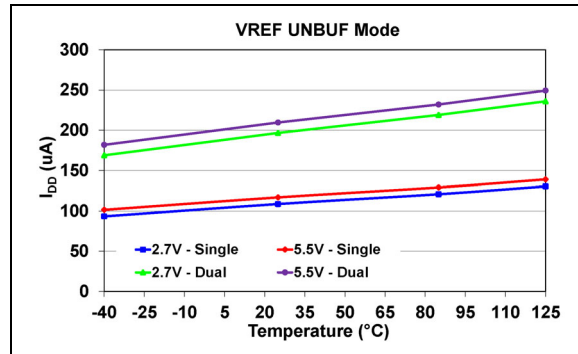


FIGURE 2-9: Average Device Supply Current - Inactive Interface ($SCK = V_{IH}$ or V_{IL}) vs. Voltage and Temperature, $V_{RxB}:V_{RxA} = '10'$ (V_{REF} Unbuffered Mode).

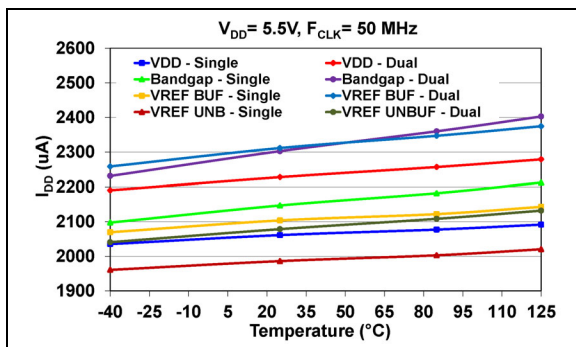


FIGURE 2-8: Average Device Supply Active Current (I_{DDA}) (at 5.5V and $F_{SCK} = 50\text{ MHz}$) vs. Temperature and DAC Reference Voltage Mode.

2.2 Linearity Data

2.2.1 TOTAL UNADJUSTED ERROR (TUE) - MCP48CXB2X (12-BIT), $V_{REF} = V_{DD}$ (VRXB:VRXA = '00'), GAIN = 1X, CODE 64-4032

Note: Unless otherwise indicated: $T_A = +25^\circ\text{C}$, $V_{DD} = 5.5\text{V}$

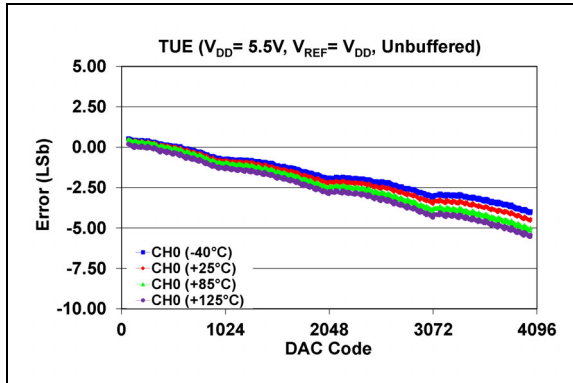


FIGURE 2-10: Total Unadjusted Error (V_{OUT}) vs. DAC Code and Temperature (Single-Channel - MCP48CXB21), $V_{DD} = 5.5\text{V}$.

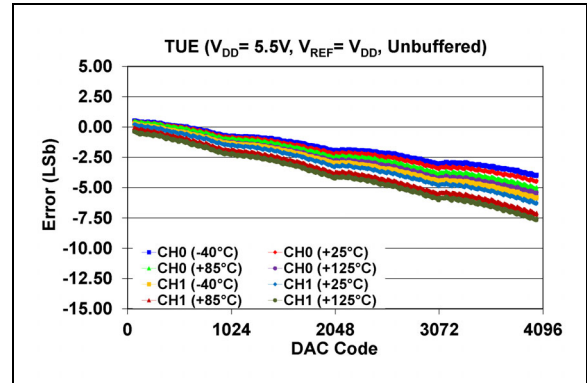


FIGURE 2-13: Total Unadjusted Error (V_{OUT}) vs. DAC Code and Temperature (Dual-Channel - MCP48CXB22), $V_{DD} = 5.5\text{V}$.

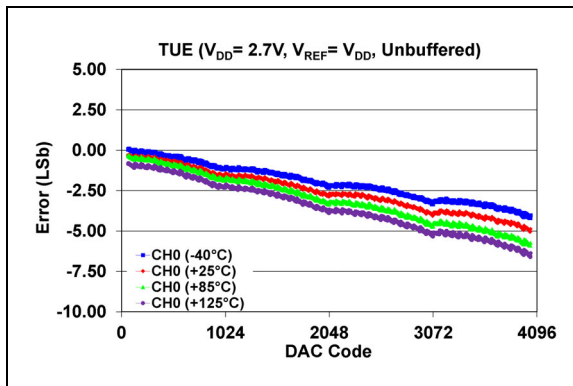


FIGURE 2-11: Total Unadjusted Error (V_{OUT}) vs. DAC Code and Temperature (Single-Channel - MCP48CXB21), $V_{DD} = 2.7\text{V}$.

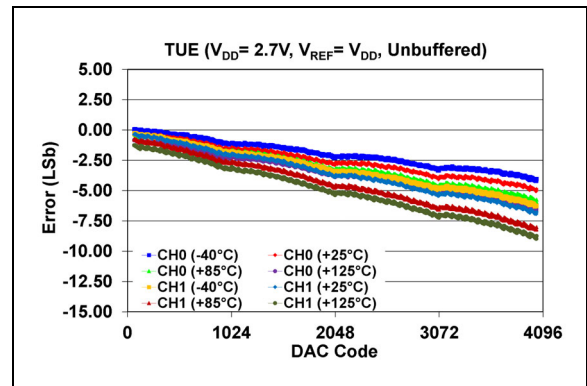


FIGURE 2-14: Total Unadjusted Error (V_{OUT}) vs. DAC Code and Temperature (Dual-Channel - MCP48CXB22), $V_{DD} = 2.7\text{V}$.

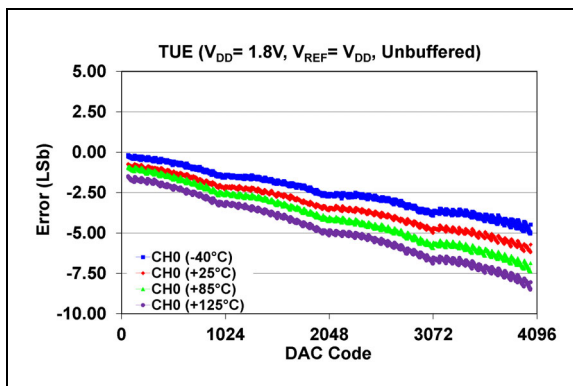


FIGURE 2-12: Total Unadjusted Error (V_{OUT}) vs. DAC Code and Temperature (Single-Channel - MCP48CXB21), $V_{DD} = 1.8\text{V}$.

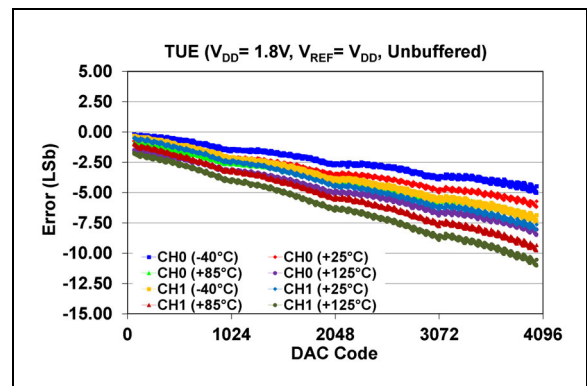


FIGURE 2-15: Total Unadjusted Error (V_{OUT}) vs. DAC Code and Temperature (Dual-Channel - MCP48CXB22), $V_{DD} = 1.8\text{V}$.

MCP48CXBXX

2.2.2 INTEGRAL NONLINEARITY (INL) - MCP48CXB2X (12-BIT), $V_{REF} = V_{DD}$ (VRXB:VRXA = '00'), GAIN = 1X, CODE 64-4032

Note: Unless otherwise indicated, $T_A = +25^\circ\text{C}$, $V_{DD} = 5.5\text{V}$.

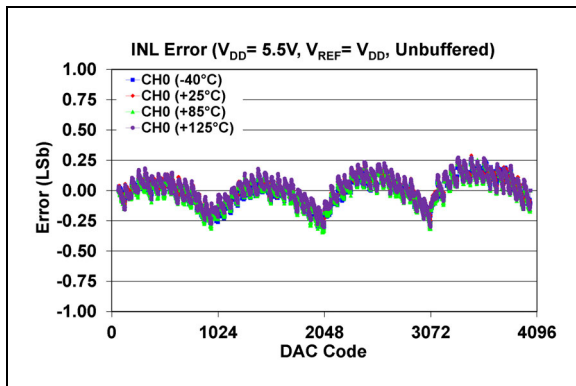


FIGURE 2-16: INL Error vs. DAC Code and Temperature (Single-Channel - MCP48CXB21), $V_{DD} = 5.5\text{V}$.

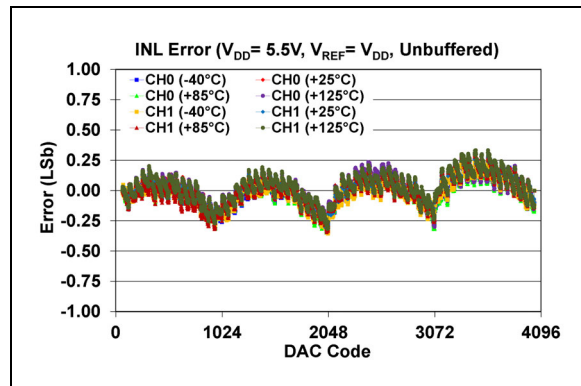


FIGURE 2-19: INL Error vs. DAC Code and Temperature (Dual-Channel - MCP48CXB22), $V_{DD} = 5.5\text{V}$.

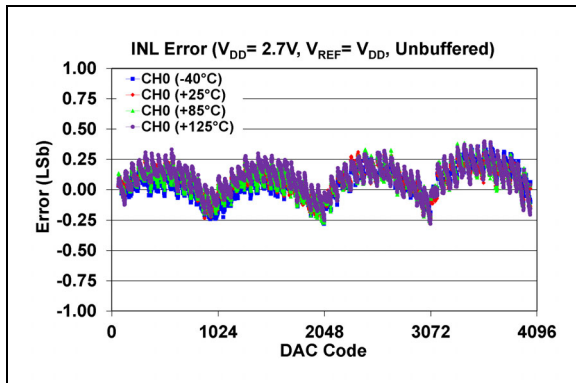


FIGURE 2-17: INL Error vs. DAC Code and Temperature (Single-Channel - MCP48CXB21), $V_{DD} = 2.7\text{V}$.

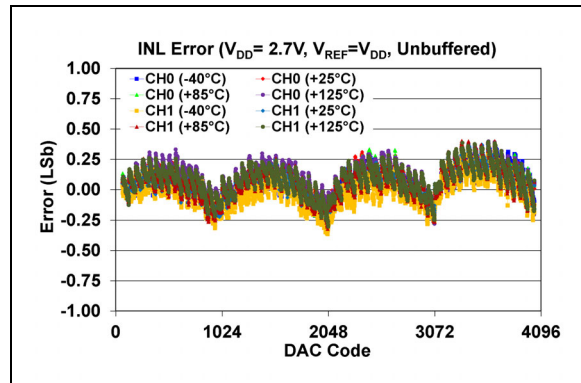


FIGURE 2-20: INL Error vs. DAC Code and Temperature (Dual-Channel - MCP48CXB22), $V_{DD} = 2.7\text{V}$.

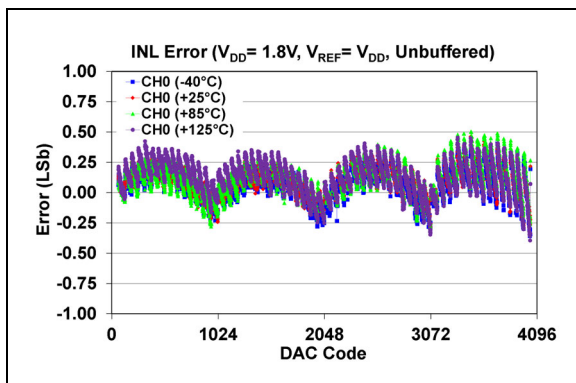


FIGURE 2-18: INL Error vs. DAC Code and Temperature (Single-Channel - MCP48CXB21), $V_{DD} = 1.8\text{V}$.

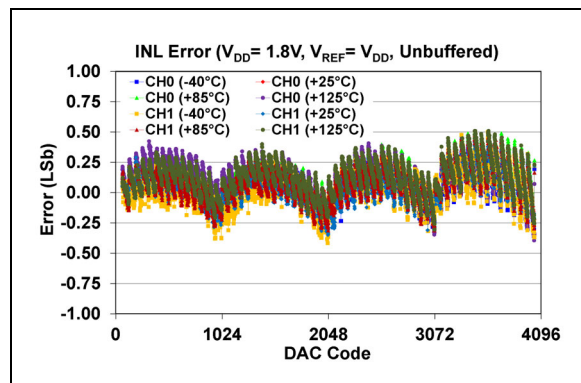


FIGURE 2-21: INL Error vs. DAC Code and Temperature (Dual-Channel - MCP48CXB22), $V_{DD} = 1.8\text{V}$.

2.2.3 DIFFERENTIAL NONLINEARITY (DNL) - MCP48CXB2X (12-BIT), $V_{REF} = V_{DD}$ (VRXB:VRXA = '00'), GAIN = 1X, CODE 64 - 4032

Note: Unless otherwise indicated, $T_A = +25^\circ\text{C}$, $V_{DD} = 5.5\text{V}$.

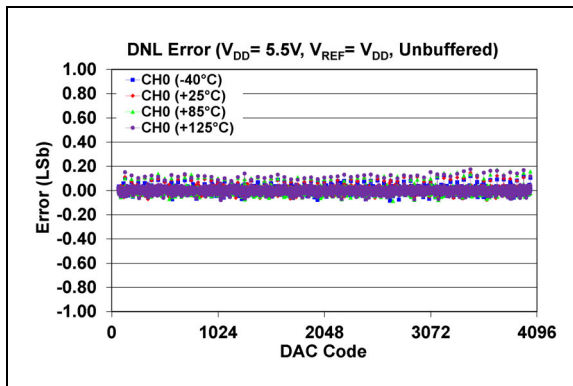


FIGURE 2-22: DNL Error vs. DAC Code and Temperature (Single-Channel - MCP48CXB21), $V_{DD} = 5.5\text{V}$.

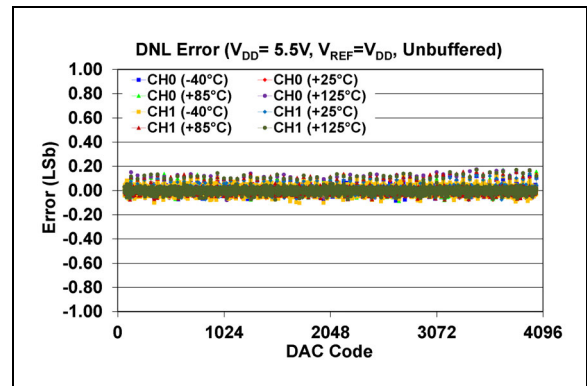


FIGURE 2-25: DNL Error vs. DAC Code and Temperature (Dual-Channel - MCP48CXB22), $V_{DD} = 5.5\text{V}$.

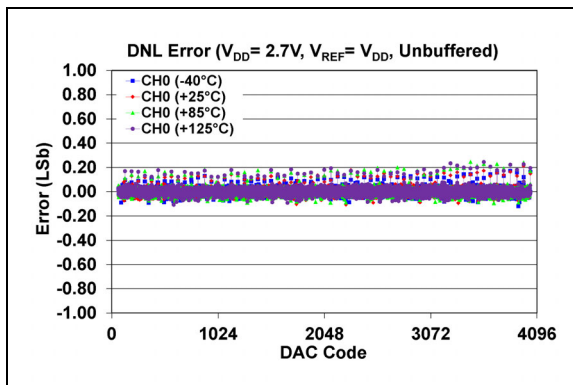


FIGURE 2-23: DNL Error vs. DAC Code and Temperature (Single-Channel - MCP48CXB21), $V_{DD} = 2.7\text{V}$.

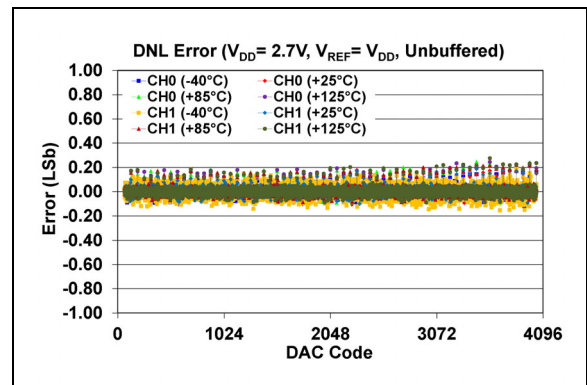


FIGURE 2-26: DNL Error vs. DAC Code and Temperature (Dual-Channel - MCP48CXB22), $V_{DD} = 2.7\text{V}$.

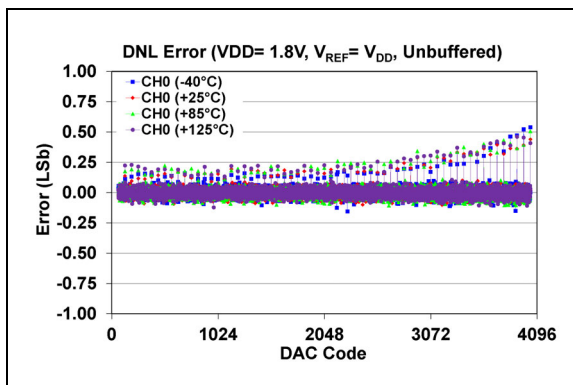


FIGURE 2-24: DNL Error vs. DAC Code and Temperature (Single-Channel - MCP48CXB21), $V_{DD} = 1.8\text{V}$.

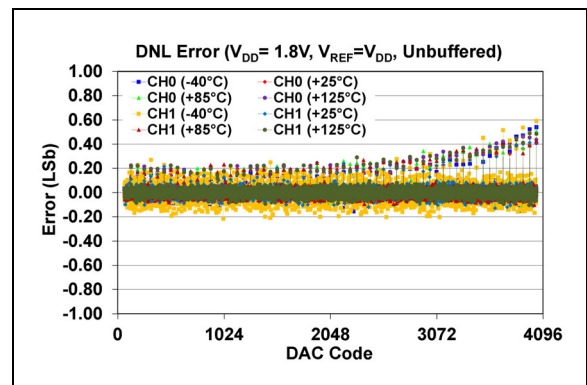


FIGURE 2-27: DNL Error vs. DAC Code and Temperature (Dual-Channel - MCP48CXB22), $V_{DD} = 1.8\text{V}$.

MCP48CXBXX

2.2.4 TOTAL UNADJUSTED ERROR (TUE) - MCP48CXB2X (12-BIT), EXTERNAL $V_{REF} = 0.5 V_{DD}$ (VRXB:VRXA = '10'), UNBUFFERED, CODE 64 - 4032

Note: Unless otherwise indicated, $T_A = +25^\circ\text{C}$, $V_{DD} = 5.5\text{V}$.

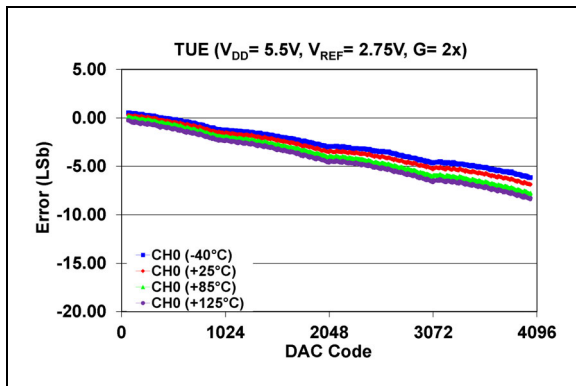


FIGURE 2-28: Total Unadjusted Error (V_{OUT}) vs. DAC Code and Temperature (Single-Channel - MCP48CXB21), $V_{REF} = 0.5 \times V_{DD} = 2.75\text{V}$, Gain = 2X.

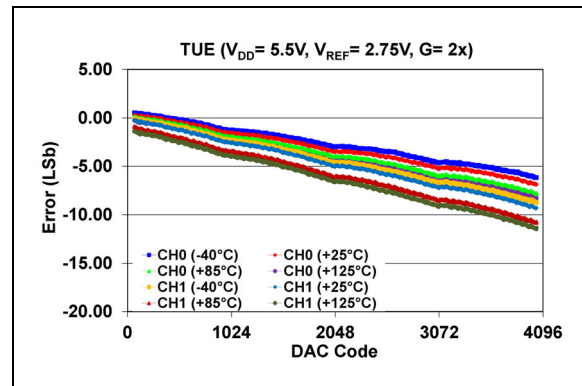


FIGURE 2-30: Total Unadjusted Error (V_{OUT}) vs. DAC Code, and Temperature (Dual-Channel - MCP48CXB22), $V_{REF} = 0.5 \times V_{DD} = 2.75\text{V}$, Gain = 2X.

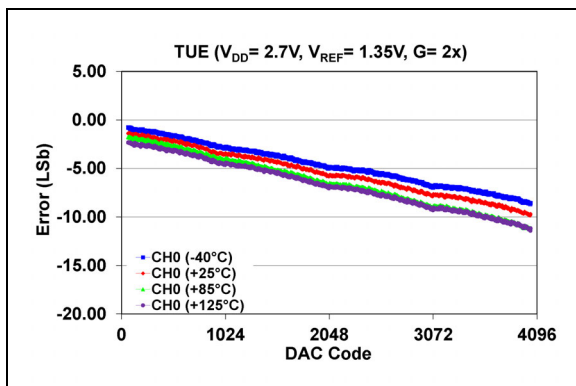


FIGURE 2-29: Total Unadjusted Error (V_{OUT}) vs. DAC Code and Temperature (Single-Channel - MCP48CXB21), $V_{REF} = 0.5 \times V_{DD} = 1.35\text{V}$, Gain = 2X.

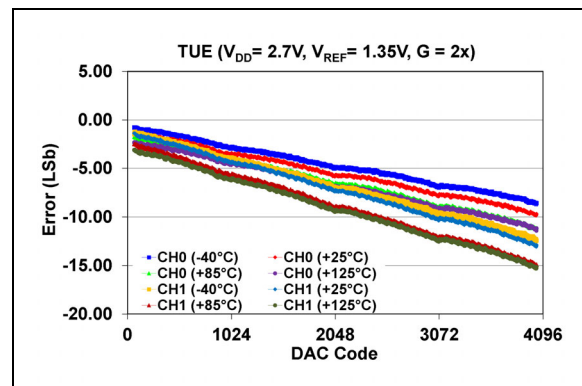


FIGURE 2-31: Total Unadjusted Error (V_{OUT}) vs. DAC Code and Temperature (Dual-Channel - MCP48CXB22), $V_{REF} = 0.5 \times V_{DD} = 1.35\text{V}$, Gain = 2X.

2.2.5 INTEGRAL NONLINEARITY (INL) - MCP48CXB2X (12-BIT), EXTERNAL $V_{REF} = 0.5 V_{DD}$ (VRXB:VRXA = '10'), UNBUFFERED, CODE 64 - 4032

Note: Unless otherwise indicated, $T_A = +25^\circ\text{C}$, $V_{DD} = 5.5\text{V}$.

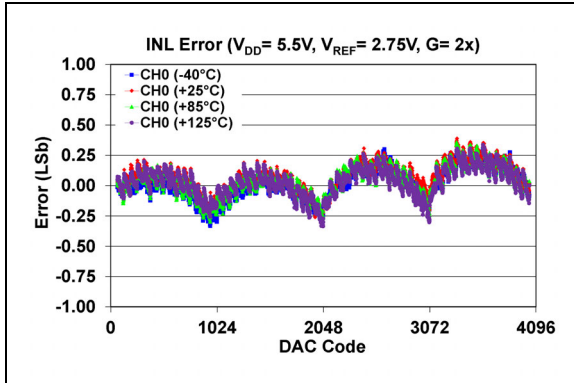


FIGURE 2-32: INL Error vs. DAC Code and Temperature (Single-Channel - MCP48CXB21), $V_{REF} = 0.5 \times V_{DD} = 2.75\text{V}$, Gain = 2X.

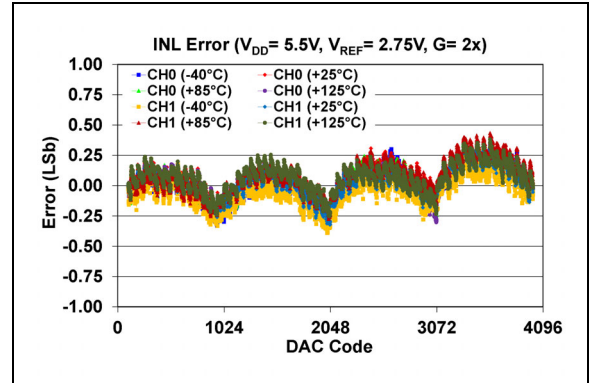


FIGURE 2-34: INL Error vs. DAC Code and Temperature (Dual-Channel - MCP48CXB22), $V_{REF} = 0.5 \times V_{DD} = 2.75\text{V}$, Gain = 2X.

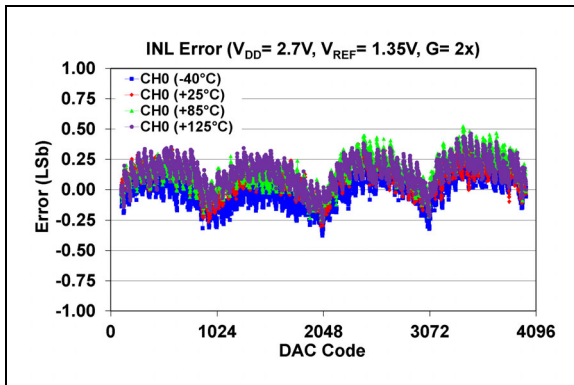


FIGURE 2-33: INL Error vs. DAC Code and Temperature (Single-Channel - MCP48CXB21), $V_{REF} = 0.5 \times V_{DD} = 1.35\text{V}$, Gain = 2X.

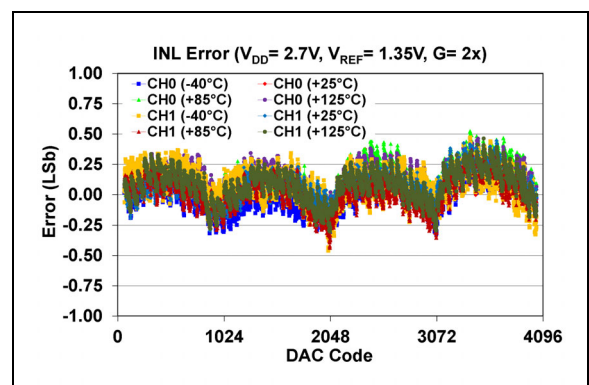


FIGURE 2-35: INL Error vs. DAC Code and Temperature (Dual-Channel - MCP48CXB22), $V_{REF} = 0.5 \times V_{DD} = 1.35\text{V}$, Gain = 2X.

MCP48CXBXX

2.2.6 DIFFERENTIAL NONLINEARITY ERROR (DNL) - MCP48CXB2X (12-BIT), EXTERNAL $V_{REF} = 0.5 V_{DD}$ (VRXB:VRXA = '10'), UNBUFFERED, CODE 64 - 4032

Note: Unless otherwise indicated, $T_A = +25^\circ\text{C}$, $V_{DD} = 5.5\text{V}$.

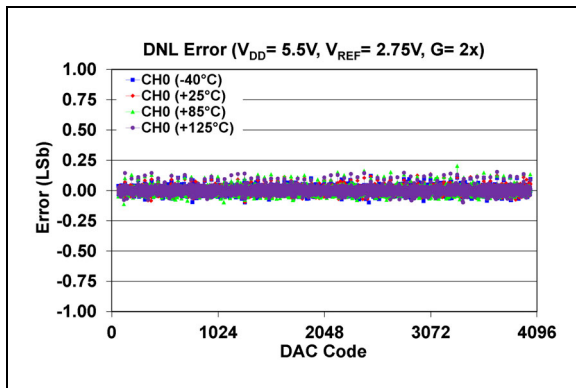


FIGURE 2-36: DNL Error vs. DAC Code and Temperature (Single-Channel - MCP48CXB21), $V_{DD} = 5.5\text{V}$, $V_{REF} = 0.5 \times V_{DD} = 2.75\text{V}$.

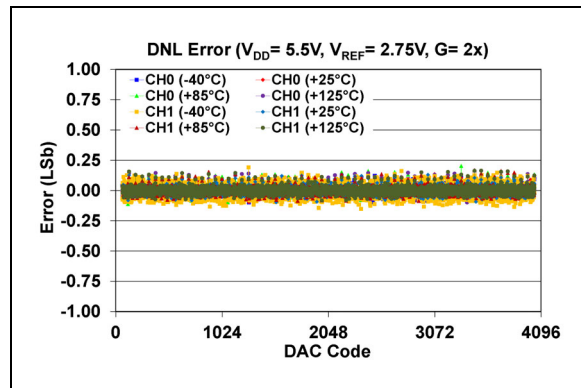


FIGURE 2-38: DNL Error vs. DAC Code and Temperature (Dual-Channel - MCP48CXB22), $V_{DD} = 5.5\text{V}$, $V_{REF} = 0.5 \times V_{DD} = 2.75\text{V}$.

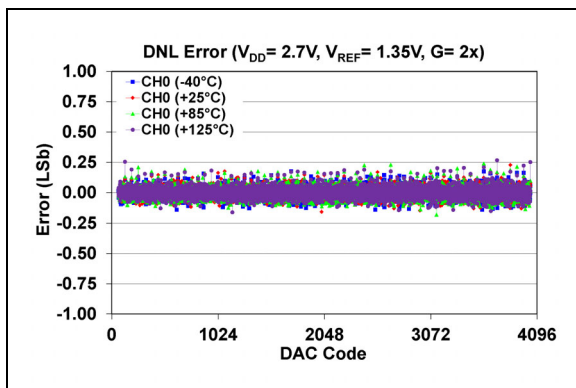


FIGURE 2-37: DNL Error vs. DAC Code and Temperature (Single-Channel - MCP48CXB21), $V_{DD} = 5.5\text{V}$, $V_{REF} = 0.5 \times V_{DD} = 1.35\text{V}$.

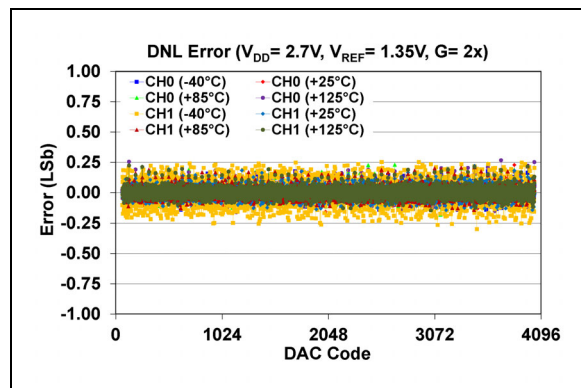


FIGURE 2-39: DNL Error vs. DAC Code and Temperature (Dual-Channel - MCP48CXB22), $V_{DD} = 5.5\text{V}$, $V_{REF} = 0.5 \times V_{DD} = 1.35\text{V}$.

2.2.7 TOTAL UNADJUSTED ERROR (TUE) - MCP48CXB2X (12-BIT), V_{REF} = INTERNAL BAND GAP (VRXB:VRXA = '01'), CODE 64 - 4032

Note: Unless otherwise indicated, $T_A = +25^\circ\text{C}$, $V_{DD} = 5.5\text{V}$.

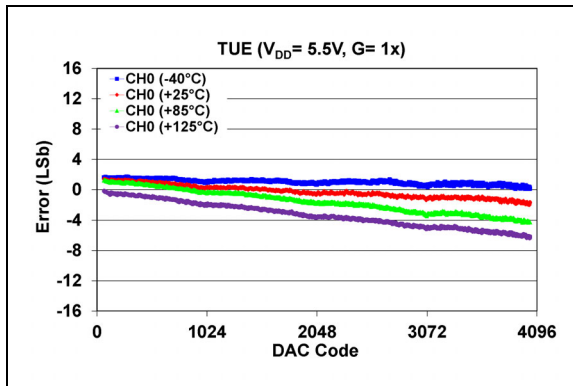


FIGURE 2-40: Total Unadjusted Error (V_{OUT}) vs. DAC Code and Temperature (Single-Channel - MCP48CXB21), $V_{DD} = 5.5\text{V}$, Gain = 1X.

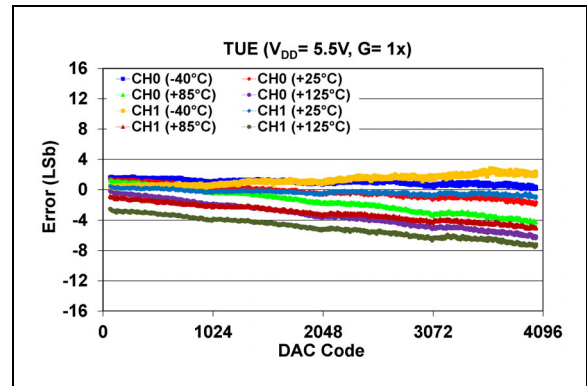


FIGURE 2-43: Total Unadjusted Error (V_{OUT}) vs. DAC Code and Temperature (Dual-Channel - MCP48CXB22), $V_{DD} = 5.5\text{V}$, Gain = 1X.

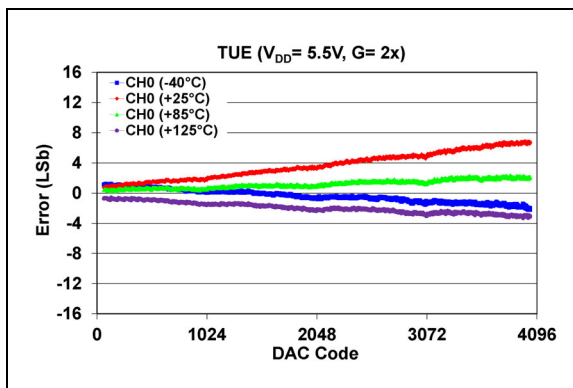


FIGURE 2-41: Total Unadjusted Error (V_{OUT}) vs. DAC Code and Temperature (Single-Channel - MCP48CXB21), $V_{DD} = 5.5\text{V}$, Gain = 2X.

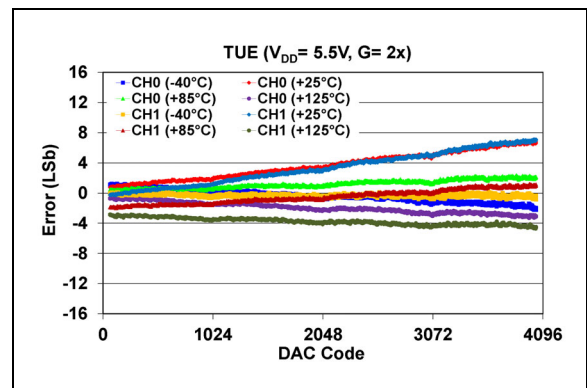


FIGURE 2-44: Total Unadjusted Error (V_{OUT}) vs. DAC Code and Temperature (Dual-Channel - MCP48CXB22), $V_{DD} = 5.5\text{V}$, Gain = 2X.

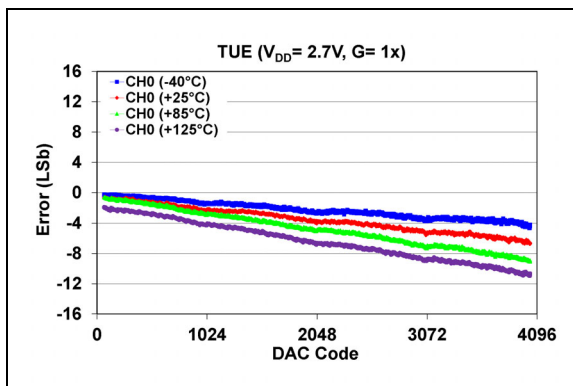


FIGURE 2-42: Total Unadjusted Error (V_{OUT}) vs. DAC Code and Temperature (Single-Channel - MCP48CXB21), $V_{DD} = 2.7\text{V}$, Gain = 1X.

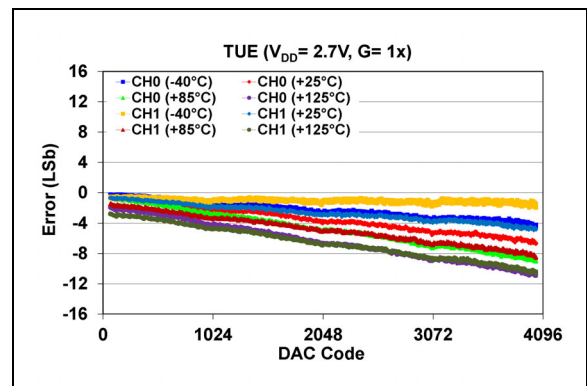


FIGURE 2-45: Total Unadjusted Error (V_{OUT}) vs. DAC Code and Temperature (Dual-Channel - MCP48CXB22), $V_{DD} = 2.7\text{V}$, Gain = 1X.

MCP48CXBXX

Note: Unless otherwise indicated, $T_A = +25^\circ\text{C}$, $V_{DD} = 5.5\text{V}$.

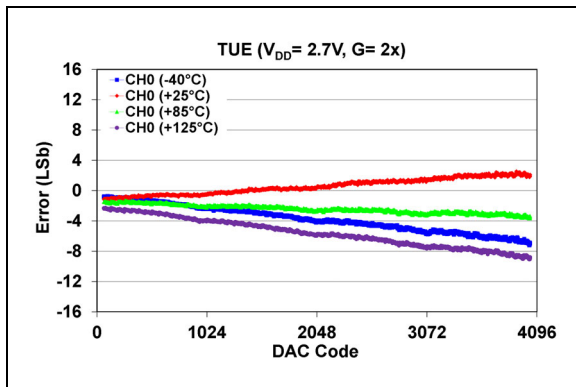


FIGURE 2-46: Total Unadjusted Error (V_{OUT}) vs. DAC Code and Temperature (Single-Channel - MCP48CXB21), $V_{DD} = 2.7\text{V}$, Gain = 2X.

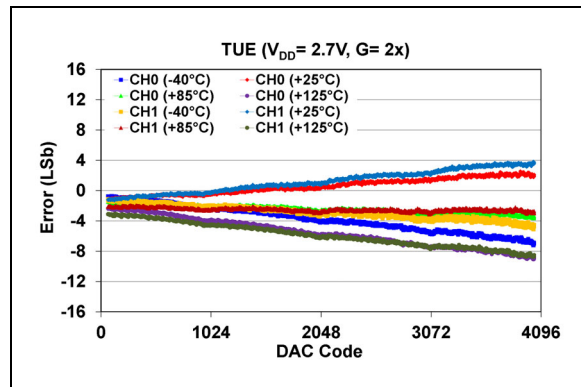


FIGURE 2-49: Total Unadjusted Error (V_{OUT}) vs. DAC Code and Temperature (Dual-Channel - MCP48CXB22), $V_{DD} = 2.7\text{V}$, Gain = 2X.

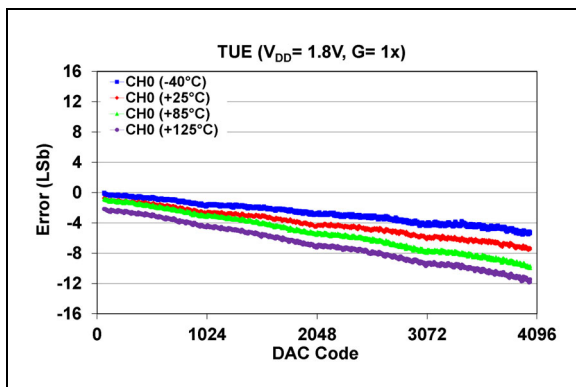


FIGURE 2-47: Total Unadjusted Error (V_{OUT}) vs. DAC Code and Temperature (Single-Channel - MCP48CXB21), $V_{DD} = 1.8\text{V}$, Gain = 1X.

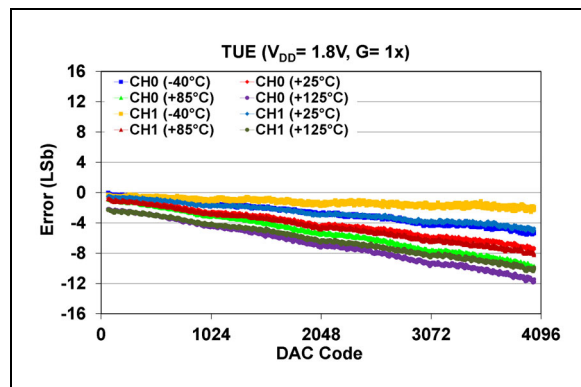


FIGURE 2-50: Total Unadjusted Error (V_{OUT}) vs. DAC Code and Temperature (Dual-Channel - MCP48CXB22), $V_{DD} = 1.8\text{V}$, Gain = 1X.

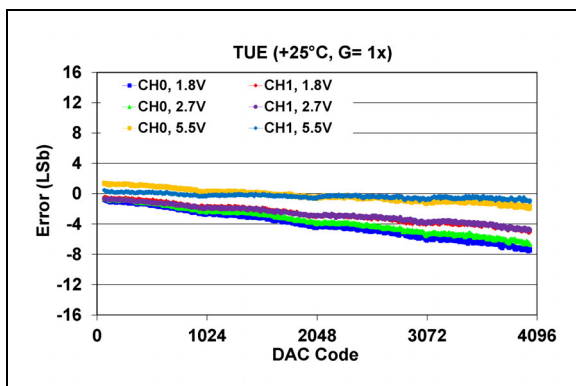


FIGURE 2-48: Total Unadjusted Error (V_{OUT}) vs. DAC Code, $+25^\circ\text{C}$, Gain = 1X.

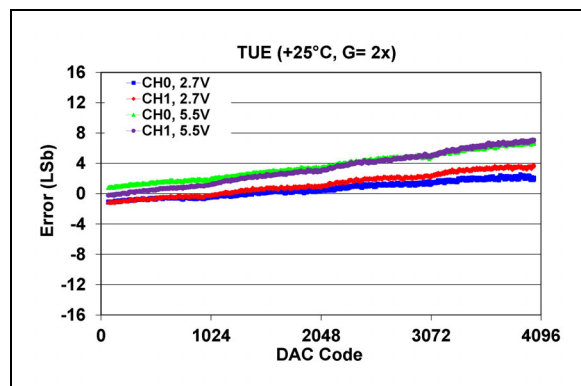


FIGURE 2-51: Total Unadjusted Error (V_{OUT}) vs. DAC Code, $+25^\circ\text{C}$, Gain = 2X.

Note: Unless otherwise indicated, $T_A = +25^\circ\text{C}$, $V_{DD} = 5.5\text{V}$.

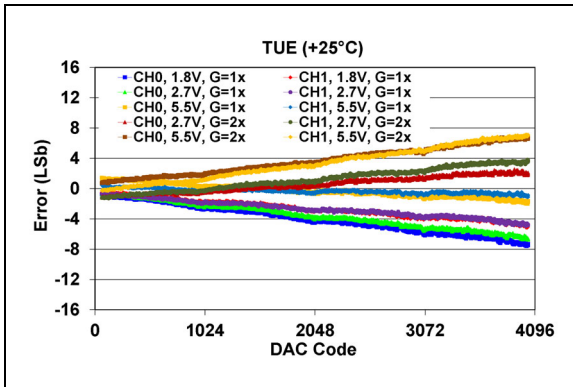


FIGURE 2-52: Total Unadjusted Error (V_{OUT}) vs. DAC Code, $+25^\circ\text{C}$, Gain = 1X and 2X.

MCP48CXBXX

2.2.8 INTEGRAL NONLINEARITY ERROR (INL) - MCP48CXB2X (12-BIT), V_{REF} = INTERNAL BAND GAP (VRXB:VRXA = '01'), CODE 64-4032

Note: Unless otherwise indicated, T_A = +25°C, V_{DD} = 5.5V.

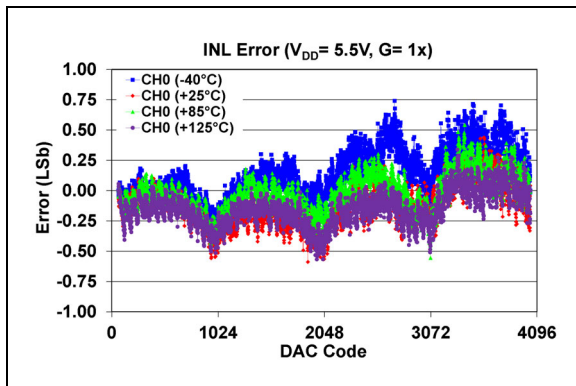


FIGURE 2-53: INL Error vs. DAC Code and Temperature (Single-Channel - MCP48CXB21), V_{DD} = 5.5V, Gain = 1X.

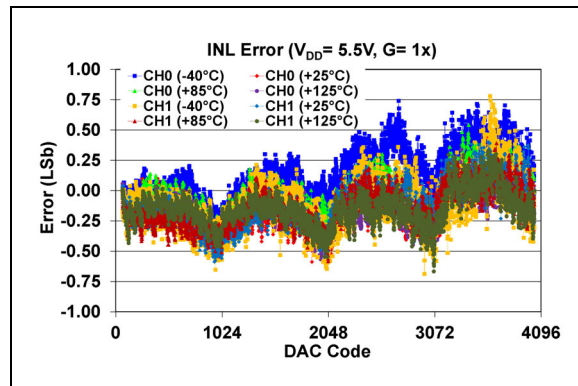


FIGURE 2-56: INL Error vs. DAC Code and Temperature (Dual-Channel - MCP48CXB22), V_{DD} = 5.5V, Gain = 1X.

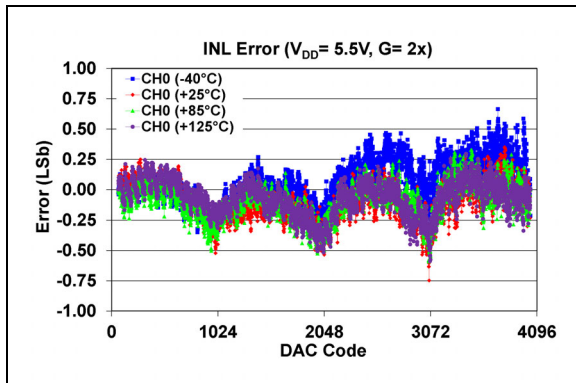


FIGURE 2-54: INL Error vs. DAC Code and Temperature (Single-Channel - MCP48CXB21), V_{DD} = 5.5V, Gain = 2X.

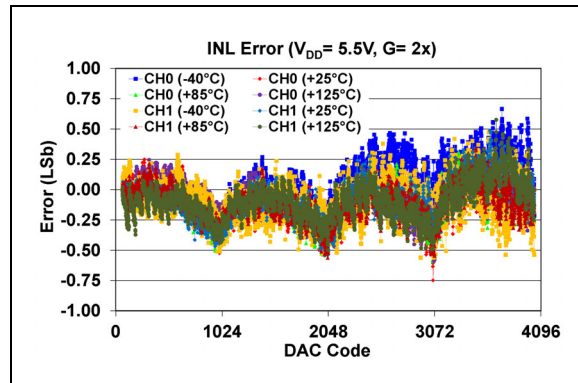


FIGURE 2-57: INL Error vs. DAC Code and Temperature (Dual-Channel - MCP48CXB22), V_{DD} = 5.5V, Gain = 2X.

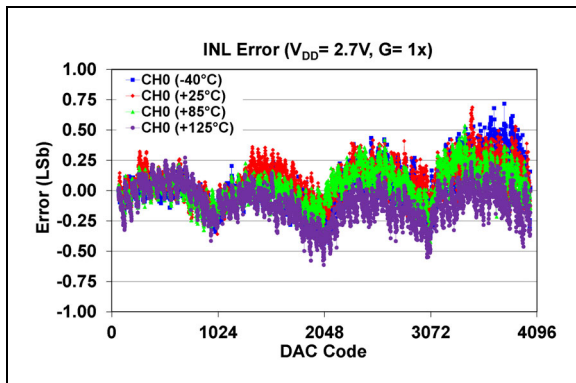


FIGURE 2-55: INL Error vs. DAC Code and Temperature (Single-Channel - MCP48CXB21), V_{DD} = 2.7V, Gain = 1X.

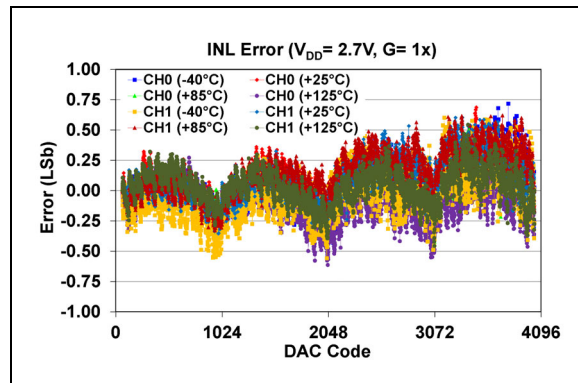


FIGURE 2-58: INL Error vs. DAC Code and Temperature (Dual-Channel - MCP48CXB22), V_{DD} = 2.7V, Gain = 1X.

Note: Unless otherwise indicated, $T_A = +25^\circ\text{C}$, $V_{DD} = 5.5\text{V}$.

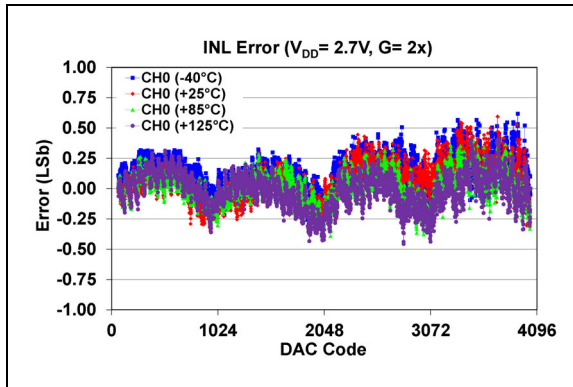


FIGURE 2-59: INL Error vs. DAC Code and Temperature (Single-Channel - MCP48CXB21), $V_{DD} = 2.7\text{V}$, Gain = 2X.

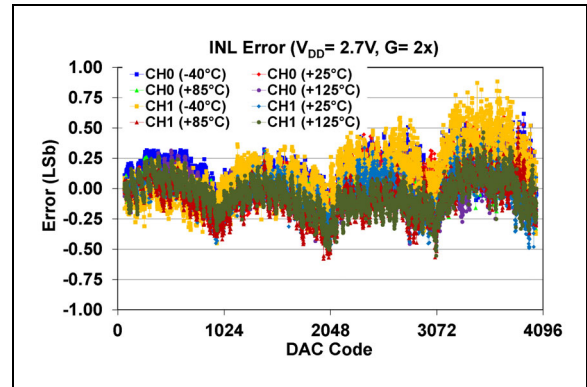


FIGURE 2-62: INL Error vs. DAC Code and Temperature (Dual-Channel - MCP48CXB22), $V_{DD} = 2.7\text{V}$, Gain = 2X.

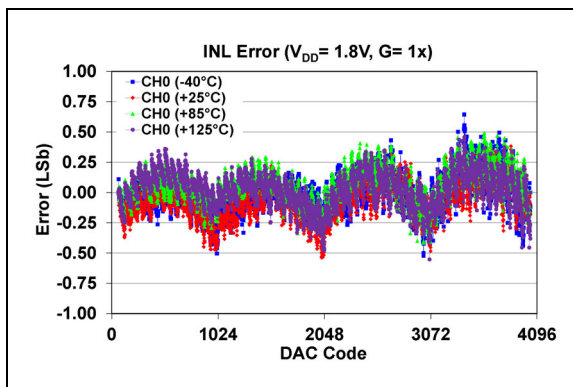


FIGURE 2-60: INL Error vs. DAC Code and Temperature (Single-Channel - MCP48CXB21), $V_{DD} = 1.8\text{V}$, Gain = 1X.

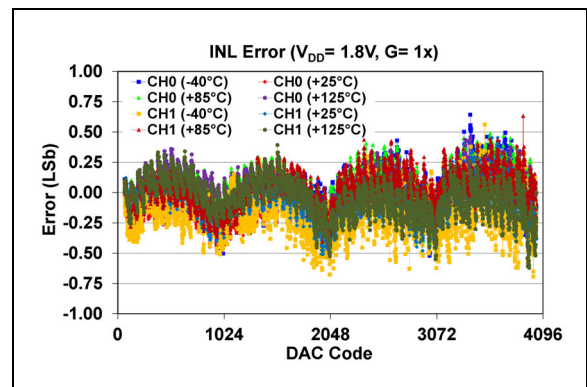


FIGURE 2-63: INL Error vs. DAC Code and Temperature (Dual-Channel - MCP48CXB22), $V_{DD} = 1.8\text{V}$, Gain = 1X.

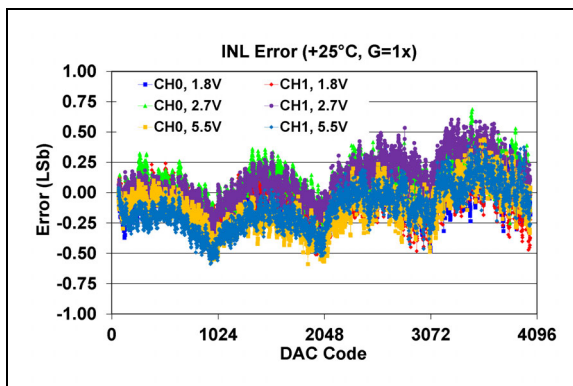


FIGURE 2-61: INL Error vs. DAC Code, $+25^\circ\text{C}$, Gain = 1X.

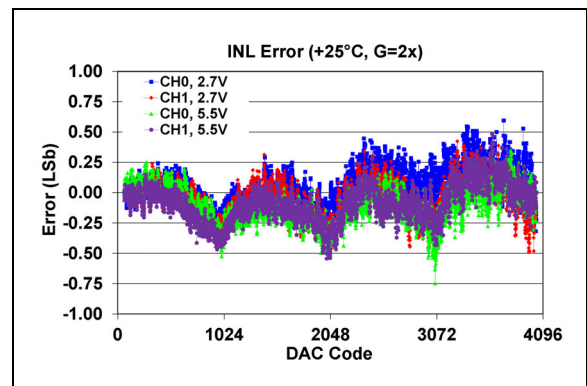


FIGURE 2-64: INL Error vs. DAC Code, $+25^\circ\text{C}$, Gain = 2X.

MCP48CXBXX

Note: Unless otherwise indicated, $T_A = +25^\circ\text{C}$, $V_{DD} = 5.5\text{V}$.

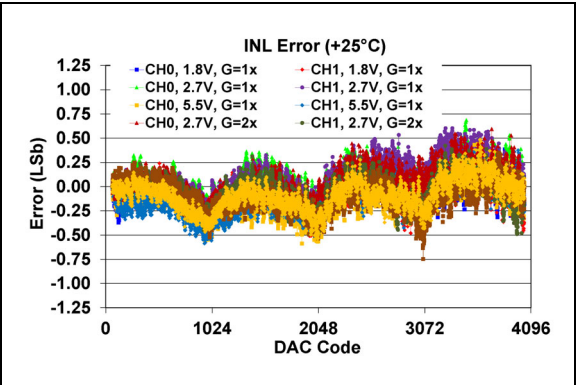


FIGURE 2-65: INL Error vs. DAC Code, +25°C, Gain = 1X and 2X.

2.2.9 DIFFERENTIAL NONLINEARITY ERROR (DNL) - MCP48CXB2X (12-BIT), V_{REF} = INTERNAL BAND GAP (VRXB:VRXA = '01'), CODE 64-4032

Note: Unless otherwise indicated, T_A = +25°C, V_{DD} = 5.5V.

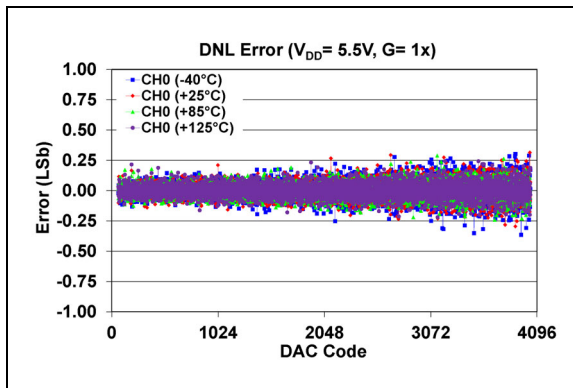


FIGURE 2-66: DNL Error vs. DAC Code and Temperature (Single-Channel - MCP48CXB21), V_{DD} = 5.5V, Gain = 1X.

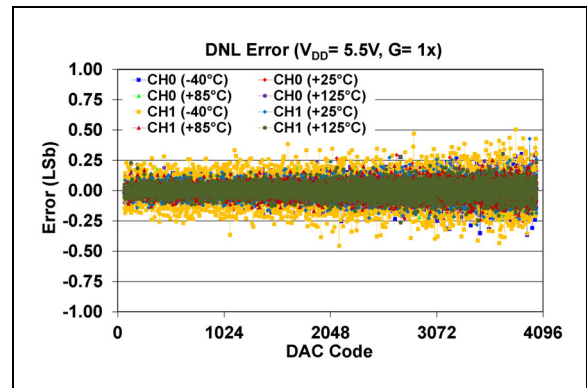


FIGURE 2-69: DNL Error vs. DAC Code and Temperature (Dual-Channel - MCP48CXB22), V_{DD} = 5.5V, Gain = 1X.

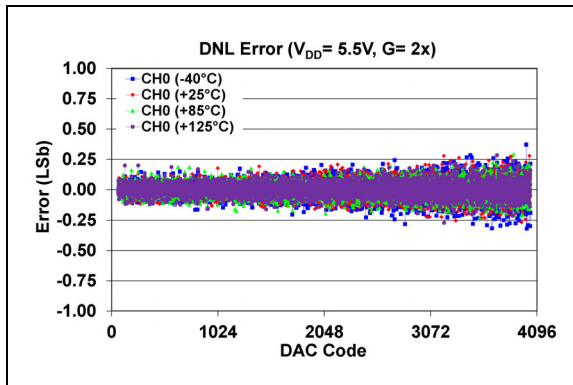


FIGURE 2-67: DNL Error vs. DAC Code and Temperature (Single-Channel - MCP48CXB21), V_{DD} = 5.5V, Gain = 2X.

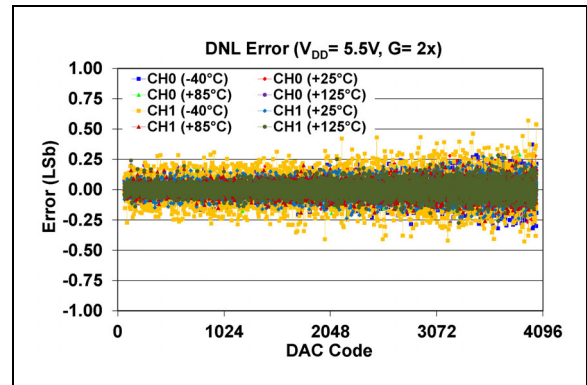


FIGURE 2-70: DNL Error vs. DAC Code and Temperature (Dual-Channel - MCP48CXB22), V_{DD} = 5.5V, Gain = 2X.

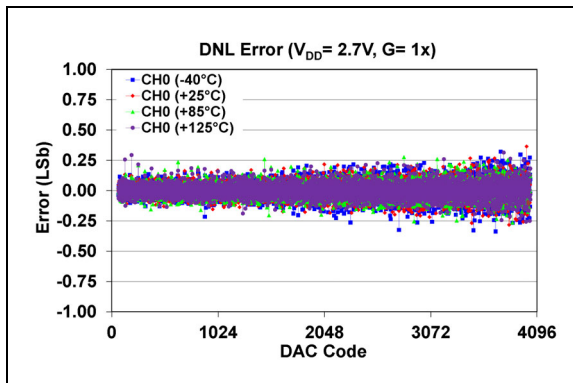


FIGURE 2-68: DNL Error vs. DAC Code and Temperature (Single-Channel - MCP48CXB21), V_{DD} = 2.7V, Gain = 1X.

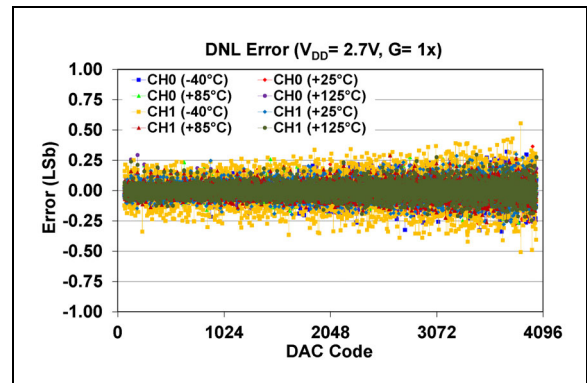


FIGURE 2-71: DNL Error vs. DAC Code and Temperature (Dual-Channel - MCP48CXB22), V_{DD} = 2.7V, Gain = 1X.

MCP48CXBXX

Note: Unless otherwise indicated, $T_A = +25^\circ\text{C}$, $V_{DD} = 5.5\text{V}$.

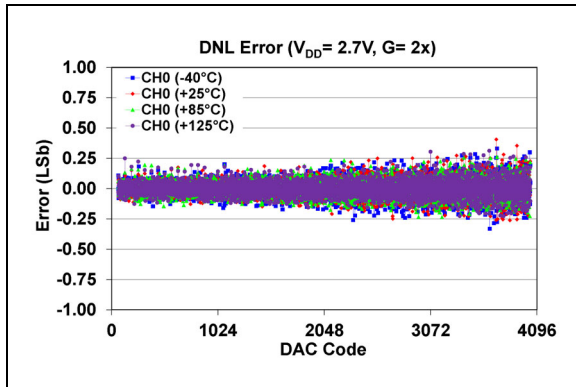


FIGURE 2-72: DNL Error vs. DAC Code and Temperature (Single-Channel - MCP48CXB21), $V_{DD} = 2.7\text{V}$, Gain = 2X.

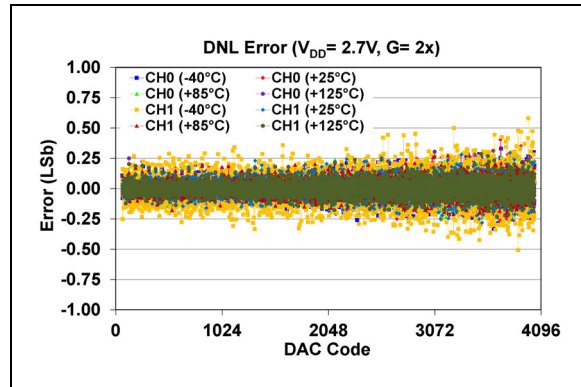


FIGURE 2-75: DNL Error vs. DAC Code and Temperature (Dual-Channel - MCP48CXB22), $V_{DD} = 2.7\text{V}$, Gain = 2X.

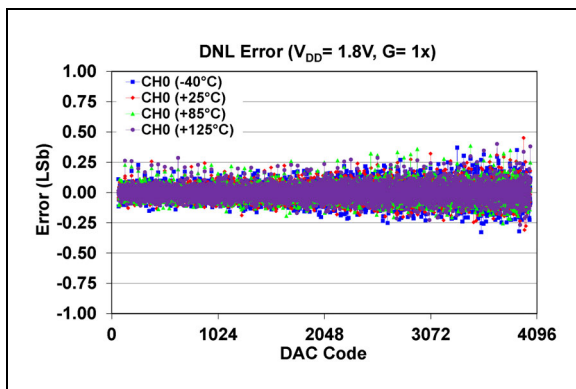


FIGURE 2-73: DNL Error vs. DAC Code and Temperature (Single-Channel - MCP48CXB21), $V_{DD} = 1.8\text{V}$, Gain = 1X.

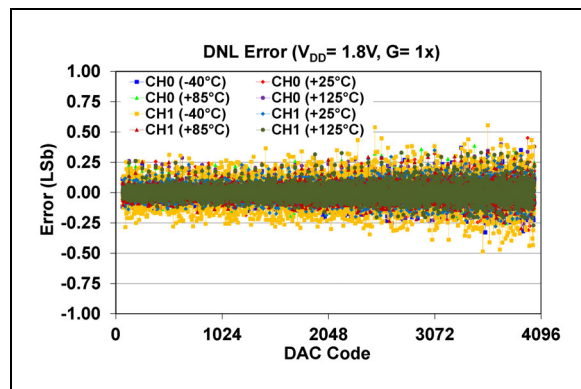


FIGURE 2-76: DNL Error vs. DAC Code and Temperature (Dual-Channel - MCP48CXB22), $V_{DD} = 1.8\text{V}$, Gain = 1X.

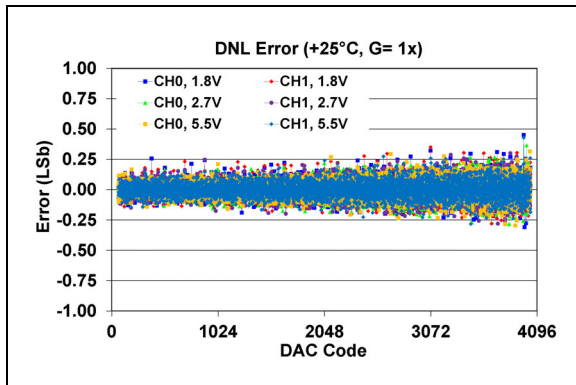


FIGURE 2-74: DNL Error vs. DAC Code, $+25^\circ\text{C}$, Gain = 1X.

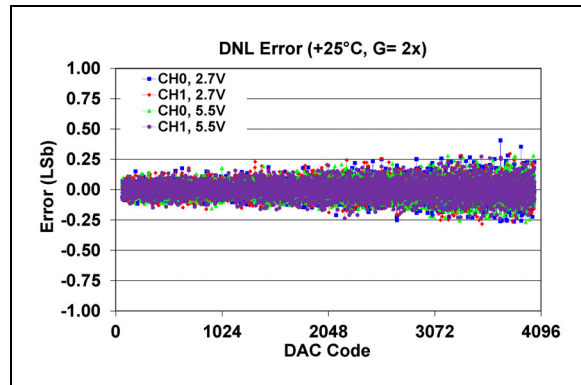


FIGURE 2-77: DNL Error vs. DAC Code, $+25^\circ\text{C}$, Gain = 2X.

Note: Unless otherwise indicated, $T_A = +25^\circ\text{C}$, $V_{DD} = 5.5\text{V}$.

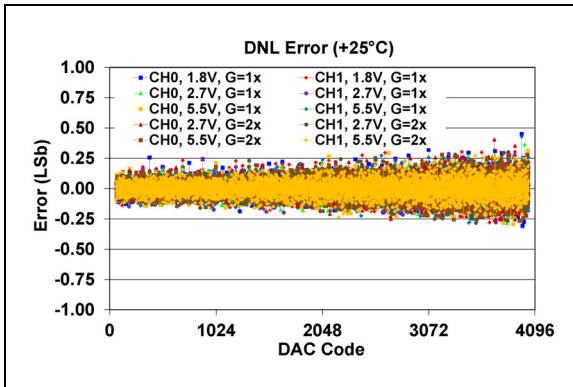


FIGURE 2-78: DNL Error vs. DAC Code, +25°C, Gain = 1X and 2X.

MCP48CXBXX

NOTES:

3.0 PIN DESCRIPTIONS

Overviews of the pin functions are provided from [Section 3.1](#) to [Section 3.10](#).

The descriptions of the pins for the single-DAC output device are listed in [Table 3-1](#), and descriptions for the dual-DAC output device are listed in [Table 3-2](#).

TABLE 3-1: MCP48CXBX1 (SINGLE-DAC) PIN FUNCTION TABLE

Pin			Symbol	I/O	Buffer Type	Description
MSOP 10L	DFN 10L	QFN 16L				
1	1	16	V_{DD}	—	P	Supply Voltage
2	2	1	\overline{CS}	I	ST	SPI Chip Select
3	3	2	V_{REF}	A	Analog	Voltage Reference Input/Output
4	4	3	V_{OUT}	A	Analog	Buffered Analog Voltage Output
5	5	4,5,6,7,8,14,15	NC	—	—	Not Internally Connected
6	6	9	\overline{LAT}/HVC	I	ST	DAC Wiper Register Latch/High-Voltage Command Pin The Latch Pin allows the value in the volatile DAC registers (wiper and configuration bits) to be transferred to the DAC output (V_{OUT}). High-Voltage commands allow the User MTP configuration bits to be written.
7	7	10	V_{SS}	—	P	Ground Reference for all circuitries on the device
8	8	11	SDO	O	ST	SPI Serial Data Output
9	9	12	SCK	I	ST	SPI Serial Clock
10	10	13	SDI	I	ST	SPI Serial Data Input
—	—	17	EP	—	P	Exposed Thermal Pad, must be connected to V_{SS}

Note 1: A = Analog, I = Input, ST = Schmitt Trigger, O = Output, I/O = Input/Output, P = Power

MCP48CXBXX

TABLE 3-2: MCP48CXB2 (DUAL-DAC) PIN FUNCTION TABLE

Pin			Symbol	I/O	Buffer Type	Description
MSOP 10L	DFN 10L	QFN 16L				
1	1	16	V_{DD}	—	P	Supply Voltage
2	2	1	\overline{CS}	I	ST	SPI Chip Select
3	3	—	V_{REF}	A	Analog	Voltage Reference Input/Output
—	—	2	V_{REF0}	A	Analog	Voltage Reference Input/Output for DAC0
—	—	4	V_{REF1}	A	Analog	Voltage Reference Input/Output for DAC1
4	4	3	V_{OUT0}	A	Analog	Buffered Analog Voltage Output 0
5	5	5	V_{OUT1}	A	Analog	Buffered Analog Voltage Output 1
—	—	6,7,14,15	NC	—	—	Not Internally Connected
6	6	—	\overline{LAT}/HVC	I	ST	DAC Wiper Register Latch/High-Voltage Command Pin. The Latch Pin allows the value in the volatile DAC registers (wiper and configuration bits) to be transferred to the DAC output (V_{OUT}). High-Voltage commands allow the User MTP configuration bits to be written.
—	—	9	$\overline{LAT0}/HVC$	I	ST	DAC0 Wiper Register Latch/High-Voltage Command Pin. The Latch Pin allows the value in the volatile DAC0 registers (wiper and configuration bits) to be transferred to the DAC0 output (V_{OUT0}). High-Voltage commands allow the User MTP configuration bits to be written.
—	—	8	$LAT1$	I	ST	DAC1 Wiper Register Latch. The Latch Pin allows the value in the volatile DAC1 registers (wiper and configuration bits) to be transferred to the DAC1 output (V_{OUT1}).
7	7	10	V_{SS}	—	P	Ground Reference for all circuitries on the device
8	8	11	SDO	O	ST	SPI Serial Data Output
9	9	12	SCK	I	ST	SPI Serial Clock
10	10	13	SDI	I	ST	SPI Serial Data Input
—	—	17	EP	—	P	Exposed Thermal Pad, must be connected to V_{SS}

Note 1: A = Analog, I = Input, ST = Schmitt Trigger, O = Output, I/O = Input/Output, P = Power

3.1 Positive Power Supply Input (V_{DD})

V_{DD} is the positive supply voltage input pin. The input supply voltage is relative to V_{SS} .

The power supply at the V_{DD} pin should be as clean as possible for good DAC performance. It is recommended to use an appropriate bypass capacitor of about 0.1 μF (ceramic) to ground as close as possible to the pin. An additional 10 μF capacitor (tantalum) in parallel is also recommended to further attenuate noise present in application boards.

3.2 Ground (V_{SS})

The V_{SS} pin is the device ground reference.

The user must connect the V_{SS} pin to a ground plane through a low-impedance connection. If an analog ground path is available in the application PCB (Printed Circuit Board), it is highly recommended that the V_{SS} pin be tied to the analog ground path or isolated within an analog ground plane of the circuit board.

3.3 Voltage Reference Pin (V_{REF})

The V_{REF} pin is either an input or an output. When the DAC's voltage reference is configured as the V_{REF} pin, the pin is an input. When the DAC's voltage reference is configured as the internal band gap, the pin is an output.

When the DAC's voltage reference is configured as the V_{REF} pin, there are two options for this voltage input: V_{REF} pin voltage is buffered or unbuffered. The buffered option is offered in cases where the external reference voltage does not have sufficient current capability to not drop its voltage when connected to the internal resistor ladder circuit.

When the DAC's voltage reference is configured as the device V_{DD} , the V_{REF} pin is disconnected from the internal circuit.

When the DAC's voltage reference is configured as the internal band gap, the V_{REF} pin's drive capability is minimal, so the output signal should be buffered.

See [Section 5.2 "Voltage Reference Selection"](#) and [Register 4-2](#) for more details on the configuration bits.

3.4 No Connect (NC)

The NC pin is not internally connected to the device.

3.5 Analog Output Voltage Pins (V_{OUT0} , V_{OUT1})

V_{OUT0} and V_{OUT1} are the DAC analog voltage output pins. Each DAC output has an output amplifier. The DAC output range depends on the selection of the voltage reference source (and potential Output Gain selection). These are:

- Device V_{DD} - The full-scale range of the DAC output is from V_{SS} to approximately V_{DD} .
- V_{REF} pin - The full-scale range of the DAC output is from V_{SS} to $G \times V_{RL}$, where G is the gain selection option (1X or 2X).
- Internal Band Gap - The full-scale range of the DAC output is from V_{SS} to $G \times V_{BG}$, where G is the gain selection option (1X or 2X).

In Normal mode, the DC impedance of the output pin is about 1Ω . In Power-Down mode, the output pin is internally connected to a known pull-down resistor of 1 $\text{k}\Omega$, 100 $\text{k}\Omega$, or open. The Power-Down selection bits settings are shown in [Register 4-3 \(Table 5-5\)](#).

3.6 Latch/High-Voltage Command Pin (LAT/HVC)

The DAC output value update event can be controlled and synchronized using the $\overline{\text{LAT}}$ pin, for one or both channels, on a single or different devices.

The $\overline{\text{LAT}}$ pin controls the effect of the volatile wiper registers, VRxB:VRxA , PDxB:PDxA and Gx bits on the DAC output.

If the $\overline{\text{LAT}}$ pin is held at V_{IH} , the values sent to the volatile wiper registers and configuration bits have no effect on the DAC outputs.

Once voltage on the pin transitions to V_{IL} , the values in the volatile wiper registers and configuration bits are transferred to the DAC outputs.

The pin is level-sensitive, so writing to the volatile wiper registers and configuration bits, while it is being held at V_{IL} , will trigger an immediate change in the outputs.

For dual output devices in MSOP and DFN packages, the $\overline{\text{LAT}}$ pin controls both channels at the same time.

The HVC pin allows the device's MTP memory to be programmed for the MCP48CMBXX devices. The programming voltage supply should provide 7.5V and at least 6.4 mA.

Note: The HVC pin should have voltages greater than 5.5V present only during the MTP programming operation. Using voltages greater than 5.5V for an extended time on the pin may cause device reliability issues.

MCP48CXBXX

3.7 SPI - Chip Select Pin ($\overline{\text{CS}}$)

The $\overline{\text{CS}}$ pin enables/disables the serial interface (SDI, SDO, and SCK). The serial interface must be enabled for the device to receive any serial commands.

Refer to [Section 6.4 “Interface Pins \(CS, SCK, SDI, SDO, and LAT/HVC\)”](#) for more details regarding the SPI serial interface communication.

3.8 SPI - Serial Clock Pin (SCK)

The SCK pin is the serial clock pin of the SPI interface. The MCP48CXBXX SPI Interface only accepts external serial clocks.

3.9 SPI - Serial Data In Pin (SDI)

The SDI pin is the serial data input pin of the SPI interface. The SDI pin is used to write the DAC wiper registers and configuration bits.

3.10 SPI - Serial Data Out Pin (SDO)

The SDO pin is the serial data output pin of the SPI interface. The SDO pin is used to read the DAC wiper registers and configuration bits.

4.0 GENERAL DESCRIPTION

The MCP48CXB1 devices are single-channel voltage output devices.

The MCP48CXB2 devices are dual-channel voltage output devices.

These devices are offered with 8-bit (MCP48CXB0X), 10-bit (MCP48CXB1X) and 12-bit (MCP48CXB2X) resolutions.

The family offers two memory options: the MCP48CVBXX devices have a volatile memory, while the MCP48CMBXX have a 32-times programmable nonvolatile memory (MTP).

All devices include an SPI serial interface and a write latch ($\overline{\text{LAT}}$) pin to control the update of the analog output voltage value from the value written in the volatile DAC output register.

The devices use a resistor ladder architecture. The resistor ladder DAC is driven from a software-selectable voltage reference source. The source can be either the device's internal V_{DD} , an external V_{REF} pin voltage (buffered or unbuffered) or an internal band gap voltage source.

The DAC output is buffered with a low power and precision output amplifier. This output amplifier provides a rail-to-rail output with low offset voltage and low noise. The gain (1X or 2X) of the output buffer is software configurable.

The devices operate from a single supply voltage. This voltage is specified from 2.7V to 5.5V for full specified operation, and from 1.8V to 5.5V for digital operation. The device operates between 1.8V and 2.7V, but some device parameters are not specified.

The MCP48CMBXX devices also have user-programmable nonvolatile configuration memory (MTP). This allows the device's desired POR values to be saved. The device also has general purpose MTP memory locations for storing system specific information (calibration data, serial numbers, system ID information). A high-voltage requirement for programming the nonvolatile locations on the HVC pin ensures that these device settings are not accidentally modified during normal system operation. Therefore, it is recommended that the MTP memory should be only programmed at the user's factory.

The main functional blocks are:

- [Power-on Reset/Brown-out Reset \(POR/BOR\)](#)
- [Device Memory](#)
- [Resistor Ladder](#)
- [Output Buffer/ \$V_{OUT}\$ Operation](#)
- [SPI Serial Interface Module](#)

4.1 Power-on Reset/Brown-out Reset (POR/BOR)

The internal Power-on Reset (POR)/Brown-out Reset (BOR) circuit monitors the power supply voltage (V_{DD}) during operation. This circuit ensures correct device start-up at system power-up and power-down events.

The device's RAM retention voltage (V_{RAM}) is lower than the POR/BOR voltage trip point (V_{POR}/V_{BOR}). The maximum V_{POR}/V_{BOR} voltage is less than 1.8V.

The POR and BOR trip points are at the same voltage, and the condition is determined by whether the V_{DD} voltage is rising or falling (see [Figure 4-1](#)). What occurs is different depending on whether the reset is a POR or BOR reset.

POR occurs as the voltage rises (typically from 0V), while BOR occurs as the voltage falls (typically from $V_{DD(MIN)}$ or higher).

When $V_{POR}/V_{BOR} < V_{DD} < 2.7V$, the electrical performance may not meet the data sheet specifications. In this region, the device is capable of reading and writing to its volatile memory if the proper serial command is executed.

4.1.1 POWER-ON RESET

The Power-on Reset is the case where the device's V_{DD} has power applied to it from the V_{SS} voltage level. As the device powers-up, the V_{OUT} pin floats to an unknown value. When the device's V_{DD} is above the transistor threshold voltage of the device, the output starts to be pulled low.

After the V_{DD} is above the POR/BOR trip point (V_{BOR}/V_{POR}), the resistor network's wiper is loaded with the POR value. The POR value is either mid-scale (MCP48CVBXX) or the user's MTP programmed value (MCP48CMBXX).

Note: In order to have the MCP48CMBXX devices load the values from nonvolatile memory locations at POR, they have to be programmed at least once by the user; otherwise, the loaded values will be the default ones. After MTP programming, a POR event is required to load the written values from the nonvolatile memory.

Volatile memory determines the analog output (V_{OUT}) pin voltage. After the device is powered-up, the user can update the device memory.

MCP48CXBXX

When the rising V_{DD} voltage crosses the V_{POR} trip point, the following occurs:

- The default DAC POR value is latched into the volatile DAC register.
- The default DAC POR Configuration bit values are latched into the volatile configuration bits.
- POR Status bit is set ('1').
- The Reset Delay Timer ($t_{POR\Delta}$) starts; when the reset delay timer ($t_{POR\Delta}$) times out, the SPI serial interface is operational. During this delay time, the SPI interface will not accept commands.
- The Device Memory Address pointer is forced to 00h.

The analog output (V_{OUT}) state is determined by the state of the volatile configuration bits and the DAC register. This is called a Power-on Reset (event).

Figure 4-1 illustrates the conditions for power-up and power-down events under typical conditions.

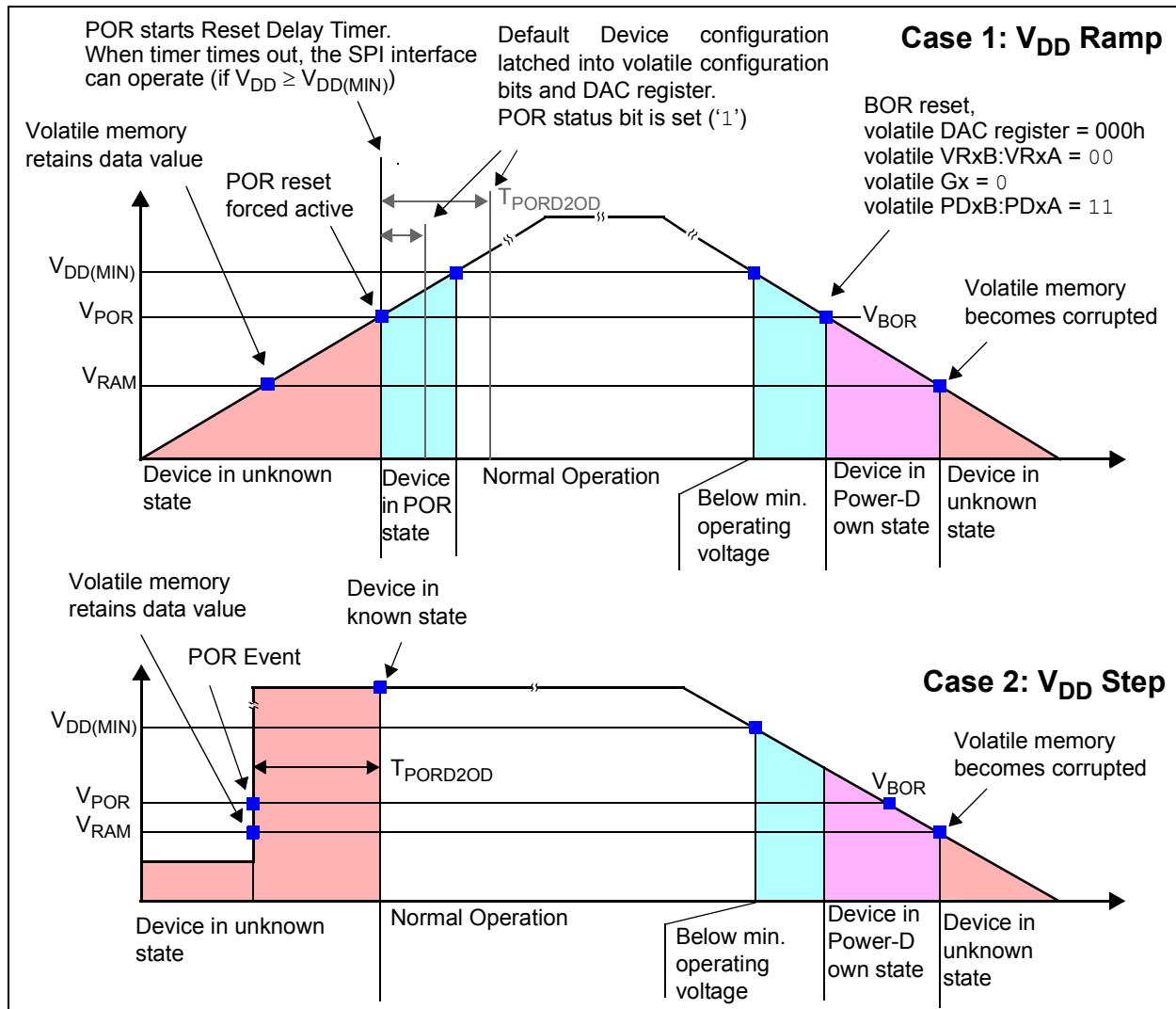


FIGURE 4-1: Power-on Reset Operation.

4.1.2 BROWN-OUT RESET

A Brown-out Reset occurs when a device had power applied to it and that power (voltage) drops below the specified range.

When the falling V_{DD} voltage crosses the V_{POR} trip point (BOR event), the following occurs:

- Serial Interface is disabled.
- MTP Writes are disabled.
- Device is forced into a Power-Down state (PDXB:PDxA = '11'). Analog circuitry is turned off.
- Volatile DAC register is forced to 000h.

Volatile configuration bits VRxB:VRxA and GX are forced to '0'.

If the V_{DD} voltage decreases below the V_{RAM} voltage, all volatile memory may become corrupted.

As the voltage recovers above the V_{POR}/V_{BOR} voltage, see [Section 4.1.1 “Power-on Reset”](#) for further details.

Serial commands not completed due to a brown-out condition may cause the memory location to become corrupted.

[Figure 4-1](#) illustrates the conditions for power-up and power-down events under typical conditions.

4.2 Device Memory

User memory includes the following types:

- [Volatile Register Memory \(RAM\)](#)
- [Nonvolatile Register Memory \(MTP\)](#)

MTP memory is present just for the MCP48CMBXX devices and has three groupings:

- NV DAC Output Values (loaded on POR event)
- Device Configuration Memory
- General Purpose NV Memory

Each memory location is up to 16 bits wide. The memory mapped register space is shown in [Table 4-1](#).

The SPI interface depends on how this memory is read and written. Refer to [Section 6.0 “SPI Serial Interface Module”](#) and [Section 7.0 “Device Commands”](#) for more details on reading and writing the device's memory.

4.2.1 VOLATILE REGISTER MEMORY (RAM)

The MCP48CXBXX devices have volatile memory to directly control the operation of the DACs. There are up to five volatile memory locations:

- DAC0 and DAC1 Output Value registers
- V_{REF} Select register
- Power-Down Configuration register
- Gain and Status register

The volatile memory starts functioning when the device V_{DD} is at (or above) the RAM retention voltage (V_{RAM}). The volatile memory will be loaded with the default device values when the V_{DD} rises across the V_{POR}/V_{BOR} voltage trip point.

After the device is powered-up, the user can update the device memory. [Table 4-2](#) shows the volatile memory locations and their interaction due to a POR event.

4.2.2 NONVOLATILE REGISTER MEMORY (MTP)

This memory option is available only for the MCP48CMBXX devices.

MTP memory starts functioning below the device's V_{POR}/V_{BOR} trip point and, once the V_{POR} event occurs, the volatile memory registers are loaded with the corresponding MTP register memory values.

Memory addresses 0Ch through 1Fh are nonvolatile memory locations. These locations contain the DAC POR/BOR Wiper values, the DAC POR/BOR configuration bits and 8 general purpose memory locations for storing user-defined data as calibration constants or identification numbers.

The nonvolatile wiper registers and configuration bits determine the DAC Output and Configuration values at the POR event.

These nonvolatile values will overwrite the factory default values. If these MTP addresses are unprogrammed, the factory default values define the output state.

The nonvolatile DAC registers enable the standalone operation of the device (without microcontroller control), after being programmed to the desired values.

To program nonvolatile memory locations, a high-voltage source on the \overline{LAT}/HVC pin is required. Each register/MTP location can be programmed 32 times. After 32 writes, a new write operation will not be possible and the last successful value written will remain associated with the memory location.

The device starts writing the MTP memory cells at the completion of the serial interface command. The high voltage should remain present on the \overline{LAT}/HVC pin until the write cycle is complete; otherwise, the write is unsuccessful and the location is compromised (cannot be used again and the number of available writes decreases by one).

To recover from an aborted MTP write operation, the following procedure must be used:

- Write any valid value to the same address again
- Force a POR condition
- Write the desired value to the MTP location again

MCP48CXBXX

It is recommended to keep high voltage on only during the MTP Write command and programming cycle; otherwise, the reliability of the device could be affected.

4.2.3 UNIMPLEMENTED LOCATIONS

4.2.3.1 Unimplemented Register Bits

When issuing Read commands to a valid memory location with unimplemented bits, the unimplemented bits will be read as '0'.

4.2.4 UNIMPLEMENTED (RESERVED) LOCATIONS

There are a number of unimplemented memory locations that are reserved for future use. Normal (Voltage) commands (Read or Write) to any unimplemented memory address will result in a Command Error condition (SPI Command Error -

CMDERR). High-Voltage commands to any unimplemented configuration bit(s) will also result in a Command Error condition.

4.2.5 POR/BOR OPERATION WITH WIPERLOCK TECHNOLOGY ENABLED

Regardless of the WiperLock Technology state, a POR event will load the Volatile DACx Wiper register value with the Nonvolatile DACx Wiper register value. Refer to [Section 4.1 “Power-on Reset/Brown-out Reset \(POR/BOR\)”](#) for further information.

TABLE 4-1: MCP48CXBXX MEMORY MAP (16-BIT)

Address	Function	Single	Dual	Address	Function	Single ⁽¹⁾	Dual ⁽¹⁾
00h	Volatile DAC Wiper Register 0	Y	Y	10h	Nonvolatile DAC Wiper Register 0	Y	Y
01h	Volatile DAC Wiper Register 1	—	Y	11h	Nonvolatile DAC Wiper Register 1	—	Y
02h	Reserved	—	—	12h	Reserved	—	—
03h	Reserved	—	—	13h	Reserved	—	—
04h	Reserved	—	—	14h	Reserved	—	—
05h	Reserved	—	—	15h	Reserved	—	—
06h	Reserved	—	—	16h	Reserved	—	—
07h	Reserved	—	—	17h	Reserved	—	—
08h	Volatile VREF Register	Y	Y	18h	Nonvolatile VREF Register	Y	Y
09h	Volatile Power-Down Register	Y	Y	19h	Nonvolatile Power-Down Register	Y	Y
0Ah	Volatile Gain and Status Register	Y	Y	1Ah	NV Gain	Y	Y
0Bh	Reserved	—	—	1Bh	NV WiperLock™ Technology Register	Y	Y
0Ch	General Purpose MTP	(1)		1Ch	General Purpose MTP	(1)	
0Dh	General Purpose MTP	(1)		1Dh	General Purpose MTP	(1)	
0Eh	General Purpose MTP	(1)		1Eh	General Purpose MTP	(1)	
0Fh	General Purpose MTP	(1)		1Fh	General Purpose MTP	(1)	

Legend:

	Volatile Memory addresses
	MTP Memory addresses
	Memory locations not implemented on this device family

Note 1: On nonvolatile memory devices only (MCP48CMBXX)

TABLE 4-2: FACTORY DEFAULT POR/BOR VALUES (MTP MEMORY UNPROGRAMMED)

Address	Function	POR/BOR Value			Address	Function	POR/BOR Value		
		8-bit	10-bit	12-bit			8-bit	10-bit	12-bit
00h	Volatile DAC0 Register	7Fh	1FFh	7FFh	10h	Nonvolatile DAC0 Wiper Register ⁽¹⁾	7Fh	1FFh	7FFh
01h	Volatile DAC1 Register	7Fh	1FFh	7FFh	11h	Nonvolatile DAC1 Wiper Register ⁽¹⁾	7Fh	1FFh	7FFh
02h	Reserved	—	—	—	12h	Reserved	—	—	—
03h	Reserved	—	—	—	13h	Reserved	—	—	—
04h	Reserved	—	—	—	14h	Reserved	—	—	—
05h	Reserved	—	—	—	15h	Reserved	—	—	—
06h	Reserved	—	—	—	16h	Reserved	—	—	—
07h	Reserved	—	—	—	17h	Reserved	—	—	—
08h	Volatile VREF Register	0000h	0000h	0000h	18h	Nonvolatile VREF register ⁽¹⁾	0000h	0000h	0000h
09h	Volatile Power-Down Register	0000h	0000h	0000h	19h	Nonvolatile Power-Down Register ⁽¹⁾	0000h	0000h	0000h
0Ah	Volatile Gain and Status Register ⁽²⁾	0080h	0080h	0080h	1Ah	NV Gain ⁽¹⁾	0000h	0000h	0000h
0Bh	Reserved	0000h	0000h	0000h	1Bh	NV WiperLock™ Technology Register ⁽¹⁾	0000h	0000h	0000h
0Ch	General Purpose MTP ⁽¹⁾	—	—	—	1Ch	General Purpose MTP ⁽¹⁾	0000h	0000h	0000h
0Dh	General Purpose MTP ⁽¹⁾	0000h	0000h	0000h	1Dh	General Purpose MTP ⁽¹⁾	0000h	0000h	0000h
0Eh	General Purpose MTP ⁽¹⁾	0000h	0000h	0000h	1Eh	General Purpose MTP ⁽¹⁾	0000h	0000h	0000h
0Fh	General Purpose MTP ⁽¹⁾	0000h	0000h	0000h	1Fh	General Purpose MTP ⁽¹⁾	0000h	0000h	0000h

Legend:

	Volatile Memory address range
	Nonvolatile Memory address range
	Not implemented

Note 1: On nonvolatile devices only (MCP48CMBXX).

2: The “1” bit is the POR status bit, which is set after the POR event and cleared after address 0Ah is read.

MCP48CXBXX

4.2.6 DEVICE REGISTERS

Register 4-1 shows the format of the DAC Output Value registers for the volatile memory locations. These registers will be either 8 bits, 10 bits, or 12 bits wide. The values are right justified.

REGISTER 4-1: DAC0 (00H/10H) AND DAC1 (01H/11H) OUTPUT VALUE REGISTERS (VOLATILE/NONVOLATILE)

	U-0	U-0	U-0	U-0	R/W-n	R/W-n	R/W-n	R/W-n	R/W-n	R/W-n	R/W-n	R/W-n	R/W-n	R/W-n	R/W-n	R/W-n
12-bit	—	—	—	—	D11	D10	D09	D08	D07	D06	D05	D04	D03	D02	D01	D00
10-bit	—	—	—	—	—	—	D09	D08	D07	D06	D05	D04	D03	D02	D01	D00
8-bit	—	—	—	—	—	—	—	—	D07	D06	D05	D04	D03	D02	D01	D00

bit 15 bit 0

Legend:

R = Readable bit W = Writable bit U = Unimplemented bit, read as '0'
 -n = Value at POR '1' = Bit is set '0' = Bit is cleared x = Bit is unknown
 = 12-bit device = 10-bit device = 8-bit device

12-bit 10-bit 8-bit

bit 15-12 bit 15-10 bit 15-8 **Unimplemented:** Read as '0'

bit 11-0 — — **D11-D00:** DAC Output value - 12-bit devices
 FFFh = Full-Scale output value
 7FFh = Mid-Scale output value
 000h = Zero-Scale output value

— bit 9-0 — **D09-D00:** DAC Output value - 10-bit devices
 3FFh = Full-Scale output value
 1FFh = Mid-Scale output value
 000h = Zero-Scale output value

— — bit 7-0 **D07-D00:** DAC Output value - 8-bit devices
 FFh = Full-Scale output value
 7Fh = Mid-Scale output value
 00h = Zero-Scale output value

Note 1: Unimplemented bit, read as '0'.

Register 4-2 shows the format of the Voltage Reference Control register. Each DAC has two bits to control the source of the voltage reference of the DAC. This register is for the volatile memory locations. The width of this register is 2 times the number of DACs for the device.

**REGISTER 4-2: VOLTAGE REFERENCE (VREF) CONTROL REGISTERS (08h/18h)
(VOLATILE/NONVOLATILE)**

	U-0	U-0	U-0	U-0	U-0	U-0	U-0	U-0	U-0	U-0	U-0	R/W-n	R/W-n	R/W-n	R/W-n	
Single	—	—	—	—	—	—	—	—	—	—	—	— ⁽¹⁾	— ⁽¹⁾	VR0B	VR0A	
Dual	—	—	—	—	—	—	—	—	—	—	—	VR1B	VR1A	VR0B	VR0A	
	bit 15												bit 0			

Legend:

R = Readable bit W = Writable bit U = Unimplemented bit, read as '0'
 -n = Value at POR '1' = Bit is set '0' = Bit is cleared x = Bit is unknown
 = Single-channel device = Dual-channel device

Single Dual

bit 15-2	bit 15-4	Unimplemented: Read as '0'
bit 1-0	bit 3-0	VRxB-VRxA: DAC Voltage Reference Control bits 11 = V _{REF} pin (Buffered); V _{REF} buffer enabled 10 = V _{REF} pin (Unbuffered); V _{REF} buffer disabled 01 = Internal Band Gap ⁽²⁾ (1.214V typical); V _{REF} buffer enabled. V _{REF} voltage driven when powered-down. 00 = V _{DD} (Unbuffered); V _{REF} buffer disabled. Use this state with power-down bits for lowest current.

- Note 1:** Unimplemented bit, read as '0'.
- 2:** When the Internal Band Gap is selected, the band gap voltage source will continue to output the voltage on the V_{REF} pin in any of the Power-Down modes. To reduce the power consumption to its lowest level (Band Gap disabled), after selecting the desired Power-Down mode, the voltage reference should be changed to V_{DD} or V_{REF} pin unbuffered ("00" or '10'), which turns off the Internal Band Gap circuitry. After wake-up, the user needs to reselect the Internal Band Gap ("01") for the voltage reference source.

MCP48CXBXX

Register 4-3 shows the format of the Power-Down Control register. Each DAC has two bits to control the Power-Down state of the DAC. This register is for the volatile memory locations and the nonvolatile memory locations. The width of this register is 2 times the number of DACs for the device.

**REGISTER 4-3: POWER-DOWN CONTROL REGISTERS (09h/19h)
(VOLATILE/NONVOLATILE)**

	U-0	U-0	U-0	U-0	U-0	U-0	U-0	U-0	U-0	U-0	U-0	R/W-n	R/W-n	R/W-n	R/W-n	
Single	—	—	—	—	—	—	—	—	—	—	—	— ⁽¹⁾	— ⁽¹⁾	PD0B	PD0A	
Dual	—	—	—	—	—	—	—	—	—	—	—	PD1B	PD1A	PD0B	PD0A	
	bit 15												bit 0			

Legend:			
R = Readable bit	W = Writable bit	U = Unimplemented bit, read as '0'	
-n = Value at POR	'1' = Bit is set	'0' = Bit is cleared	x = Bit is unknown
 = Single-channel device	 = Dual-channel device		

Single	Dual	
bit 15-2	bit 15-4	Unimplemented: Read as '0'
bit 1-0	bit 3-0	PDxB-PDxA: DAC Power-Down Control bits ⁽²⁾
		11 =Powered-Down - V _{OUT} is open circuit
		10 =Powered-Down - V _{OUT} is loaded with a 100 kΩ resistor to ground
		01 =Powered-Down - V _{OUT} is loaded with a 1 kΩ resistor to ground
		00 =Normal Operation (Not powered-down)

- Note 1:** Unimplemented bit, read as '0'.
Note 2: See Table 5-5 for more details.

Register 4-4 shows the format of the Gain Control and System Status register. Each DAC has one bit to control the gain of the DAC and two Status bits.

REGISTER 4-4: GAIN CONTROL AND SYSTEM STATUS REGISTER (0Ah) (VOLATILE)

	U-0	U-0	U-0	U-0	U-0	U-0	R/W-n	R/W-n	R/C-1	R	U-0	U-0	U-0	U-0	U-0
Single	—	—	—	—	—	—	— ⁽¹⁾	G0	POR	MTPMA	—	—	—	—	—
Dual	—	—	—	—	—	—	G1	G0	POR	MTPMA	—	—	—	—	—
	bit 15														bit 0

Legend:

R = Readable bit W = Writable bit C = Clearable bit U = Unimplemented bit, read as '0'
 -n = Value at POR '1' = Bit is set '0' = Bit is cleared x = Bit is unknown
 = Single-channel device = Dual-channel device

Single	Dual	
bit 15-9	bit 15-10	Unimplemented: Read as '0'
—	bit 9	G1: DAC1 Output Driver Gain control bits 1 = 2x Gain. Not applicable when V_{DD} is used as V_{RL} ⁽²⁾ 0 = 1x Gain
bit 8	bit 8	G0: DAC0 Output Driver Gain control bits 1 = 2x Gain. Not applicable when V_{DD} is used as V_{RL} ⁽²⁾ 0 = 1x Gain
bit 7	bit 7	POR: Power-on Reset (Brown-out Reset) Status bit This bit indicates if a POR or BOR event has occurred since the last Read command of this register. Reading this register clears the state of the POR Status bit. 1 = A POR (BOR) event occurred since the last read of this register. Reading this register clears this bit. 0 = A POR (BOR) event has not occurred since the last read of this register.
bit 6	bit 6	MTPMA: MTP Memory Access Status bit ⁽³⁾ This bit indicates if the MTP Memory Access is occurring. 1 = An MTP Memory Access is currently occurring (during the POR MTP read cycle or an MTP write cycle is occurring). Only serial commands addressing the volatile memory are allowed. 0 = An MTP memory Access is NOT currently occurring
bit 5-0	bit 5-0	Unimplemented: Read as '0'

Note 1: Unimplemented bit, read as '0'.

2: The DAC's Gain bit is ignored, and the gain is forced to 1X ($GX = "0"$) when the DAC Voltage Reference is selected as V_{DD} ($VRxB:VRxA = "00"$).

3: For devices configured as volatile memory, this bit is read as '0'.

MCP48CXBXX

Register 4-5 shows the format of the Nonvolatile Gain Control register. Each DAC has one bit to control the gain of the DAC.

REGISTER 4-5: GAIN CONTROL REGISTER (1Ah) (NONVOLATILE)

	U-0	U-0	U-0	U-0	U-0	U-0	R/W-n	R/W-n	U-0	U-0	U-0	U-0	U-0	U-0	U-0	U-0														
Single	—	—	—	—	—	—	G1	G0	—	—	—	—	—	—	—	—														
Dual	—	—	—	—	—	—	G1	G0	—	—	—	—	—	—	—	—														
	bit 15															bit 0														

Legend:

R = Readable bit W = Writable bit C = Clearable bit U = Unimplemented bit, read as '0'
 -n = Value at POR '1' = Bit is set '0' = Bit is cleared x = Bit is unknown
 = Single-channel device = Dual-channel device

Single

bit 15-10

bit 9-8

bit 7-0

Dual

bit 15-10

bit 9-8

bit 7-0

Unimplemented: Read as '0'

GX⁽¹⁾: DAC Output Driver Gain control bits

1 = 2X Gain

0 = 1X Gain

Unimplemented: Read as '0'

Note 1: When the DAC Voltage Reference is selected as V_{DD} ($VRxB:VRxA = "00"$), the DAC's Gain bit is ignored and the gain is forced to 1X ($GX = "0"$).

Register 4-6 shows the format of the DAC WiperLock Technology Status Register. The width of this register is 2 times the number of DACs for the device.

WiperLock Technology bits only control access to volatile memory. Nonvolatile memory write access is controlled by the requirement of high voltage on the HVC pin, which is recommended to not be available during normal device operation.

REGISTER 4-6: WIPERLOCK TECHNOLOGY CONTROL REGISTER (1BH) (NONVOLATILE)

	U-0	U-0	U-0	U-0	U-0	U-0	U-0	U-0	U-0	U-0	U-0	R/W-n	R/W-n	R/W-n	R/W-n
Single	—	—	—	—	—	—	—	—	—	—	—	— ⁽¹⁾	— ⁽¹⁾	WL0B	WL0A
Dual	—	—	—	—	—	—	—	—	—	—	—	WL1B	WL1A	WL0B	WL0A
	bit 15											bit 0			

Legend:

R = Readable bit	W = Writable bit	C = Clearable bit	U = Unimplemented bit, read as '0'
-n = Value at POR	'1' = Bit is set	'0' = Bit is cleared	x = Bit is unknown
 = Single-channel device	 = Dual-channel device		

Single	Dual
---------------	-------------

bit 15-2	bit 15-4	Unimplemented: Read as '0'
----------	----------	-----------------------------------

bit 1-0	bit 3-0	WLXB-WLXA: WiperLock™ Technology Status bits ⁽²⁾
---------	---------	--

11 = Vol. DAC Wiper Register and Vol. DAC configuration bits are locked

10 = Vol. DAC Wiper Register is locked, and Vol. DAC configuration bits are unlocked

01 = Vol. DAC Wiper Register is unlocked, and Vol. DAC configuration bits are locked

00 = Vol. DAC Wiper Register and Vol. DAC configuration bits are unlocked

Note 1: Unimplemented bit, read as '0'.

2: The volatile PDxB:PDxA bits are NOT locked due to the requirement of being able to exit Power-Down mode.

MCP48CXBXX

NOTES:

5.0 DAC CIRCUITRY

The Digital to Analog Converter circuitry converts a digital value into its analog representation. The description describes the functional operation of the device.

The DAC Circuit uses a resistor ladder implementation. Devices have up to two DACs. Figure 5-1 shows the functional block diagram for the MCP48CXBXX DAC circuitry.

The functional blocks of the DAC include:

- Resistor Ladder
- Voltage Reference Selection
- Output Buffer/ V_{OUT} Operation
- Latch Pin (LAT)
- Power-Down Operation

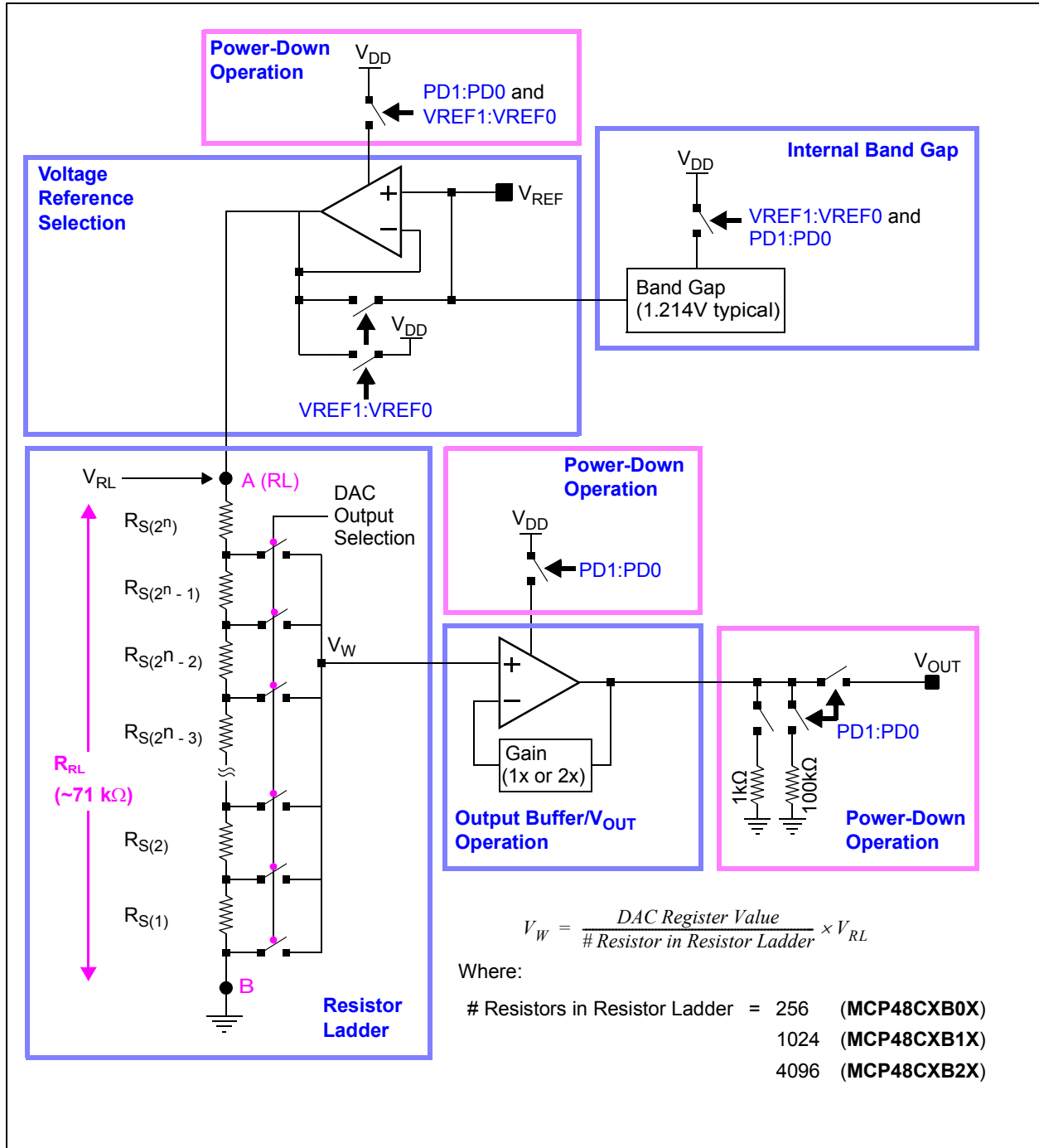


FIGURE 5-1: MCP48CXBXX DAC Module Block Diagram.

MCP48CXBXX

5.1 Resistor Ladder

The resistor ladder is a digital potentiometer with the A Terminal connected to the selected reference voltage and the B Terminal internally grounded (see Figure 5-2). The volatile DAC register controls the wiper position. The wiper voltage (V_W) is proportional to the DAC register value divided by the number of resistor elements (R_S) in the ladder (256, 1024 or 4096) related to the V_{RL} voltage.

The output of the resistor network will drive the input of an output buffer.

The Resistor Network is made up of three parts:

- Resistor Ladder (string of R_S elements)
- Wiper switches
- DAC register decode

The resistor ladder has a typical impedance (R_{RL}) of approximately 71 k Ω . This resistor ladder resistance (R_{RL}) may vary from device to device up to $\pm 10\%$. Since this is a voltage divider configuration, the actual R_{RL} resistance does not affect the output, given a fixed voltage at V_{RL} .

Equation 5-1 shows the calculation for the step resistance.

Note: The maximum wiper position is $2^n - 1$, while the number of resistors in the resistor ladder is 2^n . This means that when the DAC register is at full scale, there is one resistor element (R_S) between the wiper and the V_{RL} voltage.

If the unbuffered V_{REF} pin is used as the V_{RL} voltage source, the external voltage source should have a low output impedance.

When the DAC is powered down, the resistor ladder is disconnected from the selected reference voltage.

EQUATION 5-1: R_S CALCULATION

$R_S = \frac{R_{RL}}{(256)}$	<i>8-bit Device</i>

$R_S = \frac{R_{RL}}{(1024)}$	<i>10-bit Device</i>

$R_S = \frac{R_{RL}}{(4096)}$	<i>12-bit Device</i>

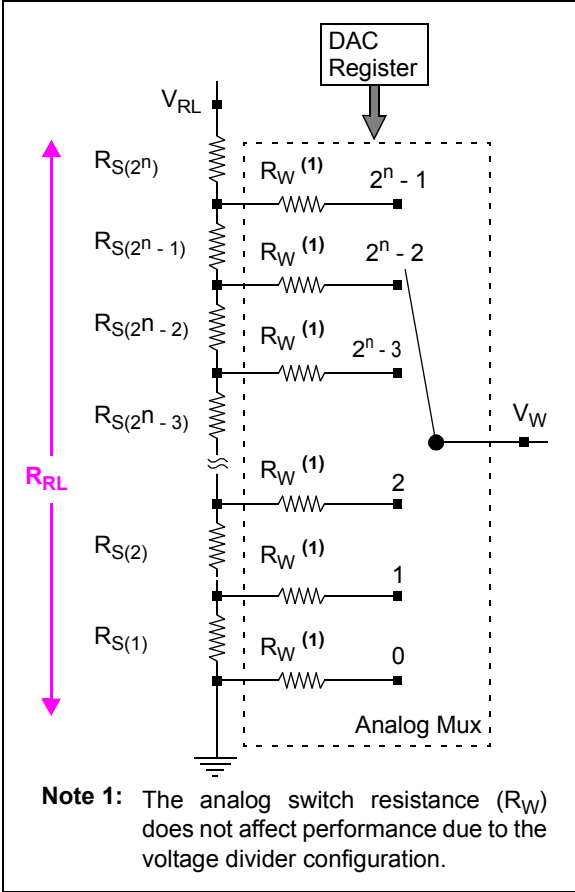


FIGURE 5-2: Resistor Ladder Model Block Diagram.

5.2 Voltage Reference Selection

The resistor ladder has up to four sources for the reference voltage. The selection of the voltage reference source is specified with the volatile VREF1:VREF0 configuration bits (see Register 4-2). The selected voltage source is connected to the V_{RL} node (see Figure 5-3 and Figure 5-4).

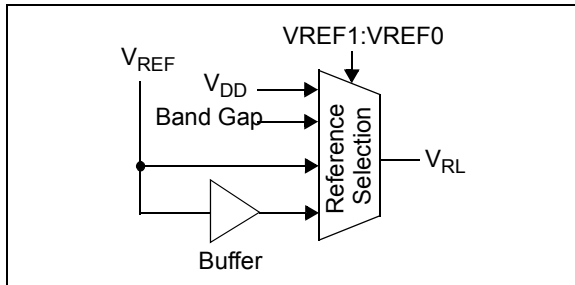


FIGURE 5-3: Resistor Ladder Reference Voltage Selection Block Diagram.

The four voltage source options for the Resistor Ladder are:

1. V_{DD} pin voltage
2. Internal band gap voltage reference (V_{BG})
3. V_{REF} pin voltage - unbuffered
4. V_{REF} pin voltage - internally buffered

On a POR/BOR event, the default configuration state or the value written in the nonvolatile register is latched into the volatile VREF1:VREF0 configuration bits.

If the V_{REF} pin is used with an external voltage source, then the user must select between Buffered or Unbuffered mode.

5.2.1 USING V_{DD} AS V_{REF}

When the user selects the V_{DD} as reference, the V_{REF} pin voltage is not connected to the Resistor Ladder. The V_{DD} voltage is internally connected to the Resistor Ladder.

5.2.2 USING AN EXTERNAL V_{REF} SOURCE IN UNBUFFERED MODE

In this case, the V_{REF} pin voltage may vary from V_{SS} to V_{DD}. The voltage source should have a low-output impedance. If the voltage source has a high-output impedance, then the voltage on the V_{REF} pin could be lower than expected. The resistor ladder has a typical impedance of 71 kΩ and a typical capacitance of 29 pF.

If a single V_{REF} pin is supplying multiple DACs, the V_{REF} pin source must have adequate current capability to support the number of DACs. It must be assumed that the resistor ladder resistance (R_{RL}) of each DAC is at the minimum specified resistance and these resistances are in parallel.

If the V_{REF} pin is tied to the V_{DD} voltage, selecting the V_{DD} Reference mode (VREF1:VREF0 = '00') is recommended.

5.2.3 USING AN EXTERNAL V_{REF} SOURCE IN BUFFERED MODE

The V_{REF} pin voltage may be from 0V to V_{DD}. The input buffer (amplifier) provides low offset voltage, low noise, and a very high input impedance, with only minor limitations on the input range and frequency response.

Any variation or noises on the reference source can directly affect the DAC output. The reference voltage needs to be as clean as possible for accurate DAC performance.

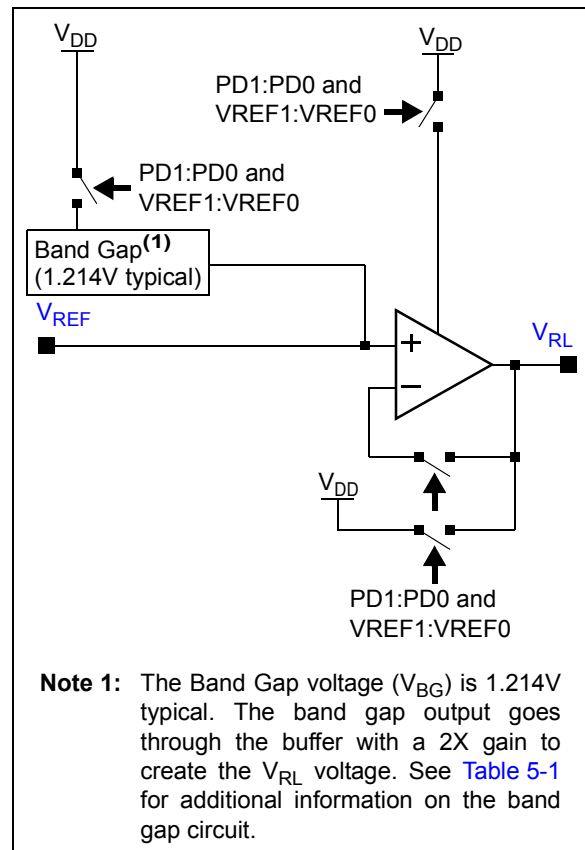


FIGURE 5-4: Reference Voltage Selection Implementation Block Diagram.

MCP48CXBXX

5.2.4 USING THE INTERNAL BAND GAP AS VOLTAGE REFERENCE

The Internal Band Gap is designed to drive the Resistor Ladder Buffer.

If the Internal Band Gap is selected, then the band gap voltage source will drive the external V_{REF} pins. The V_{REF1} pin must be left unloaded in this mode. The voltage reference source can be independently selected on devices with two DAC channels, but restrictions apply:

- The V_{DD} mode can be used without issues on any channel.
- When the Internal Band Gap is selected as the voltage source, all the V_{REF} pins are connected to its output. The use of the Unbuffered mode is only possible on V_{REF0} , because it's the only one that can be loaded.
- When using the Internal Band Gap mode on channel 0, channel 1 must be put in Buffered External V_{REF} mode or V_{DD} Reference mode and the V_{REF1} pin must be left unloaded.

The resistance of the resistor ladder (R_{RL}) is targeted to be 71 k Ω ($\pm 10\%$), which means a minimum resistance of 63.9 k Ω .

The band gap selection can be used across the V_{DD} voltages while maximizing the V_{OUT} voltage ranges. For V_{DD} voltages below the Gain * V_{BG} voltage, the output for the upper codes will be clipped to the V_{DD} voltage. Table 5-4 shows the maximum DAC register code given device V_{DD} and Gain bit setting.

TABLE 5-1: V_{OUT} USING BAND GAP

V_{DD}	DAC Gain	Max DAC Code ⁽¹⁾			Comment
		12-bit	10-bit	8-bit	
5.5	1	FFFh	3FFh	FFh	$V_{OUT(max)} = 1.214V^{(3)}$
	2	FFFh	3FFh	FFh	$V_{OUT(max)} = 2.428V^{(3)}$
2.7	1	FFFh	3FFh	FFh	$V_{OUT(max)} = 1.214V^{(3)}$
	2	FFFh	3FFh	FFh	$V_{OUT(max)} = 2.428V$
1.8	1	FFFh	3FFh	FFh	$V_{OUT(max)} = 1.214V$
	2 ⁽²⁾	BBCh	2EFh	BBh	1.8V

- Note**
- 1: Without the V_{OUT} pin voltage being clipped.
 - 2: Recommended to use the Gain = 1 setting.
 - 3: When $V_{BG} = 1.214V$ typical.

5.3 Output Buffer/ V_{OUT} Operation

The Output Driver buffers the wiper voltage (V_W) of the Resistor Ladder.

The DAC output is buffered with a low-power, precision output amplifier with selectable gain. This amplifier provides a rail-to-rail output with low offset voltage and low noise. The amplifier's output can drive the resistive and high-capacitive loads without oscillation. The amplifier provides a maximum load current which is enough for most programmable voltage reference applications. Refer to Section 1.0 "Electrical Characteristics" for the specifications of the output amplifier.

Note: The load resistance must be kept higher than 2 k Ω to maintain stability of the analog output and have it meet electrical specifications.

Figure 5-5 shows a block diagram of the output driver circuit.

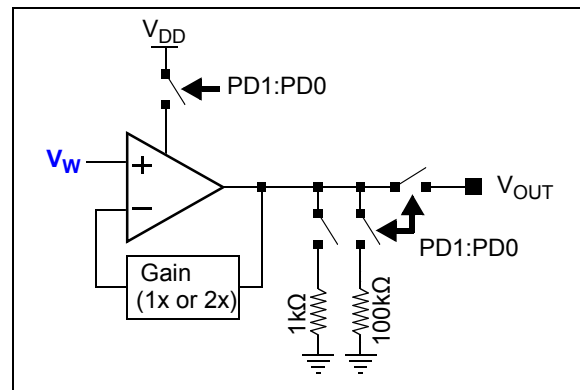


FIGURE 5-5: Output Driver Block Diagram.

Power-Down logic also controls the output buffer operation (see Section 5.5 "Power-Down Operation" for additional information on Power-Down). In any of the three Power-Down modes, the output amplifier is powered down and its output becomes a high impedance to the V_{OUT} pin.

5.3.1 PROGRAMMABLE GAIN

The amplifier's gain is controlled by the Gain (G) Configuration bit (see Register 4-4) and the V_{RL} reference selection (see Register 4-2).

The Gain options are:

- a) Gain of 1, with either the V_{DD} or V_{REF} pin used as reference voltage.
- b) Gain of 2, only when the V_{REF} pin or the Internal Band Gap is used as reference voltage. The V_{REF} pin voltage should be limited to $V_{DD}/2$. When the reference voltage selection (V_{RL}) is the device's V_{DD} voltage, the G bit is ignored and a gain of 1 is used.

Table 5-2 shows the gain bit operation.

TABLE 5-2: OUTPUT DRIVER GAIN

Gain Bit	Gain	Comment
0	1	
1	2	Limits V_{REF} pin voltages relative to device V_{DD} voltage

The volatile G bit value can be modified by:

- POR event
- BOR event
- SPI Write commands

5.3.2 OUTPUT VOLTAGE

The volatile DAC register values, along with the device's configuration bits, control the analog V_{OUT} voltage. The volatile DAC register's value is unsigned binary. The formula for the output voltage is provided in Equation 5-2. Examples of volatile DAC register values and the corresponding theoretical V_{OUT} voltage for the MCP48CXBXX devices are shown in Table 5-6.

EQUATION 5-2: CALCULATING OUTPUT VOLTAGE (V_{OUT})

$$V_{OUT} = \frac{V_{RL} \times DAC \text{ Register Value}}{\# \text{ Resistor in Resistor Ladder}} \times Gain$$

Where:

# Resistors in R-Ladder	= 4096 (MCP48CXB2X)
	1024 (MCP48CXB1X)
	256 (MCP48CXB0X)

When Gain = 2 ($V_{RL} = V_{REF}$), if $V_{REF} > V_{DD}/2$, the V_{OUT} voltage is limited to V_{DD} . So if $V_{REF} = V_{DD}$, the V_{OUT} voltage does not change for volatile DAC register values mid-scale and greater, since the output amplifier is at full-scale output.

The following events update the DAC register value and therefore the analog voltage output (V_{OUT}):

- Power-on Reset
- Brown-out Reset
- SPI Write command (to volatile registers)

Next, the V_{OUT} voltage starts driving to the new value after the event has occurred.

5.3.3 OUTPUT SLEW RATE

Figure 5-6 shows an example of the slew rate of the V_{OUT} pin. The slew rate can be affected by the characteristics of the circuit connected to the V_{OUT} pin.

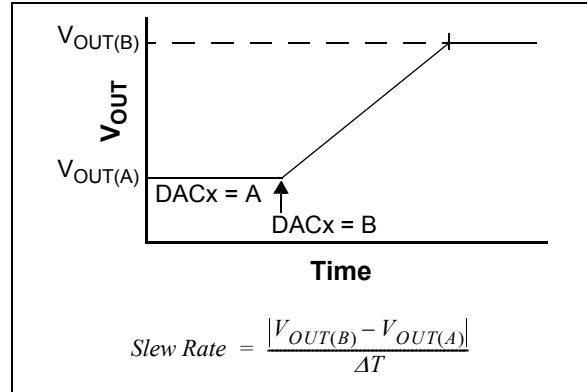


FIGURE 5-6: V_{OUT} Pin Slew Rate.

5.3.3.1 Small Capacitive Load

With a small capacitive load, the output buffer's current is not affected by the capacitive load (C_L). But still, the V_{OUT} pin's voltage is not a step transition from one output value (DAC register value) to the next output value. The change of the V_{OUT} voltage is limited by the output buffer's characteristics, so the V_{OUT} pin voltage will have a slope from the old voltage to the new voltage. This slope is fixed for the output buffer, and is referred to as the buffer slew rate (SR_{BUF}).

5.3.3.2 Large Capacitive Load

With a larger capacitive load, the slew rate is determined by two factors:

- The output buffer's short-circuit current (I_{SC})
- The V_{OUT} pin's external load

I_{OUT} cannot exceed the output buffer's short-circuit current (I_{SC}), which fixes the output buffer slew rate (SR_{BUF}). The voltage on the capacitive load (C_L), V_{CL} changes at a rate proportional to I_{OUT} , which fixes a capacitive load slew rate (SR_{CL}).

So the V_{CL} voltage slew rate is limited to the slower of the output buffer's internally set slew rate (SR_{BUF}) and the capacitive load slew rate (SR_{CL}).

5.3.4 DRIVING RESISTIVE AND CAPACITIVE LOADS

The V_{OUT} pin can drive up to 100 pF of capacitive load in parallel with a 5 k Ω resistive load (to meet electrical specifications). V_{OUT} drops slowly as the load resistance decreases after about 3.5 k Ω . It is recommended to use a load with R_L greater than 2 k Ω .

Refer to the Characterization Data documents for a detailed V_{OUT} vs. Resistive Load characterization graph.

MCP48CXBXX

Driving large capacitive loads can cause stability problems for voltage feedback output amplifiers. As the load capacitance increases, the feedback loop's phase margin decreases and the closed-loop bandwidth is reduced. This produces gain peaking in the frequency response with overshoot and ringing in the step response. That is, since the V_{OUT} pin's voltage does not quickly follow the buffer's input voltage (due to the large capacitive load), the output buffer will overshoot the desired target voltage. Once the driver detects this overshoot, it compensates by forcing it to a voltage below the target. This causes voltage ringing on the V_{OUT} pin.

So, when driving large capacitive loads with the output buffer, a small series resistor (R_{ISO}) at the output (see Figure 5-7) improves the output buffer's stability (feedback loop's phase margin) by making the output load resistive at higher frequencies. The bandwidth will be generally lower than the bandwidth with no capacitive load.

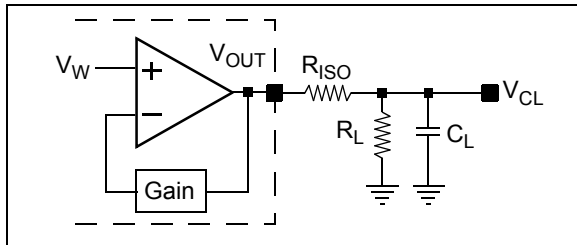


FIGURE 5-7: Circuit to Stabilize Output Buffer for Large Capacitive Loads (C_L).

The R_{ISO} resistor value for your circuit needs to be selected. The resulting frequency response peaking and step response overshoot for this R_{ISO} resistor value should be verified on the bench. Modify the R_{ISO} 's resistance value until the output characteristics meet your requirements.

TABLE 5-3: THEORETICAL STEP VOLTAGE (V_S)⁽¹⁾

Step Voltage	V_{REF}					#bits
	5.0	2.7	1.8	1.5	1.0	
V_S	1.22 mV	659 μ V	439 μ V	366 μ V	244 μ V	12-bit
	4.88 mV	2.64 mV	1.76 mV	1.46 mV	977 μ V	10-bit
	19.5 mV	10.5 mV	7.03 mV	5.86 mV	3.91 mV	8-bit

Note 1: When Gain = 1X, $V_{FS} = V_{RL}$, and $V_{ZS} = 0V$.

A method to evaluate the system's performance is to inject a step voltage on the V_{REF} pin and observe the V_{OUT} pin's characteristics.

Note: Additional insight into circuit design for driving capacitive loads can be found in AN884 – "Driving Capacitive Loads With Op Amps" (DS00000884).

5.3.5 STEP VOLTAGE (V_S)

The Step Voltage depends on the device resolution and the calculated output voltage range. 1 LSb is defined as the ideal voltage difference between two successive codes. The step voltage can easily be calculated by using Equation 5-3 (the DAC register value is equal to 1). Theoretical Step Voltages are shown in Table 5-3 for several V_{REF} voltages.

EQUATION 5-3: V_S CALCULATION

$$V_S = \frac{V_{RL}}{\# \text{ Resistor in Resistor Ladder}} \times \text{Gain}$$

Where:

# Resistors in R-Ladder =	4096	(12-bit)
	1024	(10-bit)
	256	(8-bit)

5.4 Latch Pin ($\overline{\text{LAT}}$)

The Latch pin controls when the volatile DAC register value is transferred to the DAC wiper. This is useful for applications that need to synchronize the wiper(s) updates to an external event, such as zero crossing or updates to the other wipers on the device. The $\overline{\text{LAT}}$ pin is asynchronous to the serial interface operation.

When the $\overline{\text{LAT}}$ pin is high, transfers from the volatile DAC register to the DAC wiper are inhibited. The volatile DAC register value(s) can continue to be updated.

When the $\overline{\text{LAT}}$ pin is low, the volatile DAC register value is transferred to the DAC wiper.

Note: This allows both the volatile DAC0 and DAC1 registers to be updated while the $\overline{\text{LAT}}$ pin is high, and to have outputs synchronously updated as the $\overline{\text{LAT}}$ pin is driven low.

Figure 5-8 shows the interaction of the $\overline{\text{LAT}}$ pin and the loading of the DAC wiper x (from the volatile DAC register x). The transfers are level driven. If the $\overline{\text{LAT}}$ pin is held low, the corresponding DAC wiper is updated as soon as the volatile DAC register value is updated.

The $\overline{\text{LAT}}$ pin allows the DAC wiper to be updated to an external event and to have multiple DAC channels/devices update at a common event.

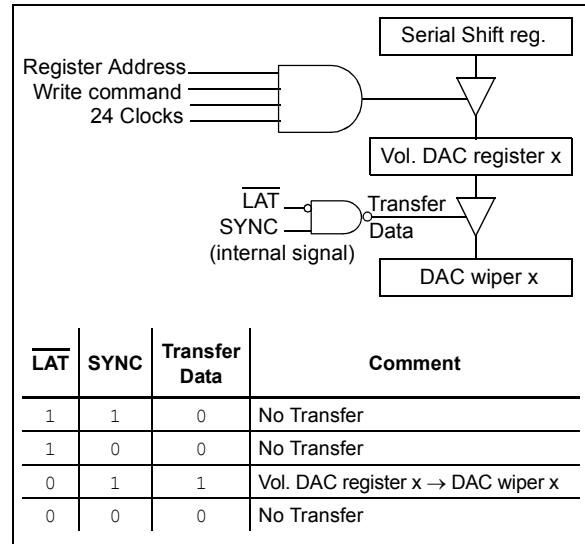


FIGURE 5-8: $\overline{\text{LAT}}$ and DAC Interaction.

Since the DAC wiper x is updated from the volatile DAC register x, all DACs that are associated with a given $\overline{\text{LAT}}$ pin can be updated synchronously.

If the application does not require synchronization, then this signal should be tied low.

Figure 5-9 shows two cases of using the $\overline{\text{LAT}}$ pin to control when the wiper register is updated relative to the value of a sine wave signal.

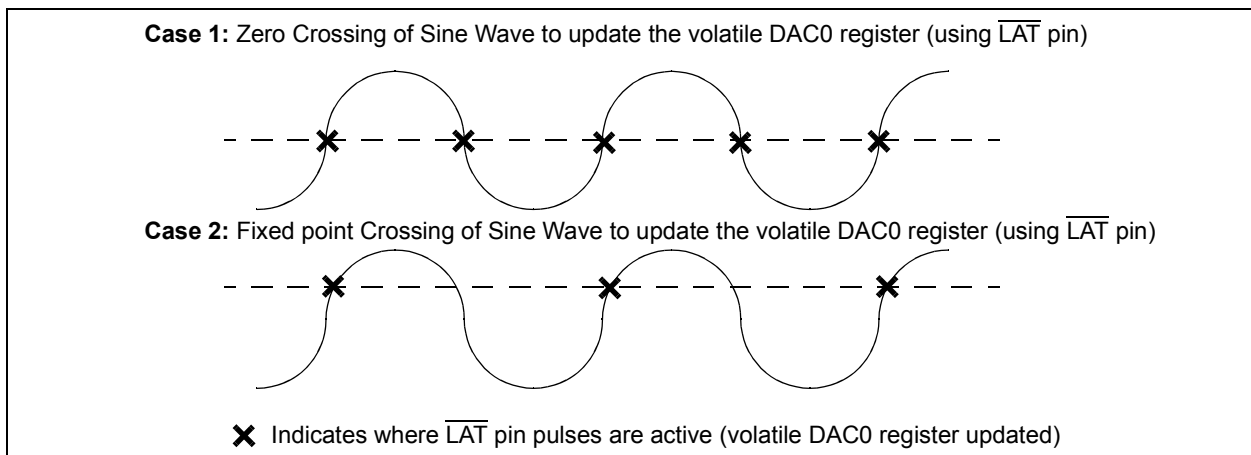


FIGURE 5-9: Example Use of $\overline{\text{LAT}}$ Pin Operation.

5.5 Power-Down Operation

To allow the application to conserve power when DAC operation is not required, three Power-Down modes are available. On devices with multiple DACs, each DAC's Power-Down mode is individually controllable.

All Power-Down modes do the following:

- Turn off most of the DAC module's internal circuits
- Op amp is powered down and the V_{OUT} pin becomes high-impedance

- Retain the value of the volatile DAC register and configuration bits

Depending on the selected Power-Down mode, the following will occur:

- V_{OUT} pin is switched to one of the two resistive pull-downs:
 - 100 k Ω (typical)
 - 1 k Ω (typical)

MCP48CXBXX

The Power-Down configuration bits (PD1:PD0) control the power-down operation (Table 5-4).

TABLE 5-4: POWER-DOWN BITS AND OUTPUT RESISTIVE LOAD

PD1	PD0	Function
0	0	Normal operation
0	1	1 kΩ resistor to ground
1	0	100 kΩ resistor to ground
1	1	Open circuit

There is a delay (T_{PDD}) between the PD1:PD0 bits changing from '00' to either '01', '10' or '11' and the op amp no longer driving the V_{OUT} output, and the pull-down resistors sinking current.

In any of the Power-Down modes where the V_{OUT} pin is not externally connected (sinking or sourcing current), as the number of DACs increases, the device's power-down current will also increase.

Table 5-6 shows the current sources for the DAC based on the selected source of the DAC's reference voltage and if the device is in normal operating mode or one of the Power-Down modes.

TABLE 5-5: DAC CURRENT SOURCES

Device V_{DD} Current Source	PDxB:xA = '00', VREFx:B:xA =				PDxB:xA ≠ '00', VREFx:B:xA =			
	00	01	10	11	00	01	10	11
Output Op Amp	Y	Y	Y	Y	N	N	N	N
Resistor Ladder	Y	Y	N ⁽¹⁾	Y	N	N	N ⁽¹⁾	N
V_{REF} Selection Buffer	N	Y	N	Y	N	N	N	N
Band Gap	N	Y	N	N	N ⁽²⁾	Y ⁽²⁾	N ⁽²⁾	N ⁽²⁾

Note 1: The current is sourced from the V_{REF} pin, not the device V_{DD} .

2: If DAC0 and DAC1 are in one of the Power-Down modes, MTP write operations are not recommended.

The power-down bits are modified by using a write command to the volatile Power-Down register or a POR event, which transfers the nonvolatile Power-Down Register to the volatile Power-Down Register.

Section 7.0 "Device Commands" describes the SPI command for writing the power-down bits.

Note 1: The SPI serial interface circuit is not affected by the Power-Down mode. This circuit remains active in order to receive any command that might come from the SPI Master device.

5.5.1 EXITING POWER-DOWN

The following event changes the PD1:PD0 bits to '00' and therefore exits the Power-Down mode. This is any SPI Write command where the PD1:PD0 bits are '00'.

When the device exits Power-Down mode, the following occurs:

- Disabled internal circuits are turned on
- Resistor ladder is connected to the selected reference voltage (V_{RL})
- Selected pull-down resistor is disconnected
- The V_{OUT} output is driven to the voltage represented by the volatile DAC register's value and configuration bits

DAC Wiper register and DAC Wiper value may be different due to the DAC Wiper register being modified while the \overline{LAT} pin was driven to (and remaining at) V_{IH} .

The V_{OUT} output signal requires time as these circuits are powered-up and the output voltage is driven to the specified value as determined by the volatile DAC register and configuration bits.

Note: Since the op amp and Resistor Ladder were powered off (0V), the op amp's input voltage (V_W) can be considered 0V. There is a delay (T_{PDE}) between the PD1:PD0 bits updating to '00' and the op amp driving the V_{OUT} output. The op amp's settling time (from 0V) needs to be taken into account to ensure the V_{OUT} voltage reflects the selected value.

MCP48CXBXX

TABLE 5-6: DAC INPUT CODE VS. CALCULATED ANALOG OUTPUT (V_{OUT}) ($V_{DD} = 5.0V$)

Device	Volatile DAC Register Value	$V_{RL}^{(1)}$	LSb		Gain Selection ⁽²⁾	$V_{OUT}^{(3)}$	
			Equation	μV		Equation	V
MCP48CVB2X (12-bit)	1111 1111 1111	5.0V	5.0V/4096	1,220.7	1x	$V_{RL} * (4095/4096) * 1$	4.998779
		2.5V	2.5V/4096	610.4	1x	$V_{RL} * (4095/4096) * 1$	2.499390
					2x ⁽²⁾	$V_{RL} * (4095/4096) * 2$	4.998779
	0111 1111 1111	5.0V	5.0V/4096	1,220.7	1x	$V_{RL} * (2047/4096) * 1$	2.498779
		2.5V	2.5V/4096	610.4	1x	$V_{RL} * (2047/4096) * 1$	1.249390
					2x ⁽²⁾	$V_{RL} * (2047/4096) * 2$	2.498779
	0011 1111 1111	5.0V	5.0V/4096	1,220.7	1x	$V_{RL} * (1023/4096) * 1$	1.248779
		2.5V	2.5V/4096	610.4	1x	$V_{RL} * (1023/4096) * 1$	0.624390
					2x ⁽²⁾	$V_{RL} * (1023/4096) * 2$	1.248779
	0000 0000 0000	5.0V	5.0V/4096	1,220.7	1x	$V_{RL} * (0/4096) * 1$	0
		2.5V	2.5V/4096	610.4	1x	$V_{RL} * (0/4096) * 1$	0
					2x ⁽²⁾	$V_{RL} * (0/4096) * 2$	0
MCP48CVB1X (10-bit)	11 1111 1111	5.0V	5.0V/1024	4,882.8	1x	$V_{RL} * (1023/1024) * 1$	4.995117
		2.5V	2.5V/1024	2,441.4	1x	$V_{RL} * (1023/1024) * 1$	2.497559
					2x ⁽²⁾	$V_{RL} * (1023/1024) * 2$	4.995117
	01 1111 1111	5.0V	5.0V/1024	4,882.8	1x	$V_{RL} * (511/1024) * 1$	2.495117
		2.5V	2.5V/1024	2,441.4	1x	$V_{RL} * (511/1024) * 1$	1.247559
					2x ⁽²⁾	$V_{RL} * (511/1024) * 2$	2.495117
	00 1111 1111	5.0V	5.0V/1024	4,882.8	1x	$V_{RL} * (255/1024) * 1$	1.245117
		2.5V	2.5V/1024	2,441.4	1x	$V_{RL} * (255/1024) * 1$	0.622559
					2x ⁽²⁾	$V_{RL} * (255/1024) * 2$	1.245117
	00 0000 0000	5.0V	5.0V/1024	4,882.8	1x	$V_{RL} * (0/1024) * 1$	0
		2.5V	2.5V/1024	2,441.4	1x	$V_{RL} * (0/1024) * 1$	0
					2x ⁽²⁾	$V_{RL} * (0/1024) * 1$	0
MCP48CVB0X (8-bit)	1111 1111	5.0V	5.0V/256	19,531.3	1x	$V_{RL} * (255/256) * 1$	4.980469
		2.5V	2.5V/256	9,765.6	1x	$V_{RL} * (255/256) * 1$	2.490234
					2x ⁽²⁾	$V_{RL} * (255/256) * 2$	4.980469
	0111 1111	5.0V	5.0V/256	19,531.3	1x	$V_{RL} * (127/256) * 1$	2.480469
		2.5V	2.5V/256	9,765.6	1x	$V_{RL} * (127/256) * 1$	1.240234
					2x ⁽²⁾	$V_{RL} * (127/256) * 2$	2.480469
	0011 1111	5.0V	5.0V/256	19,531.3	1x	$V_{RL} * (63/256) * 1$	1.230469
		2.5V	2.5V/256	9,765.6	1x	$V_{RL} * (63/256) * 1$	0.615234
					2x ⁽²⁾	$V_{RL} * (63/256) * 2$	1.230469
	0000 0000	5.0V	5.0V/256	19,531.3	1x	$V_{RL} * (0/256) * 1$	0
		2.5V	2.5V/256	9,765.6	1x	$V_{RL} * (0/256) * 1$	0
					2x ⁽²⁾	$V_{RL} * (0/256) * 2$	0

- Note 1:** V_{RL} is the resistor ladder's reference voltage. It is independent of the VREF1:VREF0 selection.
- Note 2:** Gain selection of 2X ($GX = '1'$) requires the voltage reference source to come from the V_{REF} pin ($VREF1:VREF0 = '10'$ or $'11'$) and requires V_{REF} pin voltage (or V_{RL}) $\leq V_{DD}/2$ or from the internal band gap ($VREF1:VREF0 = '01'$).
- Note 3:** These theoretical calculations do not take into account the Offset, Gain and Nonlinearity errors.

MCP48CXBXX

NOTES:

6.0 SPI SERIAL INTERFACE MODULE

The MCP48CXBXX's SPI Serial Interface Module is a 4-wire interface. The devices operate only as slaves (do not generate the master clock). [Figure 6-1](#) shows a typical SPI interface connection.

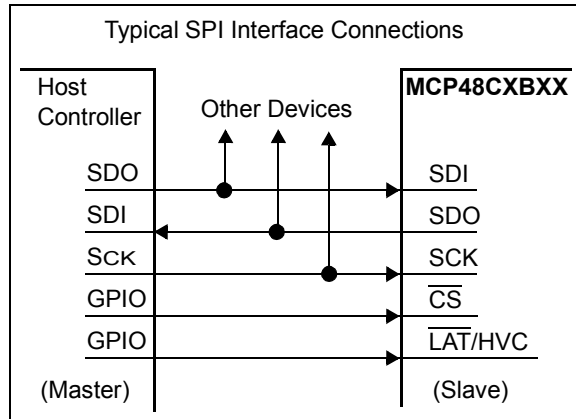


FIGURE 6-1: Typical SPI Interface.

The frame content (commands) for the MCP48CXBXX are defined in [Section 7.0 “Device Commands”](#).

6.1 Overview

This section discusses some of the specific characteristics of the MCP48CXBXX's SPI Serial Interface Module. This is to assist in the development of your application.

The following sections discuss some of these device-specific characteristics:

- [Communication Data Rates](#)
- [POR/BOR](#)
- [Interface Pins \(CS, SCK, SDI, SDO, and LAT/HVC\)](#)
- [Device Memory Address](#)
- [SPI Modes](#)

The MCP48CXBXX devices support the SPI serial protocol. This SPI operates in Slave mode (does not generate the serial clock).

The SPI interface uses four pins. These are:

- \overline{CS} - Chip Select
- SCK - Serial Clock
- SDI - Serial Data In
- SDO - Serial Data Out

A fifth pin is used if a write is being done in the MTP memory. This pin is HVC - High Voltage Command (customer manufacturing only, multiplexed with \overline{LAT}_0 functionality).

The HVC pin is used to program the MTP memory. This is intended to be used only during the customer's factory production flow. On volatile devices, the HVC

pin is high-voltage tolerant. To enter a high voltage command, the HVC pin must be greater than the V_{IH} voltage.

Typical SPI Interfaces are shown in [Figure 6-1](#). In the SPI interface, the Master's Output pin is connected to the Slave's Input pin, and the Master's Input pin is connected to the Slave's Output pin.

The MCP48CXBXX SPI module supports two (of the four) standard SPI modes. These are Mode 0, 0 and 1, 1. The SPI mode is determined by the state of the SCK pin (V_{IH} or V_{IL}) when the \overline{CS} pin transitions from inactive (V_{IH}) to active (V_{IL}).

6.2 Communication Data Rates

The MCP48CXBXX supports clock rates (bit rates) of up to 25 MHz for read, and 50 MHz for Write commands.

For most applications, the write time will be considered more important, since that is how the device operation is controlled.

6.3 POR/BOR

On a POR/BOR event, the SPI Serial Interface Module state machine is reset, which includes forcing the device's Memory Address pointer to 00h.

6.4 Interface Pins (\overline{CS} , SCK, SDI, SDO, and LAT/HVC)

The operation of the four interface pins and the High-Voltage command (HVC) pin is discussed in this section. The serial interface works on 24-bit boundaries. The \overline{CS} pin frames the SPI commands.

6.4.1 SERIAL DATA IN (SDI)

The Serial Data In (SDI) signal is the data signal in the device. The value on this pin is latched on the rising edge of the SCK signal.

6.4.2 SERIAL DATA OUT (SDO)

The Serial Data Out (SDO) signal is the data signal out of the device. The value on this pin is driven on the falling edge of the SCK signal.

Once the \overline{CS} pin is forced to the active level (V_{IL}), the SDO pin is driven. The state of the SDO pin is determined by the serial bit's position in the command, the selected command, and if there is a state of command error (CMDERR).

6.4.3 SERIAL CLOCK (SCK) (SPI FREQUENCY OF OPERATION)

The SPI interface is specified to operate up to 50 MHz for Write commands and 25 MHz for read commands. The actual clock rate depends on the configuration of the system and the serial command used. [Table 6-1](#) shows the SCK frequency for different configurations.

MCP48CXBXX

TABLE 6-1: SCK FREQUENCY

Memory Type Access		Command	
		Read	Write
Nonvolatile Memory	SDI, SDO	25 MHz	50 MHz ⁽¹⁾
Volatile Memory	SDI, SDO	25 MHz	50 MHz ⁽¹⁾

Note 1: After issuing a Write command to the NV locations, the internal write cycle must be completed before the next SPI command addressing the NV locations is received (t_{wc}).

6.4.4 THE \overline{CS} SIGNAL

The \overline{CS} signal is used to select the device and frame a command sequence. To start a command, or sequence of commands, the \overline{CS} signal must transition from the inactive state (V_{IH}) to an active state (V_{IL}).

After the \overline{CS} signal has gone active, the SDO pin is driven and the clock bit counter is reset.

Note: There is a required delay after the \overline{CS} pin goes active to the 1st edge of the SCK pin.

If an error condition occurs for an SPI command, then the Command byte's Command Error (CMDERR) bit (on the SDO pin) will be driven low (V_{IL}). To exit the error condition, the user must take the \overline{CS} pin to the V_{IH} level.

When the \overline{CS} pin returns to the inactive state (V_{IH}), the SPI module resets (including the address pointer). While the \overline{CS} pin is in the inactive state (V_{IH}), the serial interface is ignored. This allows the Host Controller to interface to other SPI devices using the same SDI, SDO, and SCK signals.

6.4.5 THE HVC SIGNAL

The high voltage requirement of the HVC pin for programming MTP registers ensure that a device in normal operation does not corrupt the values.

6.5 Device Memory Address

The memory address is the 5-bit value that specifies the location in the device's memory that the specified command will operate on.

On a POR/BOR event, the device's Memory Address pointer is forced to 00h.

6.6 SPI Modes

The SPI module supports two (of the four) standard SPI modes. These are Mode 0,0 and 1,1. The MCP48CXBXX's SPI mode is automatically determined based on the Master's configured mode.

MCP48CXBXX

6.6.1 OPERATION IN SPI MODE 0,0

In SPI Mode 0,0:

- SCK idle state = Low (V_{IL})
- Data is clocked in on the SDI pin on the rising edge of SCK
- Data is clocked out on the SDO pin on the falling edge of SCK

6.6.2 OPERATION IN SPI MODE 1,1

In SPI Mode 1,1:

- SCK idle state = High (V_{IH})
- Data is clocked in on the SDI pin on the rising edge of SCK
- Data is clocked out on the SDO pin on the falling edge of SCK

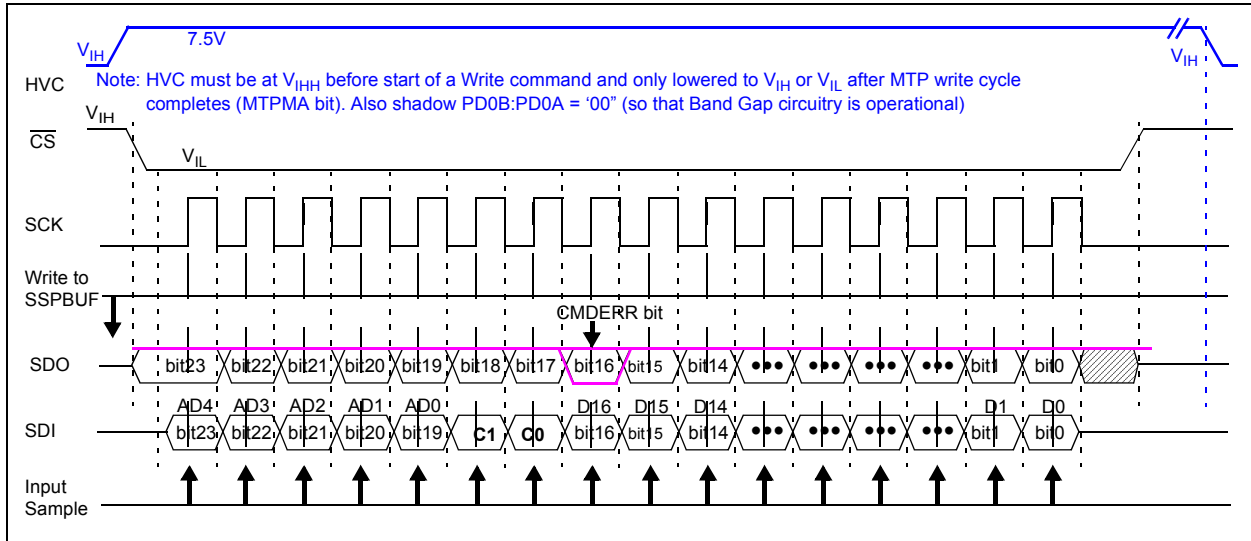


FIGURE 6-2: 24-Bit Commands (Write, Read) - SPI Waveform (Mode 0,0).

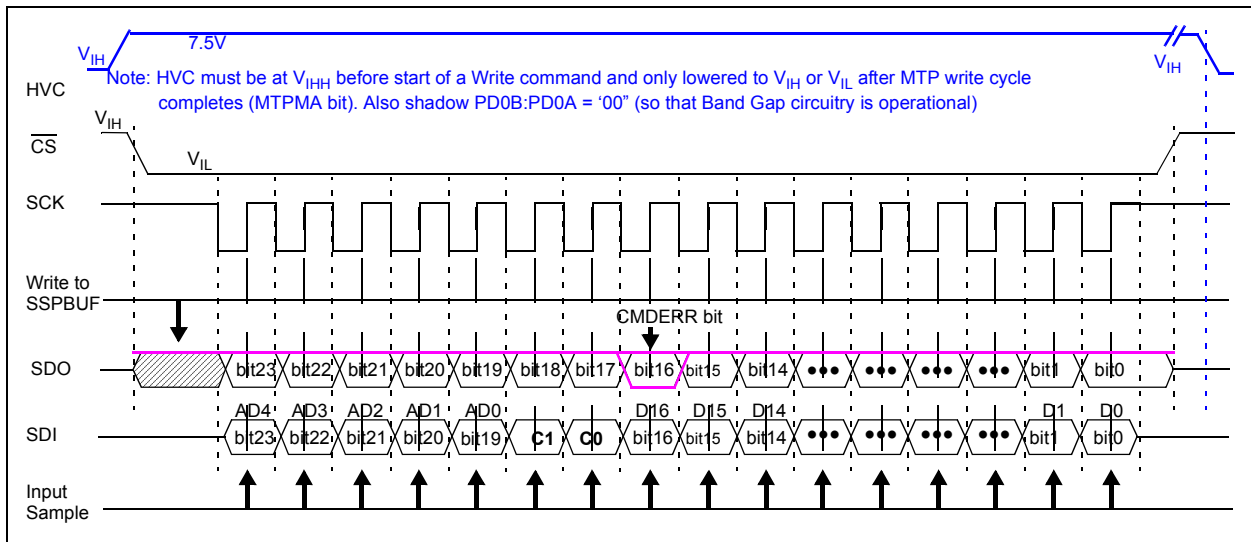


FIGURE 6-3: 24-Bit Commands (Write, Read) - SPI Waveform (Mode 1,1).

MCP48CXBXX

NOTES:

7.0 DEVICE COMMANDS

The MCP48CXBXX's SPI command format supports 32 memory address locations and two commands. The command may have two modes. These are:

- Normal Serial Commands
- MTP Programming (HV) Serial Commands

Normal serial commands are those where the HVC pin is driven to either V_{IH} or V_{IL} . With High-Voltage Serial commands, the HVC pin is driven to 7.5V. These commands are shown in Table 7-1.

Table 7-2 shows an overview of all the SPI commands and their interaction with other device features.

The 24-bit commands (Read Command and Write Command) contain a Command Byte and a Data Word. The Command Byte contains one reserved bit, see Figure 7-1.

TABLE 7-1: COMMAND BITS OVERVIEW

Bit States C1:C0	Command	# of Bits	Normal or HV
11	Read Data	24-Bits	Normal only ⁽¹⁾
00	Write Data	24-Bits	Both
01	Reserved	—	—
10	Reserved	—	—

Note 1: Reading from the NV memory locations will return the shadow RAM value of the NV memory, not the NV memory contents. Once a write cycle starts, no other commands accessing NV memory locations are allowed.

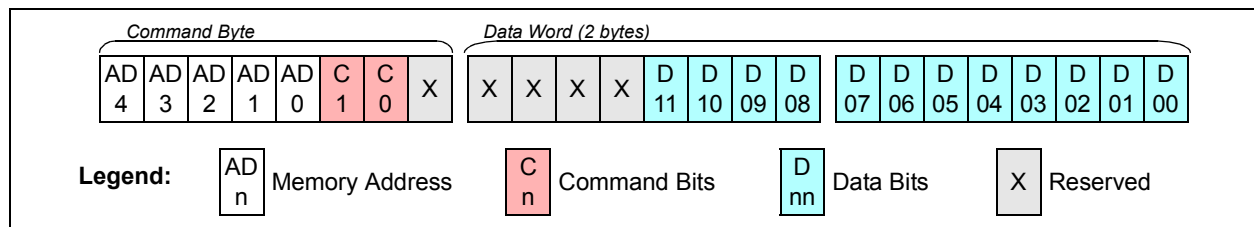


FIGURE 7-1: 24-bit SPI Command Format.

TABLE 7-2: SPI COMMANDS - NUMBER OF CLOCKS

Operation	Command			Mode ⁽¹⁾	# of Bit Clocks ⁽²⁾	Data Update Rate (8-bit/10-bit/12-bit) (Data Words/Second)			Comments
	Code		HV (4,7)			1 MHz	10 MHz	50 MHz	
	C1	C0							
Write Command ^(3,6)	0	0	Y	Single	24	41,666	416,666	2,083,333	
	0	0	N	Continuous	24 * n	41,666	416,666	2,083,333	For 10 data words
Read Command ⁽⁵⁾	1	1	N	Random	24	41,666	416,666	2,083,333	
	1	1	N	Continuous	24 * n	41,666	416,666	2,083,333	For 10 data words

Note 1: Nonvolatile registers can only use the Single mode.

- 2: "n" indicates the number of times the command operation is to be repeated.
- 3: The registers are updated after the 24th clock bit or after the \overline{CS} rising, depending on mode.
- 4: If the state of the HVC pin is V_{IHH} , then the command is ignored, but a Command Error condition (CMDERR) will NOT be generated.
- 5: This command is useful to determine when an MTP programming cycle has completed.
- 6: This command can be either normal voltage or high voltage.
- 7: The MTP write cycle starts after the \overline{CS} rising edge. A High-Voltage command requires the HVC pin to be at V_{IHH} for the entire command, until the completion of the MTP write cycle.

MCP48CXBXX

7.1 Command Byte

The Command Byte has three fields, the Address (5 bits), the Command (2 bits), and 1 Reserved bit, see [Figure 7-1](#).

The device memory is accessed when the master sends a proper Command Byte to select the desired operation. The memory location getting accessed is contained in the Command Byte's AD4:AD0 bits. The action desired is contained in the Command Byte's C1:C0 bits, see [Figure 7-5](#). C1:C0 determines if the desired memory location will be read or written.

As the Command Byte is loaded into the device (on the SDI pin), the device's SDO pin drives. The SDO pin will output high bits for the first seven bits of that command. On the 8th bit, the SDO pin will output the CMDERR bit state.

7.2 Data Bytes

The Read and Write commands use Data Bytes, see [Figure 7-1](#). The D16 bit is currently unused, and corresponds to the position on the SDO data of the CMDERR bit.

7.3 Error Condition

The CMDERR bit indicates if the five address bits received (AD4:AD0) and the two command bits received (C1:C0) are a valid combination. The CMDERR bit is high if the combination is valid and low if the combination is invalid.

The command error bit will also be low if a write to a nonvolatile address has been specified and another SPI command occurs before the $\overline{\text{CS}}$ pin is driven inactive (V_{IH}).

SPI commands that do not have a multiple of 24 clocks are ignored.

Once an error condition has occurred, any following commands are ignored. All following SDO bits will be low until the CMDERR condition is cleared by forcing the $\overline{\text{CS}}$ pin to the Inactive state (V_{IH}) or doing a POR.

7.3.1 ABORTING A TRANSMISSION

All SPI transmissions must have the correct number of SCK pulses to be executed. The command is not executed until the complete number of clocks have been received. Some commands also require the $\overline{\text{CS}}$ pin to be forced inactive (V_{IH}). If the $\overline{\text{CS}}$ pin is forced to the Inactive state (V_{IH}), the serial interface is reset. Partial commands are not executed.

SPI is more susceptible to noise than other bus protocols. The most likely case is that this noise corrupts the value of the data being clocked into the MCP48CXBXX or the SCK pin is injected with extra clock pulses. This may cause data to be corrupted in the device, or a command error to occur, since the address and command bits were not a valid combination. The extra SCK pulse will also cause the SPI data (SDI) and clock (SCK) to be out of sync. Forcing the $\overline{\text{CS}}$ pin to the Inactive state (V_{IH}) resets the serial interface. The SPI interface will ignore activity on the SDI and SCK pins until the $\overline{\text{CS}}$ pin transition to the active state is detected (V_{IH} to V_{IL}).

Note 1: When the MCP48CXBXX does not receive data, it is recommended that the $\overline{\text{CS}}$ pin be forced to the inactive level (V_{IL}).

7.4 Continuous Commands

The device supports the ability to execute commands continuously. While the $\overline{\text{CS}}$ pin is in Active state (V_{IL}), any sequence of valid commands may be received.

The following example is a valid sequence of events:

1. $\overline{\text{CS}}$ pin driven active (V_{IL})
2. Read command
3. Write command (Volatile memory)
4. Write command (Nonvolatile memory)
5. $\overline{\text{CS}}$ pin driven inactive (V_{IH})

Note 1: While the $\overline{\text{CS}}$ pin is active, only one type of command should be issued. When changing commands, it is recommended to take the $\overline{\text{CS}}$ pin inactive then force it back to the active state.

2: Long command strings should be broken down into shorter command strings. This reduces the probability of noise on the SCK pin corrupting the desired SPI command string.

7.5 Write Command

The Write command is a 24-bit command. The Write command can be issued to both the volatile and non-volatile memory locations. The format of the command is shown in [Figure 7-2](#).

A Write command to a volatile memory location changes that location after a properly formatted Write command (24-clock) has been received.

A Write command to a nonvolatile memory location will only start a write cycle after a properly formatted Write command (24-clock) has been received and the $\overline{\text{CS}}$ pin transitions to the Inactive state (V_{IH}).

Note: Writes to volatile memory locations depend on the state of the WiperLock™ Technology bits.

7.5.1 SINGLE WRITE TO VOLATILE MEMORY

The write operation requires that the \overline{CS} pin be in the Active state (V_{IL}). Typically, the \overline{CS} pin is in the Inactive state (V_{IH}) and is driven to the Active state (V_{IL}). The 24-bit Write command (Command Byte and Data Bytes) is then clocked in on the SCK and SDI pins. Once all 24 bits have been received, the specified volatile address is updated. A write will not occur if the Write command isn't exactly 24 clocks pulses. This protects against system issues from corrupting the nonvolatile memory locations.

Figure 7-2 shows the waveform for a single write.

7.5.2 SINGLE WRITE TO NONVOLATILE MEMORY

The sequence to write to a single nonvolatile memory location is the same as a single write to volatile memory with the exception that before the command, the HVC pin must be driven to V_{IHH} . After the command, the \overline{CS} pin is driven inactive (V_{IH}), which then starts the MTP write cycle (t_{wc}). The HVC pin must remain at the V_{IHH} level until the completion of the MTP write cycle.

A write cycle will not start if the write command isn't exactly 24 clock's pulses. This protects against system issues from corrupting the nonvolatile memory locations.

After the \overline{CS} pin is driven inactive (V_{IH}), the serial interface may immediately be re-enabled by driving the \overline{CS} pin to the Active state (V_{IL}).

During an MTP write cycle, only serial commands to volatile memory are accepted. All other serial commands are ignored until the MTP write cycle (t_{wc}) is completed. The MTPMA bit in the Status register indicates the status of an MTP Write Cycle.

Once a Write command to a nonvolatile memory location has been received, NO other SPI commands should be received before the \overline{CS} pin transitions to the Inactive state (V_{IH}) or a Command Error (CMDERR) on the current SPI command occurs.

The write to a Nonvolatile Memory command has the same format as the write to a Volatile Memory command (see Figure 7-2).

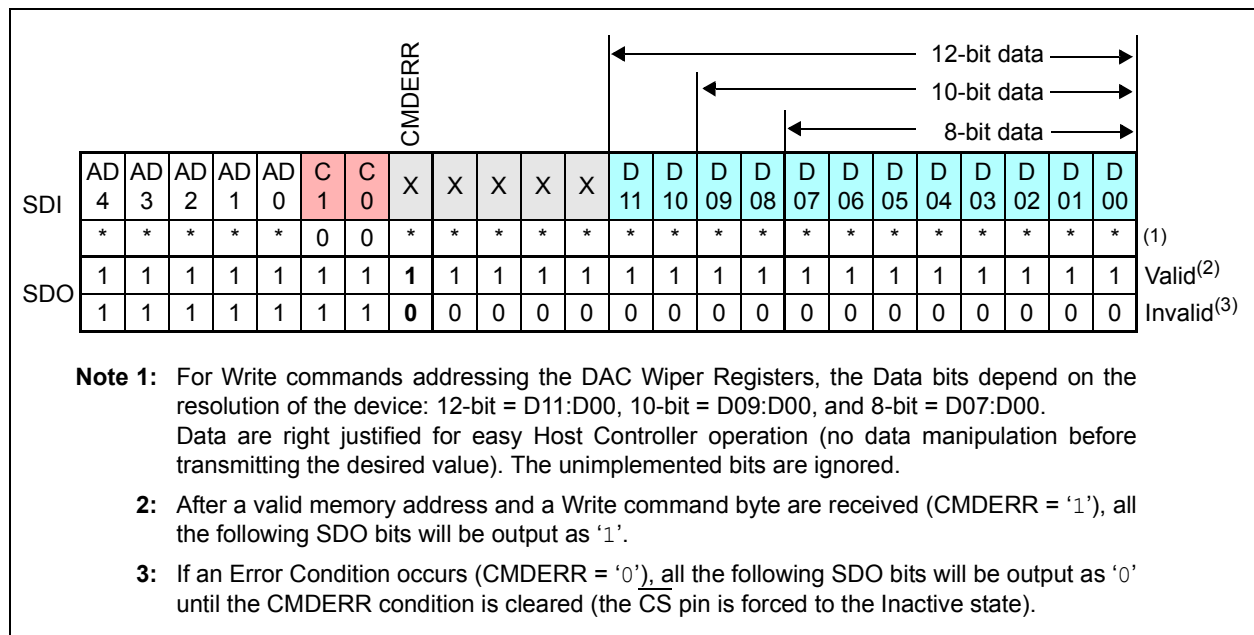


FIGURE 7-2: Write Single Memory Location Command - SDI and SDO States.

MCP48CXBXX

7.5.3 CONTINUOUS WRITES TO VOLATILE MEMORY

Continuous writes are possible only when writing to the volatile memory registers.

Figure 7-3 shows the sequence for three continuous writes. The writes do not need to be to the same volatile memory address.

7.5.4 CONTINUOUS WRITES TO NONVOLATILE MEMORY

Continuous writes to nonvolatile memory are not allowed, and attempts to do so will result in a command error (CMDERR) condition.

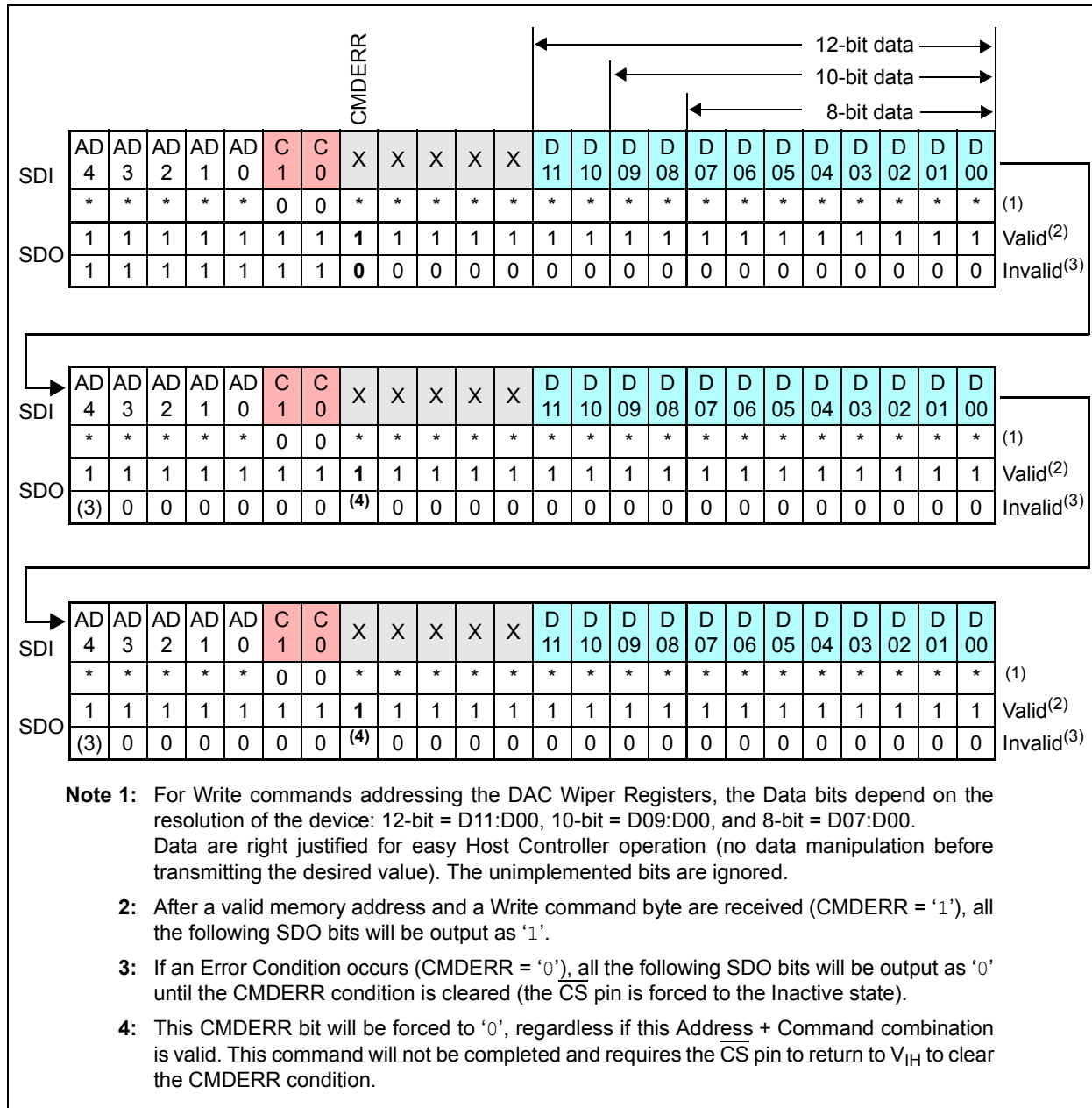


FIGURE 7-3: Continuous Write Sequence (Volatile Memory Only).

7.6 Read Command

The Read command is a 24-bit command. The Read command can be issued to both the volatile and nonvolatile memory locations. The format of the command is shown in Figure 7-4.

The first 7 bits of the Read command determine the address and the command. The 8th clock will output the CMDERR bit on the SDO pin. For the remaining 16 clocks, the device will transmit the data bits of the specified address (AD4:AD0).

Figure 7-4 shows the SDI and SDO information for a Read command.

During an MTP write cycle, the Read command can only be issued to the volatile memory locations. By reading the Status register, the Host Controller can determine when the write cycle has been completed (via the state of the MTPMA bit).

7.6.1 SINGLE READ

The read operation requires that the \overline{CS} pin be in the Active state (V_{IL}). Typically, the \overline{CS} pin will be in the Inactive state (V_{IH}) and is driven to the Active state (V_{IL}). The 24-bit Read command (Command Byte and Data Word) is then clocked in on the SCK and SDI pins. The SDO pin starts driving high (V_{IH}) when the \overline{CS} goes active and starts driving data on the 8th bit (CMDERR bit); the addressed data comes out on the 9th through 24th clocks.

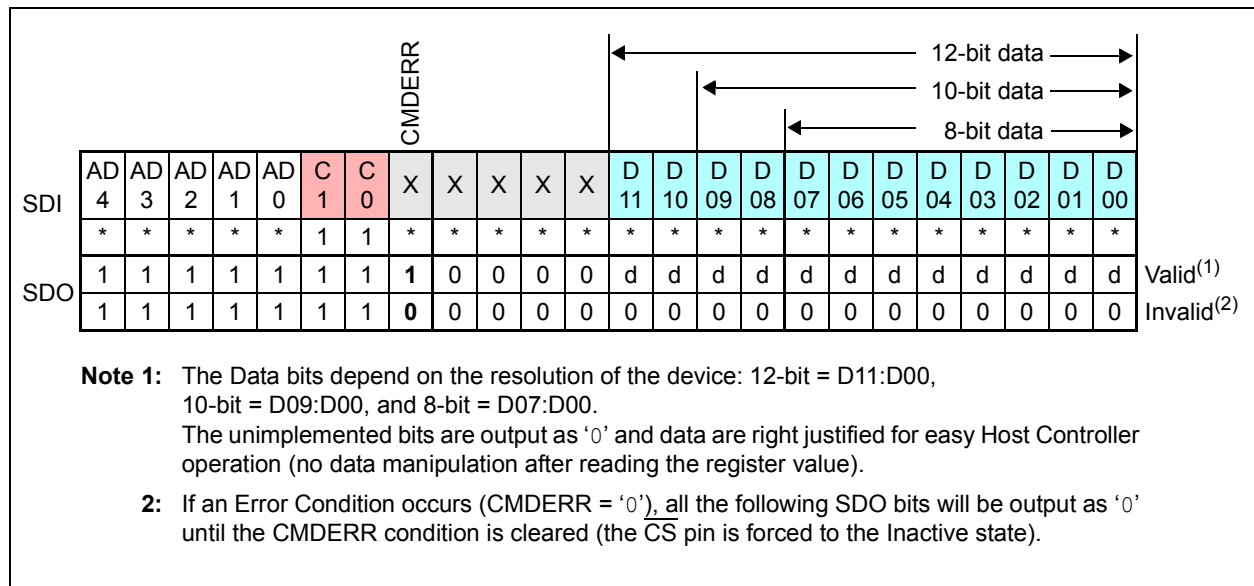


FIGURE 7-4: Read Single Memory Location Command - SDI and SDO States.

MCP48CXBXX

7.6.2 CONTINUOUS READS

Continuous reads allows the devices memory to be read quickly. Continuous reads are possible to all memory locations. Read commands may only access volatile memory locations during an MTP Write Cycle.

Figure 7-5 shows the sequence for three continuous reads. The reads do not need to be to the same memory address.

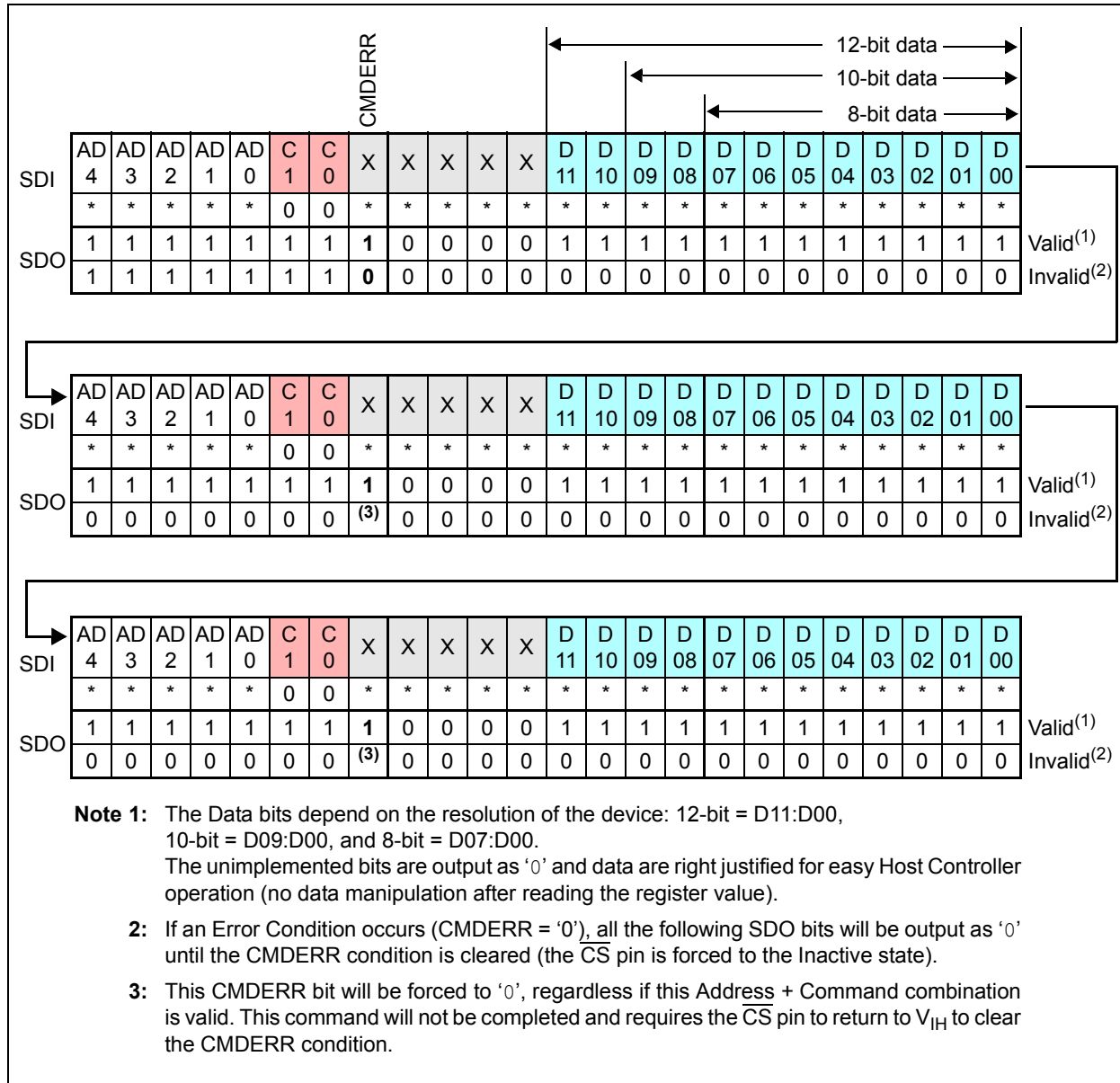


FIGURE 7-5: Continuous Read Sequence.

8.0 TYPICAL APPLICATIONS

The MCP48CXBXX devices are general purpose, single/dual-channel voltage output DACs for various applications where a precision operation with low power is needed.

Applications generally suited for the devices are:

- Set Point or Offset Trimming
- Sensor Calibration
- Portable Instrumentation (Battery-Powered)
- Motor Control

8.1 Design Considerations

In the design of a system with the MCP48CXBXX devices, the following considerations should be taken into account:

- **Power Supply Considerations**
- **Layout Considerations**

8.1.1 POWER SUPPLY CONSIDERATIONS

The power source supplying these devices must be as clean as possible. If the application circuit has separate digital and analog power supplies, V_{DD} and V_{SS} may reside on the analog plane.

The power supply to the device is also used for the DAC voltage reference internally if the internal V_{DD} is selected as the resistor ladder's reference voltage.

The typical application requires a bypass capacitor in order to filter high-frequency noise, which can be induced onto the power supply's traces. The bypass capacitor helps to minimize the effect of these noise sources on signal integrity.

Any noise induced on the V_{DD} line can affect the DAC performance. Typical applications require a bypass capacitor in order to filter out high-frequency noise on the V_{DD} line. The noise can be induced onto the power supply's traces or as a result of changes on the DAC output. The bypass capacitor helps to minimize the effect of these noise sources on signal integrity. Figure 8-1 shows an example of using two bypass capacitors (a 10 μF tantalum capacitor and a 0.1 μF ceramic capacitor) in parallel on the V_{DD} line. These capacitors should be placed as close to the V_{DD} pin as possible (within 4 mm). If the application circuit has separate digital and analog power supplies, the V_{DD} and V_{SS} pins of the device should reside on the analog plane.

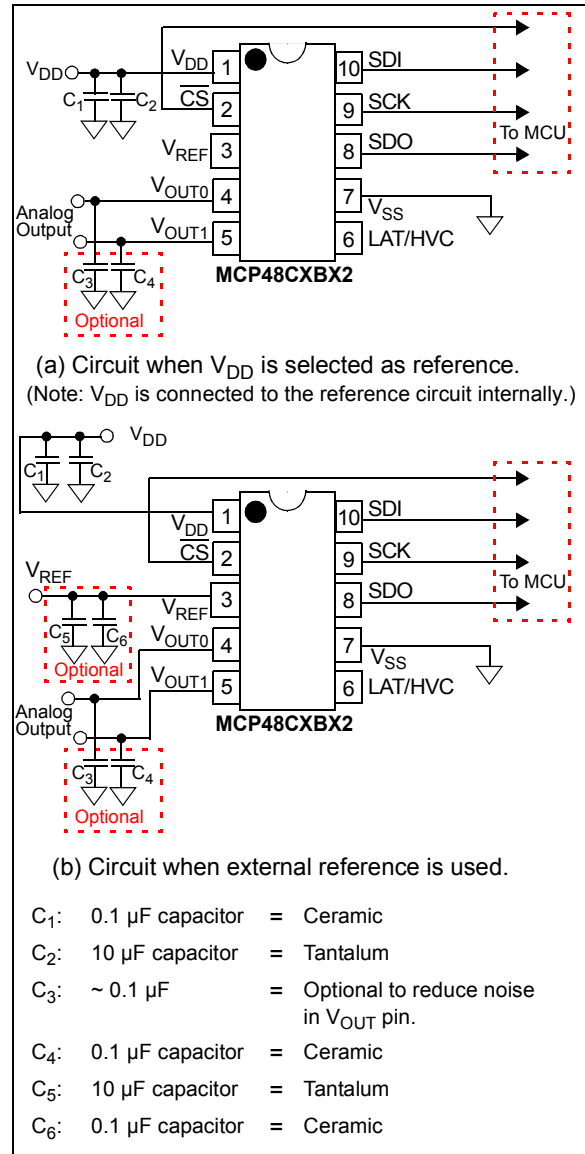


FIGURE 8-1: Example Circuit.

MCP48CXBXX

8.1.2 LAYOUT CONSIDERATIONS

Several layout considerations may be applicable to your application. These may include:

- [Noise](#)
- [PCB Area Requirements](#)

8.1.2.1 Noise

Inductively-coupled AC transients and digital switching noise can degrade the input and output signal integrity, potentially masking the MCP48CXBXX's performance. Careful board layout minimizes these effects and increases the Signal-to-Noise Ratio (SNR). Multilayer boards utilizing a low-inductance ground plane, isolated inputs, isolated outputs and proper decoupling are critical to achieving the performance that the silicon is capable of providing. Particularly harsh environments may require shielding of critical signals.

Separate digital and analog ground planes are recommended. In this case, the V_{SS} pin and the ground pins of the V_{DD} capacitors must be terminated to the analog ground plane.

Note: Breadboards and wire-wrapped boards are not recommended.

8.1.2.2 PCB Area Requirements

In some applications, PCB area is a criteria for device selection. [Table 8-1](#) shows the typical package dimensions and area for the different package options.

TABLE 8-1: PACKAGE FOOTPRINT⁽¹⁾

Package			Package Footprint		
Pins	Type	Code	Dimensions (mm)		Area (mm ²)
			Length	Width	
10	MSOP	UN	3.00	4.90	14.70
10	DFN	MF	3.00	3.00	9.00
16	QFN	MG	3.00	3.00	9.00

Note 1: Does not include recommended land pattern dimensions. Dimensions are typical values.

8.2 Application Examples

The MCP48CXBXX devices are rail-to-rail output DACs designed to operate with a V_{DD} range of 2.7V to 5.5V. The internal output amplifier is robust enough to drive common, small-signal loads directly, thus eliminating the cost and size of the external buffers for most applications. The user can select the gain of 1 or 2 of the output op amp by setting the Configuration register bits. The internal V_{DD} or an external reference can be used. Various user options and easy-to-use features that make the devices suitable for various modern DAC applications.

Application examples include:

- [Decreasing Output Step Size](#)
- [Building a “Window” DAC](#)
- [Bipolar Operation](#)
- [Selectable Gain and Offset Bipolar Voltage Output](#)
- [Designing a Double-Precision DAC](#)
- [Building Programmable Current Source](#)
- [Serial Interface Communication Times](#)
- [Development Support](#)
- [Power Supply Considerations](#)
- [Layout Considerations](#)

8.2.1 DC SET POINT OR CALIBRATION

A common application for the devices is a digitally-controlled set point and/or calibration of variable parameters, such as sensor offset or slope. For example, the MCP48CVB2X provides 4096 output steps. If voltage reference is 4.096V (where $G_X = '0'$), the LSB size is 1 mV. If a smaller output step size is desired, a lower external voltage reference is needed.

8.2.1.1 Decreasing Output Step Size

If the application calibrates the bias voltage of a diode or transistor, a bias voltage range of 0.8V may be desired with about 200 μ V resolution per step. Two common methods to achieve small step size are to use a lower V_{REF} pin voltage or a voltage divider on the DAC's output.

Using an external voltage reference (V_{REF}) is an option if the external reference is available with the desired output voltage range. However, when using a low-voltage reference voltage, occasionally the noise floor causes an SNR error that is intolerable. Using a voltage divider method is another option, and provides some advantages when the external voltage reference needs to be very low, or when the desired output voltage is not available. In this case, a larger value reference voltage is used, while two resistors scale the output range down to the precise desired level.

Figure 8-2 illustrates this concept. A bypass capacitor on the output of the voltage divider plays a critical function in attenuating the output noise of the DAC and the induced noise from the environment.

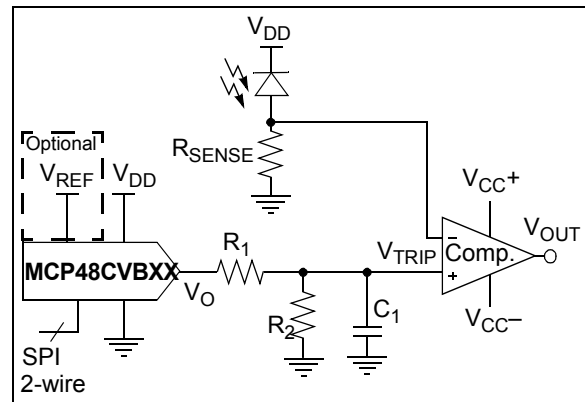


FIGURE 8-2: Example Circuit Of Set Point or Threshold Calibration.

EQUATION 8-1: V_{OUT} AND V_{TRIP} CALCULATIONS

$$V_{OUT} = V_{REF} \cdot G \cdot \frac{DAC \text{ Register Value}}{2^N}$$

$$V_{trip} = V_{OUT} \left(\frac{R_2}{R_1 + R_2} \right)$$

MCP48CXBXX

8.2.1.2 Building a “Window” DAC

When calibrating a set point or threshold of a sensor, typically only a small portion of the DAC output range is utilized. If the LSB size is adequate enough to meet the application’s accuracy needs, the unused range is sacrificed without consequences. If greater accuracy is needed, then the output range will need to be reduced to increase the resolution around the desired threshold.

If the threshold is not near V_{REF} , $2 \cdot V_{REF}$, or V_{SS} , then creating a “window” around the threshold has several advantages. One simple method to create this “window” is to use a voltage divider network with a pull-up and pull-down resistor. [Figure 8-3](#) and [Figure 8-5](#) illustrate this concept.

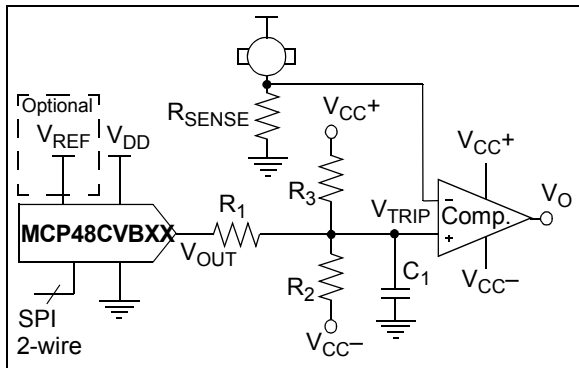


FIGURE 8-3: Single-Supply “Window” DAC.

EQUATION 8-2: V_{OUT} AND V_{TRIP} CALCULATIONS

$$V_{OUT} = V_{REF} \cdot G \cdot \frac{\text{DAC Register Value}}{2^N}$$

$$V_{TRIP} = \frac{V_{OUT}R_{23} + V_{23}R_1}{R_1 + R_{23}}$$

Thevenin Equivalent

$$R_{23} = \frac{R_2R_3}{R_2 + R_3}$$

$$V_{23} = \frac{(V_{CC+}R_2) + (V_{CC-}R_3)}{R_2 + R_3}$$

8.3 Bipolar Operation

Bipolar operation is achievable by utilizing an external operational amplifier. This configuration is desirable due to the wide variety and availability of op amps. This allows a general purpose DAC, with its cost and availability advantages, to meet almost any desired output voltage range, power and noise performance.

[Figure 8-4](#) illustrates a simple bipolar voltage source configuration. R_1 and R_2 allow the gain to be selected, while R_3 and R_4 shift the DAC’s output to a selected offset. Note that R_4 can be tied to V_{DD} instead of V_{SS} if a higher offset is desired.

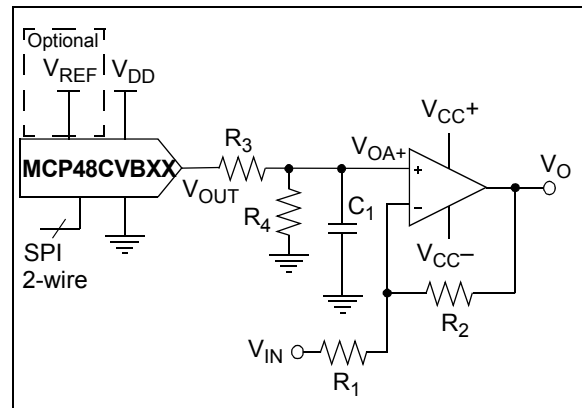


FIGURE 8-4: Digitally-Controlled Bipolar Voltage Source Example Circuit.

EQUATION 8-3: V_{OUT} , V_{OA+} , AND V_O CALCULATIONS

$$V_{OUT} = V_{REF} \cdot G \cdot \frac{\text{DAC Register Value}}{2^N}$$

$$V_{OA+} = \frac{V_{OUT} \cdot R_4}{R_3 + R_4}$$

$$V_O = V_{OA+} \cdot \left(1 + \frac{R_2}{R_1}\right) - V_{DD} \cdot \left(\frac{R_2}{R_1}\right)$$

8.4 Selectable Gain and Offset Bipolar Voltage Output

In some applications, precision digital control of the output range is desirable. Figure 8-5 illustrates how to use the DAC devices to achieve this in a bipolar or single-supply application.

This circuit is typically used for linearizing a sensor whose slope and offset varies.

The equation to design a bipolar “window” DAC would be utilized if R_3 , R_4 and R_5 are populated.

8.4.1 BIPOLAR DAC EXAMPLE

An output step size of 1 mV, with an output range of $\pm 2.05V$, is desired for a particular application.

Step 1: Calculate the range: $+2.05V - (-2.05V) = 4.1V$

Step 2: Calculate the resolution needed:

$$4.1V/1\text{ mV} = 4100$$

Since $2^{12} = 4096$, 12-bit resolution is desired.

Step 3: The amplifier gain (R_2/R_1), multiplied by full-scale V_{OUT} (4.096V), must be equal to the desired minimum output to achieve bipolar operation. Since any gain can be realized by choosing resistor values ($R_1 + R_2$), the V_{REF} value must be selected first. If a V_{REF} of 4.096V is used, solve for the amplifier's gain by setting the DAC to 0, knowing that the output needs to be -2.05V.

The equation can be simplified to:

EQUATION 8-4:

$$\frac{-R_2}{R_1} = \frac{-2.05}{4.096V} \quad \frac{R_2}{R_1} = \frac{1}{2}$$

If $R_1 = 20\text{ k}\Omega$ and $R_2 = 10\text{ k}\Omega$, the gain will be 0.5.

Step 4: Next, solve for R_3 and R_4 by setting the DAC to 4096, knowing that the output needs to be +2.05V.

EQUATION 8-5:

$$\frac{R_4}{(R_3 + R_4)} = \frac{2.05V + (0.5 \cdot 4.096V)}{1.5 \cdot 4.096V} = \frac{2}{3}$$

If $R_4 = 20\text{ k}\Omega$, then $R_3 = 10\text{ k}\Omega$

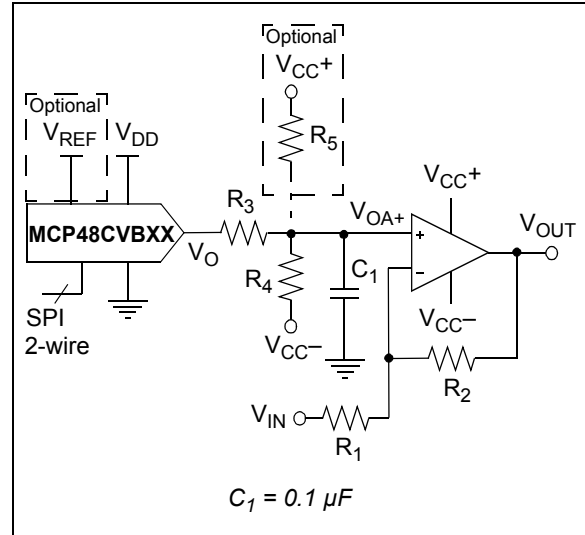


FIGURE 8-5: Bipolar Voltage Source with Selectable Gain and Offset.

EQUATION 8-6: V_{OUT} , V_{OA+} , AND V_O CALCULATIONS

$$V_{OUT} = V_{REF} \cdot G \cdot \frac{\text{DAC Register Value}}{2^N}$$

$$V_{OA+} = \frac{V_{OUT} \cdot R_4 + V_{CC+} \cdot R_5}{R_3 + R_4}$$

$$V_O = \underbrace{V_{OA+} \cdot \left(1 + \frac{R_2}{R_1}\right)}_{\text{Offset Adjust}} - \underbrace{V_{IN} \cdot \left(\frac{R_2}{R_1}\right)}_{\text{Gain Adjust}}$$

EQUATION 8-7: BIPOLAR “WINDOW” DAC USING R_4 AND R_5

$$\text{Thevenin Equivalent} \left\{ \begin{aligned} V_{45} &= \frac{V_{CC+}R_4 + V_{CC-}R_5}{R_4 + R_5} \end{aligned} \right.$$

$$V_{IN+} = \frac{V_{OUT}R_4 + V_{45}R_3}{R_3 + R_4}$$

$$R_{45} = \frac{R_4R_5}{R_4 + R_5}$$

$$V_O = \underbrace{V_{IN+} \left(1 + \frac{R_2}{R_1}\right)}_{\text{Offset Adjust}} - \underbrace{V_{45} \left(\frac{R_2}{R_1}\right)}_{\text{Gain Adjust}}$$

MCP48CXBXX

8.5 Designing a Double-Precision DAC

Figure 8-6 shows an example design of a single-supply voltage output capable of up to 24-bit resolution. This requires two 12-bit DACs. This design is simply a voltage divider with a buffered output.

As an example, if a similar application to the one developed in Section 8.4.1 “Bipolar DAC Example” required a resolution of 1 μ V instead of 1 mV, and a range of 0V to 4.1V, then a 12-bit resolution would not be adequate.

Step 1: Calculate the resolution needed:

$4.1V/1 \mu V = 4.1 \times 10^6$
 Since $2^{22} = 4.2 \times 10^6$, a 22-bit resolution is desired. Since $DNL = \pm 1.0$ LSB, this design can be attempted with the 12-bit DAC.

Step 2: Since DAC1's V_{OUT1} has a resolution of 1 mV, its output only needs to be “pulled” 1/1000 to meet the 1 μ V target. Dividing V_{OUT0} by 1000 would allow the application to compensate for DAC1's DNL error.

Step 3: If R_2 is 100 Ω , then R_1 needs to be 100 k Ω .

Step 4: The resulting transfer function is shown in Equation 8-8.

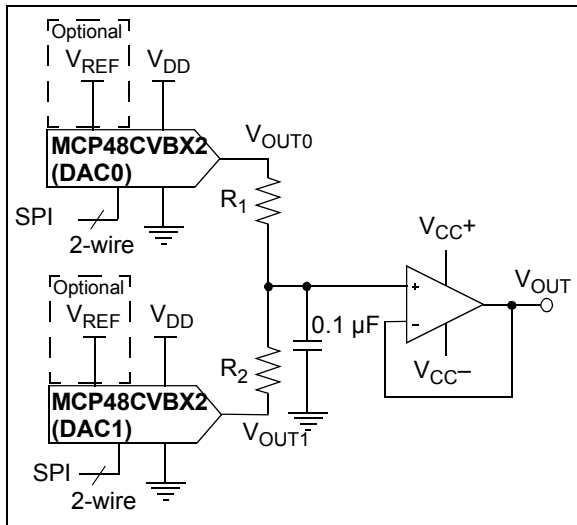


FIGURE 8-6: Simple Double Precision DAC Using MCP48CVBX2.

EQUATION 8-8: V_{OUT} CALCULATION

$$V_{OUT} = \frac{V_{OUT0} * R_2 + V_{OUT1} * R_1}{R_1 + R_2}$$

Where:

$$V_{OUT0} = (V_{REF} * G * \text{DAC0 register value})/4096$$

$$V_{OUT1} = (V_{REF} * G * \text{DAC1 register value})/4096$$

GX = Selected Op Amp Gain

8.6 Building Programmable Current Source

Figure 8-7 shows an example of building a programmable current source using a voltage follower. The current sensor resistor is used to convert the DAC voltage output into a digitally-selectable current source.

The smaller R_{SENSE} is, the less power is dissipated across it. However, this also reduces the resolution that the current can be controlled at.

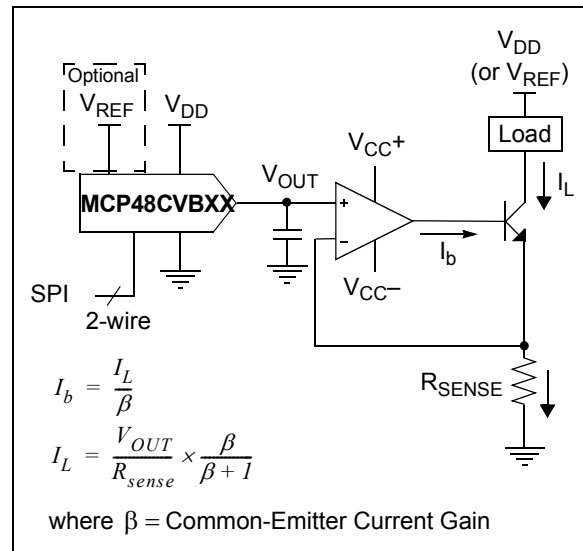


FIGURE 8-7: Digitally-Controlled Current Source.

8.7 Serial Interface Communication Times

Table 7-2 shows the time/frequency of the supported operations of the SPI Serial Interface for the different serial interface operational frequencies. This, along with the V_{OUT} output performance (such as slew rate), would be used to determine your application's volatile DAC register update rate.

9.0 DEVELOPMENT SUPPORT

Development support can be classified into two groups:

- [Development Tools](#)
- [Technical Documentation](#)

9.1 Development Tools

Several development tools are available to assist in the design and evaluation of the MCP48CXBXX devices. The currently available tools are shown in [Table 9-1](#).

[Figure 9-1](#) shows how the ADM00309 bond-out PCB can be populated to easily evaluate the MCP48CXBXX devices. Device evaluation can use the PICKit™ Serial Analyzer to control the DAC output registers and state of the Configuration, Control and Status register.

The ADM00309 boards may be purchased directly from the Microchip web site at www.microchip.com.

9.2 Technical Documentation

Several additional technical documents for design and development are available. These technical documents include Application Notes, Technical Briefs, and Design Guides. [Table 9-2](#) lists some of these documents.

TABLE 9-1: DEVELOPMENT TOOLS (Note 1)

Board Name	Part #	Comment
MSOP-8 and MSOP-10 Evaluation Board	ADM00309	The MSOP-10 and MSOP-8 Evaluation Board is a bond-out board that allows the system designer to quickly evaluate the operation of Microchip Technology's devices in any of the following packages: <ul style="list-style-type: none"> • MSOP (8/10-pin) • DIP (10-pin)

Note 1: Supports the PICKit™ Serial Analyzer. See the User's Guide for additional information and requirements.

TABLE 9-2: TECHNICAL DOCUMENTATION

Application Note Number	Title	Literature #
AN1326	Using the MCP4728 12-Bit DAC for LDMOS Amplifier Bias Control Applications	DS01326
—	Signal Chain Design Guide	DS21825
—	Analog Solutions for Automotive Applications Design Guide	DS01005

MCP48CXBXX

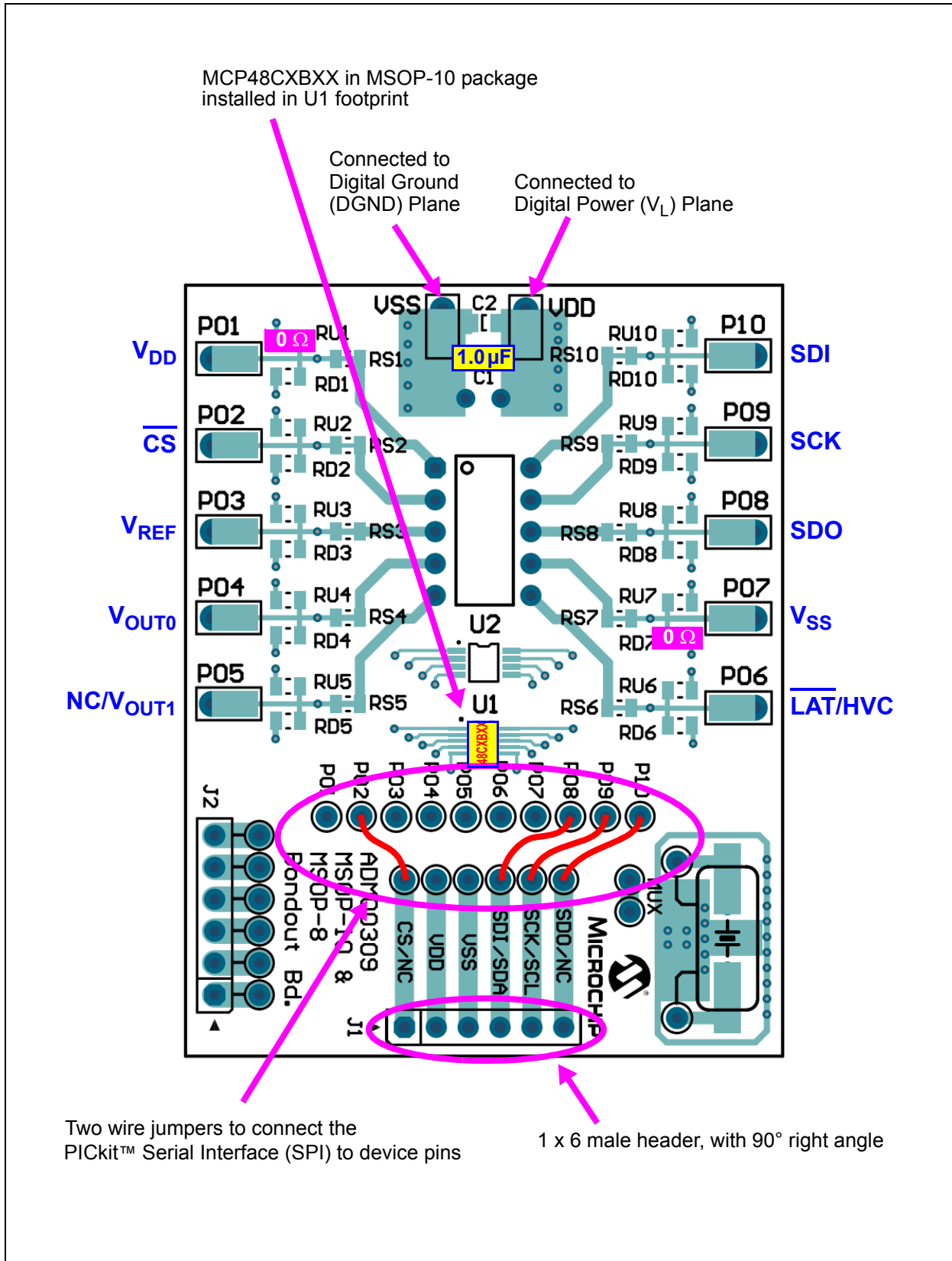


FIGURE 9-1: MCP48CXBXX Evaluation Board Circuit Using ADM00309.

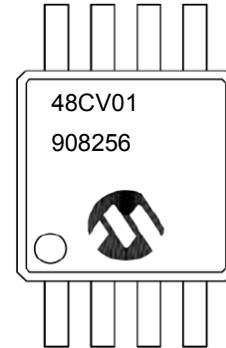
10.0 PACKAGING INFORMATION

10.1 Package Marking Information

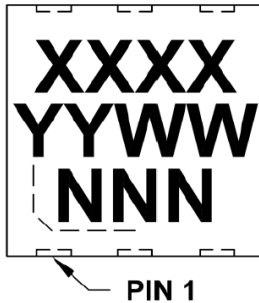
10-Lead MSOP



Example

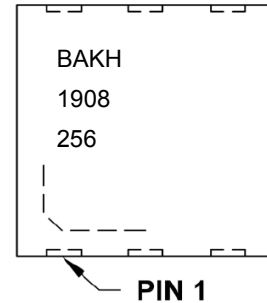


10-Lead 3 x 3 mm DFN



Part Number	Code
MCP48CVB01-E/MF	BAKH
MCP48CVB11-E/MF	BAKL
MCP48CVB21-E/MF	BAKN
MCP48CVB02-E/MF	BAKJ
MCP48CVB12-E/MF	BAKM
MCP48CVB22-E/MF	BAKP
MCP48CMB01-E/MF	BAKB
MCP48CMB11-E/MF	BAKD
MCP48CMB21-E/MF	BAKF
MCP48CMB02-E/MF	BAKC
MCP48CMB12-E/MF	BAKE
MCP48CMB22-E/MF	BAKG

Example



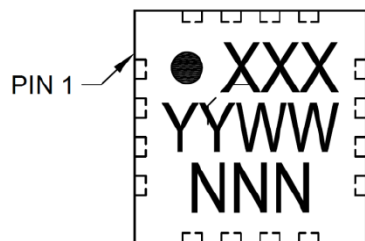
Legend:	XX...X	Customer-specific information
	Y	Year code (last digit of calendar year)
	YY	Year code (last 2 digits of calendar year)
	WW	Week code (week of January 1 is week '01')
	NNN	Alphanumeric traceability code
	(e3)	Pb-free JEDEC designator for Matte Tin (Sn)
	*	This package is Pb-free. The Pb-free JEDEC designator (e3) can be found on the outer packaging for this package.

Note: In the event the full Microchip part number cannot be marked on one line, it will be carried over to the next line, thus limiting the number of available characters for customer-specific information.

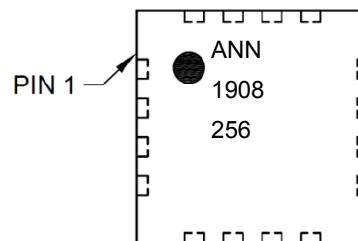
MCP48CXBXX

16-Lead 3 x 3 mm QFN

Example



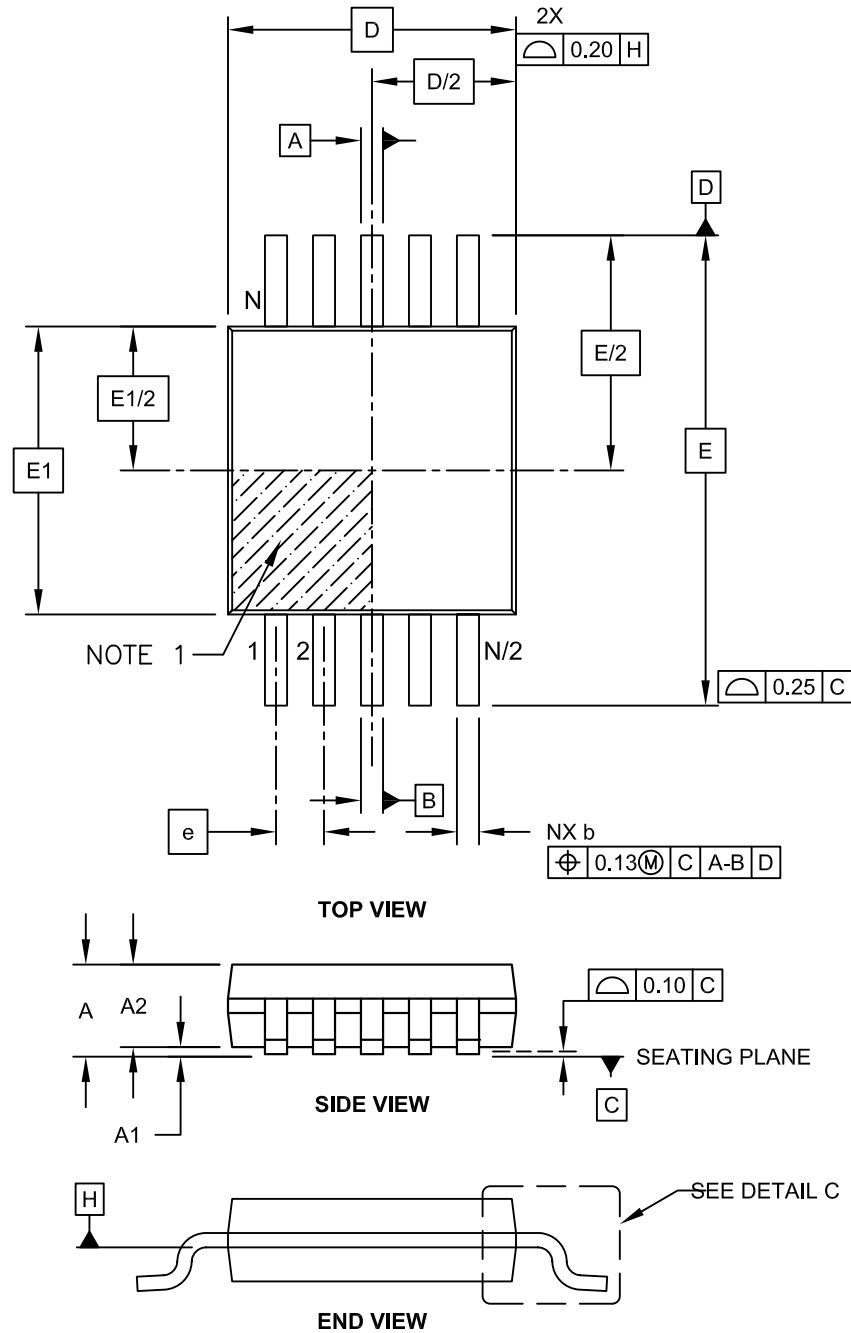
Part Number	Code
MCP48CVB01-E/MG	ANN
MCP48CVB11-E/MG	APP
MCP48CVB21-E/MG	ARR
MCP48CVB02-E/MG	AAK
MCP48CVB12-E/MG	AAL
MCP48CVB22-E/MG	AAM
MCP48CMB01-E/MG	AKK
MCP48CMB11-E/MG	ALL
MCP48CMB21-E/MG	AMM
MCP48CMB02-E/MG	AAG
MCP48CMB12-E/MG	AAH
MCP48CMB22-E/MG	AAJ



MCP48CXBXX

10-Lead Plastic Micro Small Outline Package (UN) [MSOP]

Note: For the most current package drawings, please see the Microchip Packaging Specification located at <http://www.microchip.com/packaging>

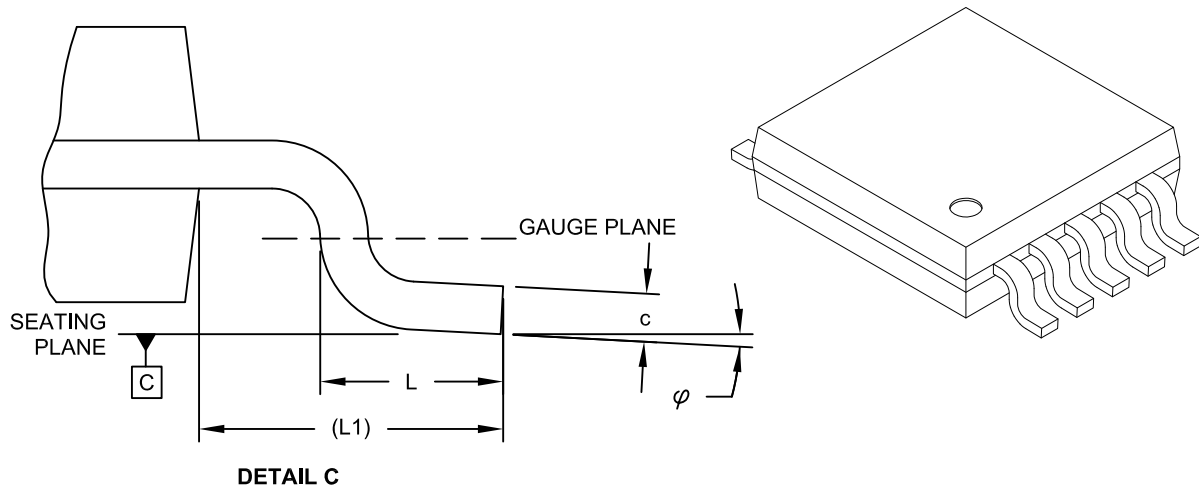


Microchip Technology Drawing C04-021C Sheet 1 of 2

MCP48CXBXX

10-Lead Plastic Micro Small Outline Package (UN) [MSOP]

Note: For the most current package drawings, please see the Microchip Packaging Specification located at <http://www.microchip.com/packaging>



Dimension Limits	Units	MILLIMETERS		
		MIN	NOM	MAX
Number of Pins	N	10		
Pitch	e	0.50 BSC		
Overall Height	A	-	-	1.10
Molded Package Thickness	A2	0.75	0.85	0.95
Standoff	A1	0.00	-	0.15
Overall Width	E	4.90 BSC		
Molded Package Width	E1	3.00 BSC		
Overall Length	D	3.00 BSC		
Foot Length	L	0.40	0.60	0.80
Footprint	L1	0.95 REF		
Foot Angle	ϕ	0°	-	8°
Lead Thickness	c	0.08	-	0.23
Lead Width	b	0.15	-	0.33

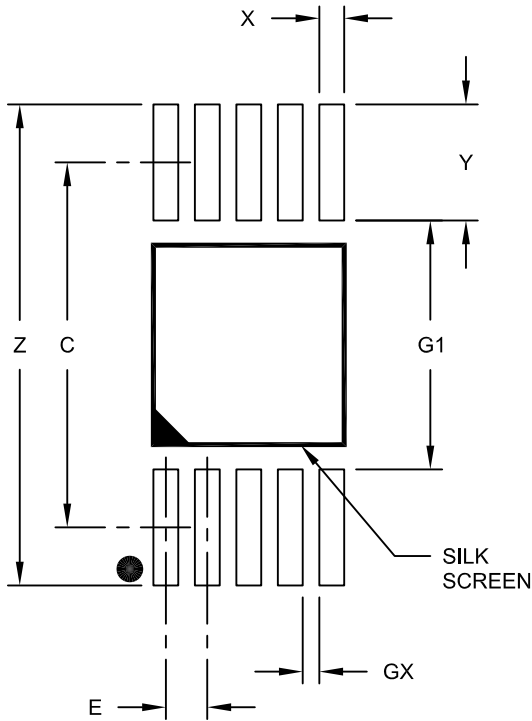
Notes:

- Pin 1 visual index feature may vary, but must be located within the hatched area.
- Dimensions D and E1 do not include mold flash or protrusions. Mold flash or protrusions shall not exceed 0.15mm per side.
- Dimensioning and tolerancing per ASME Y14.5M.
BSC: Basic Dimension. Theoretically exact value shown without tolerances.
REF: Reference Dimension, usually without tolerance, for information purposes only.

Microchip Technology Drawing C04-021C Sheet 2 of 2

10-Lead Plastic Micro Small Outline Package (UN) [MSOP]

Note: For the most current package drawings, please see the Microchip Packaging Specification located at <http://www.microchip.com/packaging>



RECOMMENDED LAND PATTERN

Dimension Limits	Units	MILLIMETERS		
		MIN	NOM	MAX
Contact Pitch	E	0.50 BSC		
Contact Pad Spacing	C		4.40	
Overall Width	Z			5.80
Contact Pad Width (X10)	X1			0.30
Contact Pad Length (X10)	Y1			1.40
Distance Between Pads	G1	3.00		
Distance Between Pads	GX	0.20		

Notes:

1. Dimensioning and tolerancing per ASME Y14.5M

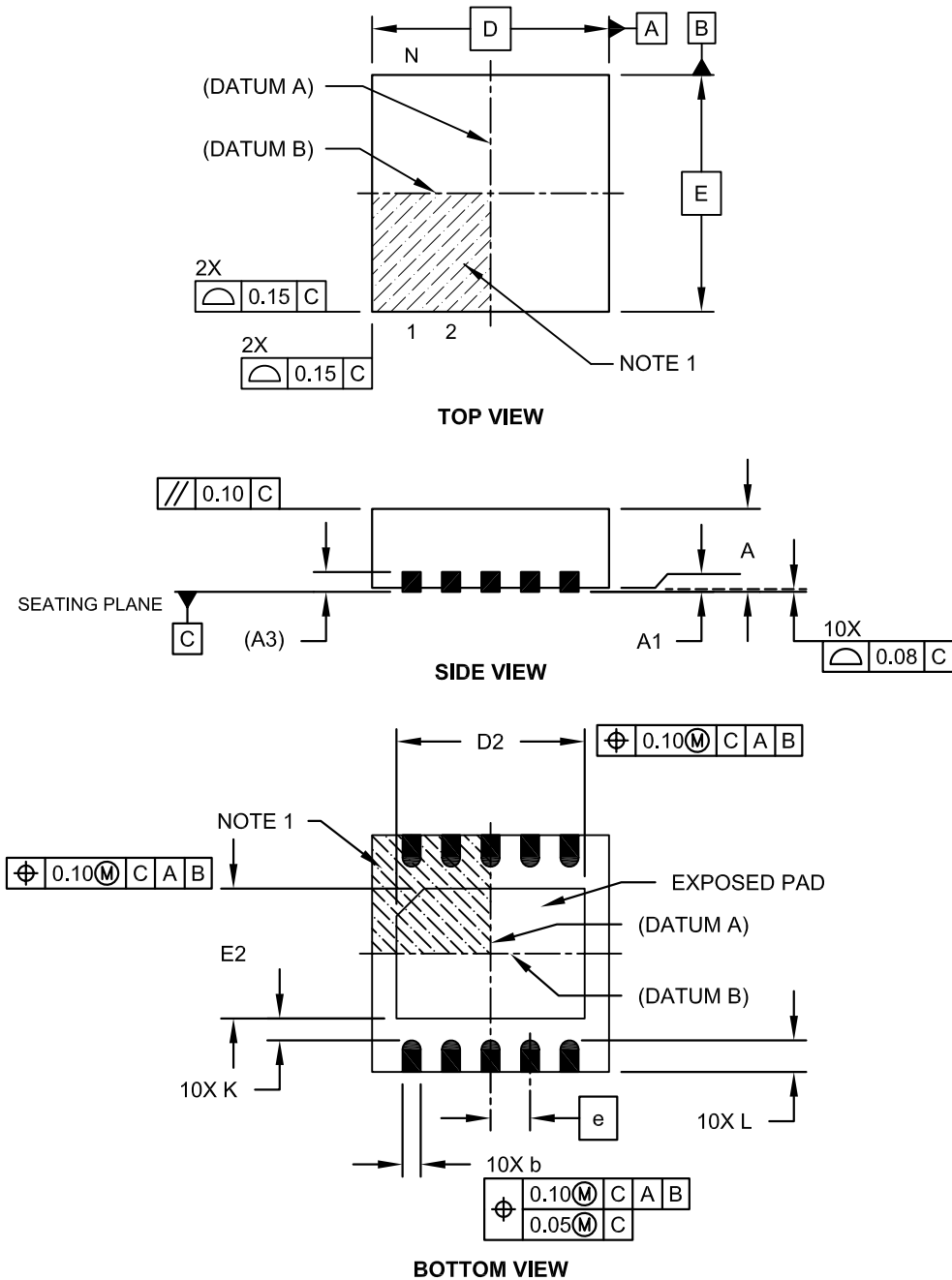
BSC: Basic Dimension. Theoretically exact value shown without tolerances.

Microchip Technology Drawing No. C04-2021A

MCP48CXBXX

10-Lead Plastic Dual Flat, No Lead Package (MF) - 3x3x0.9mm Body [DFN]

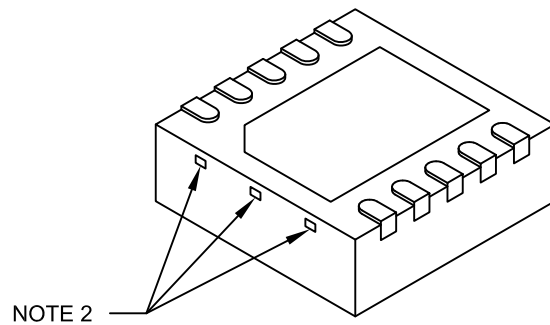
Note: For the most current package drawings, please see the Microchip Packaging Specification located at <http://www.microchip.com/packaging>



Microchip Technology Drawing No. C04-063C Sheet 1 of 2

10-Lead Plastic Dual Flat, No Lead Package (MF) - 3x3x0.9mm Body [DFN]

Note: For the most current package drawings, please see the Microchip Packaging Specification located at <http://www.microchip.com/packaging>



Dimension Limits	Units	MILLIMETERS		
		MIN	NOM	MAX
Number of Pins	N	10		
Pitch	e	0.50 BSC		
Overall Height	A	0.80	0.90	1.00
Standoff	A1	0.00	0.02	0.05
Contact Thickness	A3	0.20 REF		
Overall Length	D	3.00 BSC		
Exposed Pad Length	D2	2.15	2.35	2.45
Overall Width	E	3.00 BSC		
Exposed Pad Width	E2	1.40	1.50	1.75
Contact Width	b	0.18	0.25	0.30
Contact Length	L	0.30	0.40	0.50
Contact-to-Exposed Pad	K	0.20	-	-

Notes:

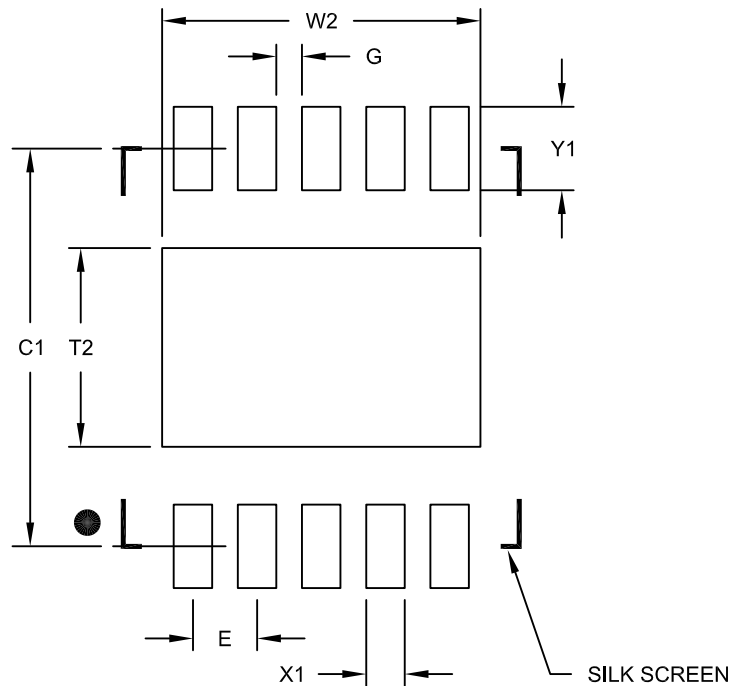
1. Pin 1 visual index feature may vary, but must be located within the hatched area.
2. Package may have one or more exposed tie bars at ends.
3. Package is saw singulated.
4. Dimensioning and tolerancing per ASME Y14.5M.
 - BSC: Basic Dimension. Theoretically exact value shown without tolerances.
 - REF: Reference Dimension, usually without tolerance, for information purposes only.

Microchip Technology Drawing No. C04-063C Sheet 2 of 2

MCP48CXBXX

10-Lead Plastic Dual Flat, No Lead Package (MF) - 3x3x0.9mm Body [DFN]

Note: For the most current package drawings, please see the Microchip Packaging Specification located at <http://www.microchip.com/packaging>



RECOMMENDED LAND PATTERN

Dimension Limits	Units	MILLIMETERS		
		MIN	NOM	MAX
Contact Pitch	E	0.50 BSC		
Optional Center Pad Width	W2			2.48
Optional Center Pad Length	T2			1.55
Contact Pad Spacing	C1		3.10	
Contact Pad Width (X10)	X1			0.30
Contact Pad Length (X10)	Y1			0.65
Distance Between Pads	G	0.20		

Notes:

1. Dimensioning and tolerancing per ASME Y14.5M

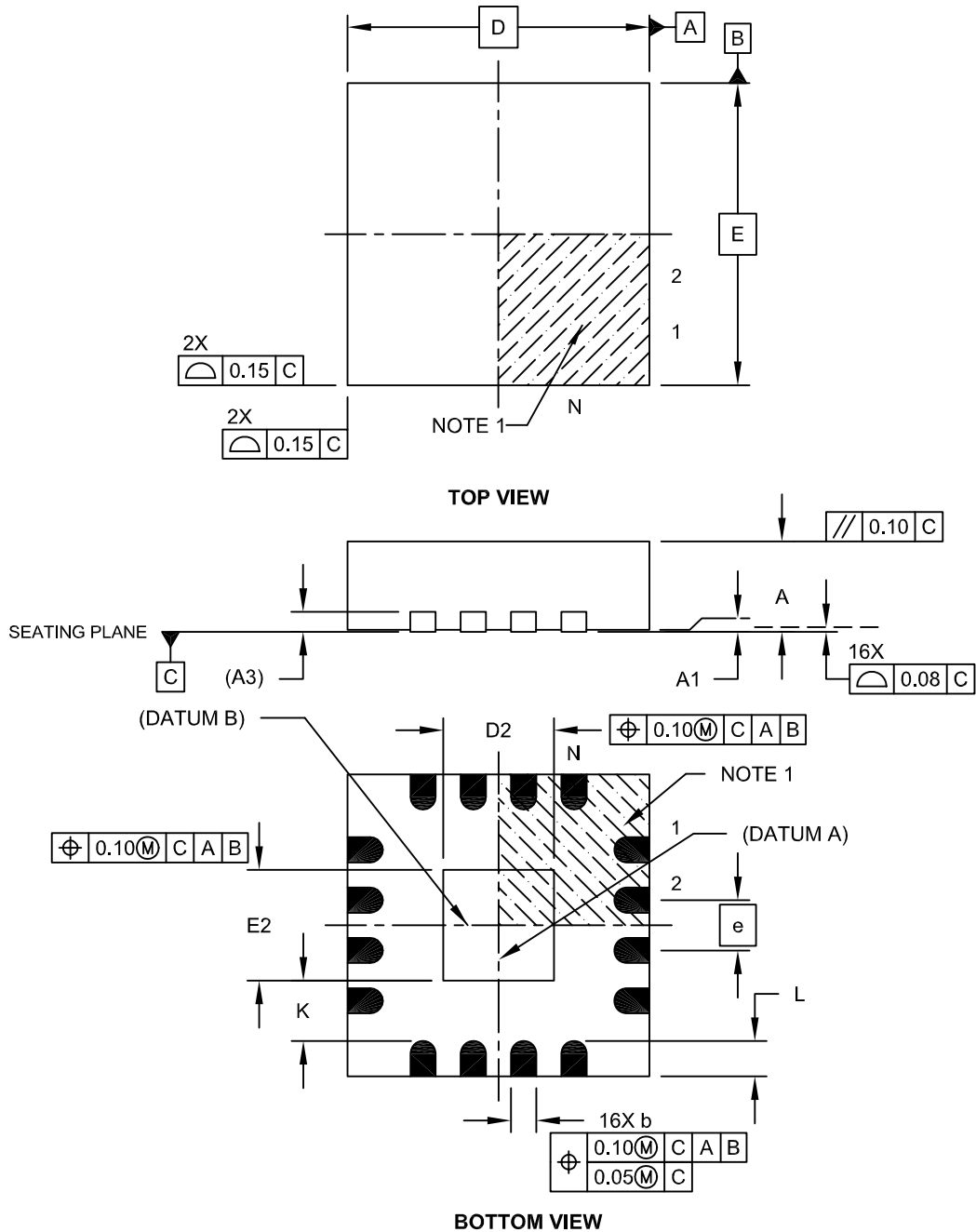
BSC: Basic Dimension. Theoretically exact value shown without tolerances.

Microchip Technology Drawing No. C04-2063B

MCP48CXBXX

16-Lead Plastic Quad Flat, No Lead Package (MG) - 3x3x0.9 mm Body [QFN]

Note: For the most current package drawings, please see the Microchip Packaging Specification located at <http://www.microchip.com/packaging>

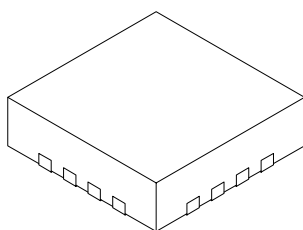


Microchip Technology Drawing C04-142A Sheet 1 of 2

MCP48CXBXX

16-Lead Plastic Quad Flat, No Lead Package (MG) - 3x3x0.9 mm Body [QFN]

Note: For the most current package drawings, please see the Microchip Packaging Specification located at <http://www.microchip.com/packaging>



Dimension Limits	Units	MILLIMETERS		
		MIN	NOM	MAX
Number of Pins	N	16		
Pitch	e	0.50 BSC		
Overall Height	A	0.80	0.85	0.90
Standoff	A1	0.00	0.02	0.05
Contact Thickness	A3	0.20 REF		
Overall Width	E	3.00 BSC		
Exposed Pad Width	E2	1.00	1.10	1.50
Overall Length	D	3.00 BSC		
Exposed Pad Length	D2	1.00	1.10	1.50
Contact Width	b	0.18	0.25	0.30
Contact Length	L	0.25	0.35	0.45
Contact-to-Exposed Pad	K	0.20	-	-

Notes:

1. Pin 1 visual index feature may vary, but must be located within the hatched area.
2. Package is saw singulated.
3. Dimensioning and tolerancing per ASME Y14.5M.

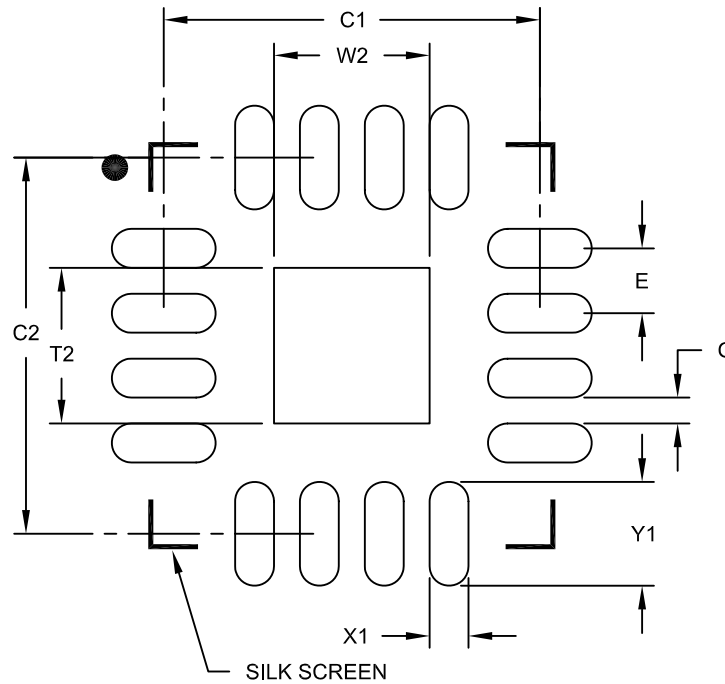
BSC: Basic Dimension. Theoretically exact value shown without tolerances.

REF: Reference Dimension, usually without tolerance, for information purposes only.

Microchip Technology Drawing C04-142A Sheet 2 of 2

16-Lead Plastic Quad Flat, No Lead Package (MG) – 3x3x0.9 mm Body [QFN]

Note: For the most current package drawings, please see the Microchip Packaging Specification located at <http://www.microchip.com/packaging>



RECOMMENDED LAND PATTERN

Dimension Limits	Units	MILLIMETERS		
		MIN	NOM	MAX
Contact Pitch	E	0.50 BSC		
Optional Center Pad Width	W2			1.20
Optional Center Pad Length	T2			1.20
Contact Pad Spacing	C1		2.90	
Contact Pad Spacing	C2		2.90	
Contact Pad Width (X16)	X1			0.30
Contact Pad Length (X16)	Y1			0.80
Distance Between Pads	G	0.20		

Notes:

1. Dimensioning and tolerancing per ASME Y14.5M

BSC: Basic Dimension. Theoretically exact value shown without tolerances.

Microchip Technology Drawing No. C04-2142A

MCP48CXBXX

NOTES:

APPENDIX A: REVISION HISTORY

Revision A (February 2019)

- Original release of this document.

MCP48CXBXX

NOTES:

APPENDIX B: TERMINOLOGY

B.1 Resolution

The resolution is the number of DAC output states that divide the full-scale range. For the 12-bit DAC, the resolution is 2^{12} , meaning the DAC code ranges from 0 to 4095.

Note: When there are 2^N resistors in the resistor ladder and 2^N tap points, the full-scale DAC register code is the resistor element (1 LSb) from the source reference voltage (V_{DD} or V_{REF}).

B.2 Least Significant Bit (LSb)

This is the voltage difference between two successive codes. For a given output voltage range, it is divided by the resolution of the device (Equation B-1). The range may be V_{DD} (or V_{REF}) to V_{SS} (ideal), the DAC register codes across the linear range of the output driver (Measured 1), or full-scale to zero-scale (Measured 2).

EQUATION B-1: LSb VOLTAGE CALCULATION

Ideal:

$$V_{LSb(IDEAL)} = \frac{V_{DD}}{2^N} \text{ or } \frac{V_{REF}}{2^N}$$

Measured 1 (12-bit device):

$$V_{LSb(Measured)} = \frac{V_{OUT(@4032)} - V_{OUT(@64)}}{(4032 - 64)}$$

Measured 2:

$$V_{LSb} = \frac{V_{OUT(@FS)} - V_{OUT(@ZS)}}{2^N - 1}$$

$$\begin{aligned} 2^N &= 4096 \text{ (MCP48CXB2X)} \\ &= 1024 \text{ (MCP48CXB1X)} \\ &= 256 \text{ (MCP48CXB0X)} \end{aligned}$$

B.3 Monotonic Operation

The monotonic operation means that the device's output voltage (V_{OUT}) increases with every 1 code step (LSb) increment (from V_{SS} to the DAC's reference voltage (V_{DD} or V_{REF})).

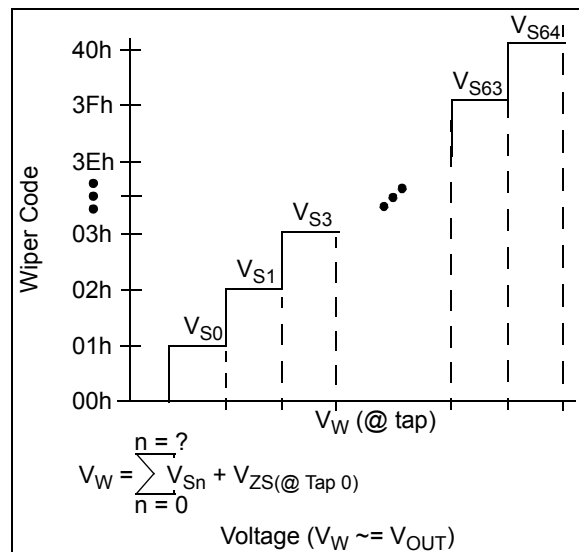


FIGURE B-1: V_W (V_{OUT}).

B.4 Full-Scale Error (E_{FS})

The Full-Scale Error (see Figure B-3) is the error on the V_{OUT} pin relative to the expected V_{OUT} voltage (theoretical) for the maximum device DAC register code (code FFFh for 12-bit, code 3FFh for 10-bit, and code FFh for 8-bit) (see Equation B-2). The error is dependent on the resistive load on the V_{OUT} pin (and where that load is tied to, such as V_{SS} or V_{DD}). For loads (to V_{SS}) greater than specified, the full-scale error will be greater.

The error in bits is determined by the theoretical voltage step size to give an error in LSb.

EQUATION B-2: FULL-SCALE ERROR

$$E_{FS} = \frac{V_{OUT(@FS)} - V_{IDEAL(@FS)}}{V_{LSb(IDEAL)}}$$

Where:

E_{FS} is expressed in LSb

$V_{OUT(@FS)}$ is the V_{OUT} voltage when the DAC register code is at full-scale.

$V_{IDEAL(@FS)}$ is the ideal output voltage when the DAC register code is at full-scale.

$V_{LSb(IDEAL)}$ is the theoretical voltage step size.

MCP48CXBXX

B.5 Zero-Scale Error (E_{ZS})

The Zero-Scale Error (see [Figure B-2](#)) is the difference between the ideal and measured V_{OUT} voltage with the DAC register code equal to 000h ([Equation B-3](#)). The error is dependent on the resistive load on the V_{OUT} pin (and where that load is tied to, such as V_{SS} or V_{DD}). For loads (to V_{DD}) greater than specified, the Zero-Scale Error is greater.

The error in bits is determined by the theoretical voltage step size to give an error in LSB.

EQUATION B-3: ZERO SCALE ERROR

$$E_{ZS} = \frac{V_{OUT(@ZS)}}{V_{LSb(IDEAL)}}$$

Where:

E_{FS} is expressed in LSB.

$V_{OUT(@ZS)}$ is the V_{OUT} voltage when the DAC register code is at Zero-Scale.

$V_{LSb(IDEAL)}$ is the theoretical voltage step size.

B.6 Total Unadjusted Error (E_T)

The Total Unadjusted Error (E_T) is the difference between the ideal and measured V_{OUT} voltage. Typically, calibration of the output voltage is implemented to improve the system's performance.

The error in bits is determined by the theoretical voltage step size to give an error in LSB.

[Equation B-4](#) shows the Total Unadjusted Error calculation

EQUATION B-4: TOTAL UNADJUSTED ERROR CALCULATION

$$E_T = \frac{(V_{OUT_Actual(@code)} - V_{OUT_Ideal(@code)})}{V_{LSb(Ideal)}}$$

Where:

E_T is expressed in LSB.

$V_{OUT_Actual(@code)}$ = The measured DAC output voltage at the specified code

$V_{OUT_Ideal(@code)}$ = The calculated DAC output voltage at the specified code
(code * $V_{LSb(Ideal)}$)

$V_{LSb(Ideal)}$ = $V_{REF}/\# \text{ Steps}$
12-bit = $V_{REF}/4096$
10-bit = $V_{REF}/1024$
8-bit = $V_{REF}/256$

B.7 Offset Error (E_{OS})

The Offset Error is the delta voltage of the V_{OUT} voltage from the ideal output voltage at the specified code. This code is specified where the output amplifier is in the linear operating range; for the MCP48CXBXX we specify code 64 (decimal). Offset Error does not include gain error, which is illustrated in [Figure B-2](#).

This error is expressed in mV. Offset Error can be negative or positive. The error can be calibrated by software in application circuits.

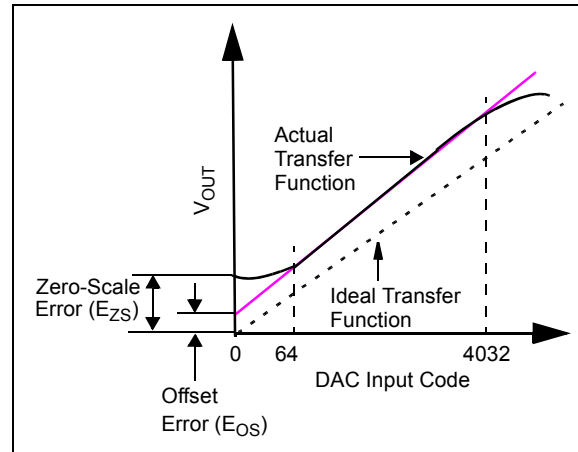


FIGURE B-2: OFFSET ERROR (ZERO GAIN ERROR).

B.8 Offset Error Drift (E_{OSD})

The Offset Error Drift is the variation in Offset Error due to a change in ambient temperature. The Offset Error Drift is typically expressed in ppm/ $^{\circ}C$ or $\mu V/^{\circ}C$.

B.9 Gain Error (E_G)

Gain Error is a calculation based on the ideal slope using the voltage boundaries for the linear range of the output driver (e.g., code 64 and code 4032) (see [Figure B-3](#)). The Gain Error calculation nullifies the device's Offset Error.

The Gain Error indicates how well the slope of the actual transfer function matches the slope of the ideal transfer function. The Gain Error is usually expressed as a percentage of full-scale range (% of FSR) or in LSB. FSR is the ideal full-scale voltage of the DAC (see [Equation B-5](#)).

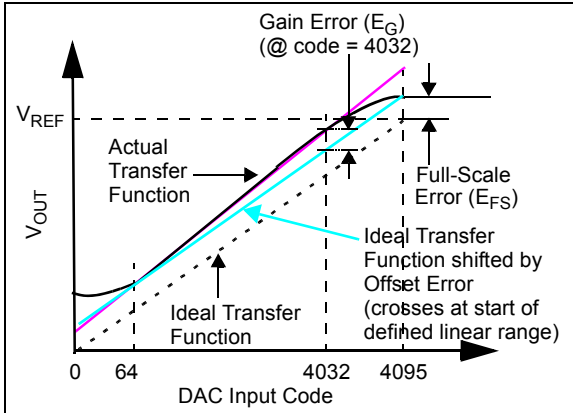


FIGURE B-3: GAIN ERROR AND FULL-SCALE ERROR EXAMPLE.

EQUATION B-5: GAIN ERROR EXAMPLE

$$E_G = \frac{(V_{OUT@4032} - V_{OS} - V_{OUT_Ideal@4032})}{V_{Full-Scale\ Range}} * 100$$

Where:

E_G is expressed in % of Full-Scale Range (FSR).

$V_{OUT@4032}$ = The measured DAC output voltage at the specified code.

$V_{OUT_Ideal@4032}$ = The calculated DAC output voltage at the specified code. $(4032 * V_{LSb(Ideal)})$

V_{OS} = Measured offset voltage.

$V_{Full-Scale\ Range}$ = Expected Full-Scale output value (such as the V_{REF} voltage).

B.10 Gain Error Drift (E_{GD})

The Gain Error Drift is the variation in Gain Error due to a change in ambient temperature. The Gain Error Drift is typically expressed in ppm/°C (of FSR).

B.11 Integral Nonlinearity (INL)

The Integral Nonlinearity (INL) Error is the maximum deviation of an actual transfer function from an ideal transfer function (straight line) passing through the defined end-points of the DAC transfer function (after Offset and Gain Errors have been removed).

For the MCP48CXBXX, INL is calculated using the defined end-points, DAC code 64 and code 4032. INL can be expressed as a percentage of FSR or in LSb. INL is also called relative accuracy. Equation B-6 shows how to calculate the INL error in LSb and Figure B-4 shows an example of INL accuracy.

Positive INL means a V_{OUT} voltage higher than the ideal one. Negative INL means a V_{OUT} voltage lower than the ideal one.

EQUATION B-6: INL ERROR

$$E_{INL} = \frac{(V_{OUT} - V_{Calc_Ideal})}{V_{LSb(Measured)}}$$

Where:

INL is expressed in LSb.

$V_{Calc_Ideal} = Code * V_{LSb(Measured)} + V_{OS}$

$V_{OUT(Code = n)}$ = The measured DAC output voltage with a given DAC register code

$V_{LSb(Measured)} =$ For Measured:
 $(V_{OUT(4032)} - V_{OUT(64)})/3968$

$V_{OS} =$ Measured offset voltage

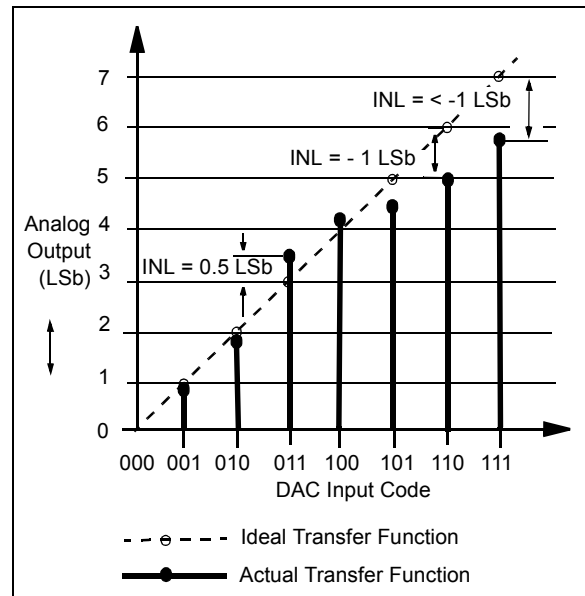


FIGURE B-4: INL ACCURACY.

MCP48CXBXX

B.12 Differential Nonlinearity (DNL)

The Differential Nonlinearity (DNL) Error (see [Figure B-5](#)) is the measure of step size between codes in actual transfer function. The ideal step size between codes is 1 LSB. A DNL Error of zero would imply that every code is exactly 1 LSB wide. If the DNL Error is less than 1 LSB, the DAC guarantees monotonic output and no missing codes. [Equation B-7](#) shows how to calculate the DNL Error between any two adjacent codes in LSB.

EQUATION B-7: DNL ERROR

$$E_{DNL} = \frac{(V_{OUT(code = n+1)} - V_{OUT(code = n)})}{V_{LSb(Measured)}} - 1$$

Where:

DNL is expressed in LSB.

$V_{OUT(Code = n)}$ = The measured DAC output voltage with a given DAC register code

$V_{LSb(Measured)}$ = For Measured:
($V_{OUT(4032)} - V_{OUT(64)}$)/3968

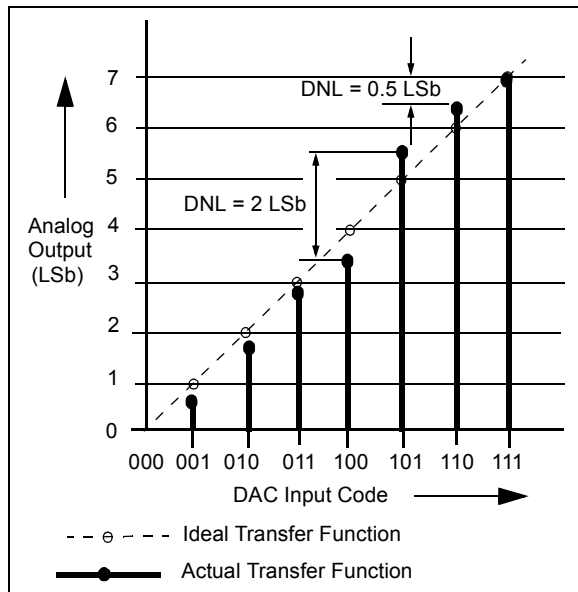


FIGURE B-5: DNL ACCURACY.

B.13 Settling Time

The Settling time is the time delay required for the V_{OUT} voltage to settle into its new output value. This time is measured from the start of code transition to when the V_{OUT} voltage is within the specified accuracy.

For the MCP48CXBXX, the settling time is a measure of the time delay until the V_{OUT} voltage reaches within 0.5 LSB of its final value, when the volatile DAC register changes from 1/4 to 3/4 of the FSR (12-bit device: 400h to C00h).

B.14 Major-Code Transition Glitch

Major-Code transition glitch is the impulse energy injected into the DAC analog output when the code in the DAC register changes the state. It is normally specified as the area of the glitch in nV-Sec and is measured when the digital code is changed by 1 LSB at the major carry transition (Example: 011...111 to 100...000, or 100...000 to 011...111).

B.15 Digital Feed-Through

The digital feed-through is the glitch that appears at the analog output caused by coupling from the digital input pins of the device. The area of the glitch is expressed in nV-Sec and is measured with a full-scale change (Example: all 0s to all 1s and vice versa) on the digital input pins. The digital feed-through is measured when the DAC is not being written to the output register.

B.16 -3 dB Bandwidth

This is the frequency of the signal at the V_{REF} pin that causes the voltage at the V_{OUT} pin to fall to -3 dB from a static value on the V_{REF} pin. The output decreases due to the RC characteristics of the resistor ladder and the characteristics of the output buffer.

B.17 Power-Supply Sensitivity (PSS)

PSS indicates how the output of the DAC is affected by changes in the supply voltage. PSS is the ratio of the change in V_{OUT} to a change in V_{DD} for mid-scale output of the DAC. The V_{OUT} is measured while the V_{DD} is varied from 5.5V to 2.7V as a step (V_{REF} voltage held constant) and expressed in %/%, which is the % change of the DAC output voltage with respect to the % change of the V_{DD} voltage.

EQUATION B-8: PSS CALCULATION

$$PSS = \frac{(V_{OUT(@5.5V)} - V_{OUT(@2.7V)})/V_{OUT(@5.5V)}}{(5.5V - 2.7V)/5.5V}$$

Where:

PSS is expressed in %/ %.

$V_{OUT(@5.5V)}$ = The measured DAC output voltage with $V_{DD} = 5.5V$

$V_{OUT(@2.7V)}$ = The measured DAC output voltage with $V_{DD} = 2.7V$

B.18 Power-Supply Rejection Ratio (PSRR)

PSRR indicates how the output of the DAC is affected by changes in the supply voltage. PSRR is the ratio of the change in V_{OUT} to a change in V_{DD} for full-scale output of the DAC. The V_{OUT} is measured while the V_{DD} is varied +/-10% (V_{REF} voltage held constant) and expressed in dB or $\mu V/V$.

B.19 V_{OUT} Temperature Coefficient

The V_{OUT} temperature coefficient quantifies the error in the resistor ladder's resistance ratio (DAC register code value) and Output Buffer due to temperature drift.

B.20 Absolute Temperature Coefficient

The absolute temperature coefficient quantifies the error in the end-to-end output voltage (Nominal output voltage V_{OUT}) due to temperature drift. For a DAC, this error is typically not an issue due to the ratiometric aspect of the output.

B.21 Noise Spectral Density

The noise spectral density is a measurement of the device's internally generated random noise, and is characterized as a spectral density (voltage per $\sqrt{\text{Hz}}$). It is measured by loading the DAC to the mid-scale value and measuring the noise at the V_{OUT} pin. It is measured in $nV/\sqrt{\text{Hz}}$.

MCP48CXBXX

NOTES:

PRODUCT IDENTIFICATION SYSTEM

To order or obtain information, e.g., on pricing or delivery, refer to the factory or the listed sales office.

<u>PART NO.</u>	<u>X</u> ⁽¹⁾	—	<u>X</u>	<u>/XX</u>
Device	Tape and Reel		Temperature Range	Package
Device:	MCP48CXBXX: 1 LSb INL Voltage Output Digital-to-Analog Converters, with SPI Interface, 8/10/12-bit Resolution, Single/Dual Outputs and Volatile/MTP Memory			
Tape and Reel:	T =		Tape and Reel	
Temperature Range:	E =		-40°C to +125°C (Extended)	
Package:	MF =		Plastic Dual Flat, No Lead Package (DFN), 3 x 3 x 0.9 mm, 10-Lead	
	MG =		Plastic Quad Flat, No Lead Package (QFN), 3 x 3 x 0.9 mm, 16-Lead	
	UN =		Plastic Micro Small Outline Package (MSOP), 10-Lead	
Examples:				
a) MCP48CVB01-E/MF: 1 LSb INL Voltage Output Digital-to-Analog Converter, 8-bit Resolution, Extended Temperature, 10LD DFN, with volatile memory.				
b) MCP48CVB01T-E/MF: 1 LSb INL Voltage Output Digital-to-Analog Converter, 8-bit Resolution, Tape and Reel, Extended Temperature, 10LD DFN, with volatile memory				
a) MCP48CVB12-E/MG: 1 LSb INL Voltage Output Digital-to-Analog Converter, 10-bit Resolution, Extended Temperature, 16LD QFN, with volatile memory.				
b) MCP48CVB12T-E/MG: 1 LSb INL Voltage Output Digital-to-Analog Converter, 10-bit Resolution, Tape and Reel, Extended Temperature, 16LD QFN, with volatile memory.				
a) MCP48CMB21-E/UN: 1 LSb INL Voltage Output Digital-to-Analog Converter, 12-bit Resolution, Extended Temperature, 10LD MSOP, with nonvolatile memory.				
b) MCP48CMB21T-E/UN: 1 LSb INL Voltage Output Digital-to-Analog Converter, 12-bit Resolution, Tape and Reel, Extended Temperature, 10LD MSOP, with nonvolatile memory.				
Note 1: Tape and Reel identifier only appears in the catalog part number description. This identifier is used for ordering purposes and is not printed on the device package. Check with your Microchip Sales Office for package availability with the Tape and Reel option.				

MCP48CXBXX

NOTES:

Note the following details of the code protection feature on Microchip devices:

- Microchip products meet the specification contained in their particular Microchip Data Sheet.
- Microchip believes that its family of products is one of the most secure families of its kind on the market today, when used in the intended manner and under normal conditions.
- There are dishonest and possibly illegal methods used to breach the code protection feature. All of these methods, to our knowledge, require using the Microchip products in a manner outside the operating specifications contained in Microchip's Data Sheets. Most likely, the person doing so is engaged in theft of intellectual property.
- Microchip is willing to work with the customer who is concerned about the integrity of their code.
- Neither Microchip nor any other semiconductor manufacturer can guarantee the security of their code. Code protection does not mean that we are guaranteeing the product as “unbreakable.”

Code protection is constantly evolving. We at Microchip are committed to continuously improving the code protection features of our products. Attempts to break Microchip's code protection feature may be a violation of the Digital Millennium Copyright Act. If such acts allow unauthorized access to your software or other copyrighted work, you may have a right to sue for relief under that Act.

Information contained in this publication regarding device applications and the like is provided only for your convenience and may be superseded by updates. It is your responsibility to ensure that your application meets with your specifications. MICROCHIP MAKES NO REPRESENTATIONS OR WARRANTIES OF ANY KIND WHETHER EXPRESS OR IMPLIED, WRITTEN OR ORAL, STATUTORY OR OTHERWISE, RELATED TO THE INFORMATION, INCLUDING BUT NOT LIMITED TO ITS CONDITION, QUALITY, PERFORMANCE, MERCHANTABILITY OR FITNESS FOR PURPOSE. Microchip disclaims all liability arising from this information and its use. Use of Microchip devices in life support and/or safety applications is entirely at the buyer's risk, and the buyer agrees to defend, indemnify and hold harmless Microchip from any and all damages, claims, suits, or expenses resulting from such use. No licenses are conveyed, implicitly or otherwise, under any Microchip intellectual property rights unless otherwise stated.

Microchip received ISO/TS-16949:2009 certification for its worldwide headquarters, design and wafer fabrication facilities in Chandler and Tempe, Arizona; Gresham, Oregon and design centers in California and India. The Company's quality system processes and procedures are for its PIC® MCUs and dsPIC® DSCs, KEELOQ® code hopping devices, Serial EEPROMs, microperipherals, nonvolatile memory and analog products. In addition, Microchip's quality system for the design and manufacture of development systems is ISO 9001:2000 certified.

**QUALITY MANAGEMENT SYSTEM
CERTIFIED BY DNV
= ISO/TS 16949 =**

Trademarks

The Microchip name and logo, the Microchip logo, AnyRate, AVR, AVR logo, AVR Freaks, BitCloud, chipKIT, chipKIT logo, CryptoMemory, CryptoRF, dsPIC, FlashFlex, flexPWR, Hedo, JukeBlox, KeeLoq, Kleer, LANCheck, LINK MD, maXStylus, maXTouch, MediaLB, megaAVR, MOST, MOST logo, MPLAB, OptoLyzer, PIC, picoPower, PICSTART, PIC32 logo, Prochip Designer, QTouch, SAM-BA, SpyNIC, SST, SST Logo, SuperFlash, tinyAVR, UNI/O, and XMEGA are registered trademarks of Microchip Technology Incorporated in the U.S.A. and other countries.

ClockWorks, The Embedded Control Solutions Company, EtherSynch, Hyper Speed Control, HyperLight Load, IntelliMOS, mTouch, Precision Edge, and Quiet-Wire are registered trademarks of Microchip Technology Incorporated in the U.S.A.

Adjacent Key Suppression, AKS, Analog-for-the-Digital Age, Any Capacitor, AnyIn, AnyOut, BodyCom, CodeGuard, CryptoAuthentication, CryptoAutomotive, CryptoCompanion, CryptoController, dsPICDEM, dsPICDEM.net, Dynamic Average Matching, DAM, ECAN, EtherGREEN, In-Circuit Serial Programming, ICSP, INICnet, Inter-Chip Connectivity, JitterBlocker, KleerNet, KleerNet logo, memBrain, Mindi, MiWi, motorBench, MPASM, MPF, MPLAB Certified logo, MPLIB, MPLINK, MultiTRAK, NetDetach, Omniscient Code Generation, PICDEM, PICDEM.net, PICKit, PICtail, PowerSmart, PureSilicon, QMatrix, REAL ICE, Ripple Blocker, SAM-ICE, Serial Quad I/O, SMART-I.S., SQI, SuperSwitcher, SuperSwitcher II, Total Endurance, TSHARC, USBCheck, VariSense, ViewSpan, WiperLock, Wireless DNA, and ZENA are trademarks of Microchip Technology Incorporated in the U.S.A. and other countries.

SQTP is a service mark of Microchip Technology Incorporated in the U.S.A.

Silicon Storage Technology is a registered trademark of Microchip Technology Inc. in other countries.

GestIC is a registered trademark of Microchip Technology Germany II GmbH & Co. KG, a subsidiary of Microchip Technology Inc., in other countries.

All other trademarks mentioned herein are property of their respective companies.

© 2019, Microchip Technology Incorporated, All Rights Reserved.
ISBN: 978-1-5224-4219-6



MICROCHIP

Worldwide Sales and Service

AMERICAS

Corporate Office
2355 West Chandler Blvd.
Chandler, AZ 85224-6199
Tel: 480-792-7200
Fax: 480-792-7277
Technical Support:
<http://www.microchip.com/support>
Web Address:
www.microchip.com

Atlanta

Duluth, GA
Tel: 678-957-9614
Fax: 678-957-1455

Austin, TX

Tel: 512-257-3370

Boston

Westborough, MA
Tel: 774-760-0087
Fax: 774-760-0088

Chicago

Itasca, IL
Tel: 630-285-0071
Fax: 630-285-0075

Dallas

Addison, TX
Tel: 972-818-7423
Fax: 972-818-2924

Detroit

Novi, MI
Tel: 248-848-4000

Houston, TX

Tel: 281-894-5983

Indianapolis

Noblesville, IN
Tel: 317-773-8323
Fax: 317-773-5453
Tel: 317-536-2380

Los Angeles

Mission Viejo, CA
Tel: 949-462-9523
Fax: 949-462-9608
Tel: 951-273-7800

Raleigh, NC

Tel: 919-844-7510

New York, NY

Tel: 631-435-6000

San Jose, CA

Tel: 408-735-9110
Tel: 408-436-4270

Canada - Toronto

Tel: 905-695-1980
Fax: 905-695-2078

ASIA/PACIFIC

Australia - Sydney
Tel: 61-2-9868-6733

China - Beijing
Tel: 86-10-8569-7000

China - Chengdu
Tel: 86-28-8665-5511

China - Chongqing
Tel: 86-23-8980-9588

China - Dongguan
Tel: 86-769-8702-9880

China - Guangzhou
Tel: 86-20-8755-8029

China - Hangzhou
Tel: 86-571-8792-8115

China - Hong Kong SAR
Tel: 852-2943-5100

China - Nanjing
Tel: 86-25-8473-2460

China - Qingdao
Tel: 86-532-8502-7355

China - Shanghai
Tel: 86-21-3326-8000

China - Shenyang
Tel: 86-24-2334-2829

China - Shenzhen
Tel: 86-755-8864-2200

China - Suzhou
Tel: 86-186-6233-1526

China - Wuhan
Tel: 86-27-5980-5300

China - Xian
Tel: 86-29-8833-7252

China - Xiamen
Tel: 86-592-2388138

China - Zhuhai
Tel: 86-756-3210040

ASIA/PACIFIC

India - Bangalore
Tel: 91-80-3090-4444

India - New Delhi
Tel: 91-11-4160-8631

India - Pune
Tel: 91-20-4121-0141

Japan - Osaka
Tel: 81-6-6152-7160

Japan - Tokyo
Tel: 81-3-6880-3770

Korea - Daegu
Tel: 82-53-744-4301

Korea - Seoul
Tel: 82-2-554-7200

Malaysia - Kuala Lumpur
Tel: 60-3-7651-7906

Malaysia - Penang
Tel: 60-4-227-8870

Philippines - Manila
Tel: 63-2-634-9065

Singapore
Tel: 65-6334-8870

Taiwan - Hsin Chu
Tel: 886-3-577-8366

Taiwan - Kaohsiung
Tel: 886-7-213-7830

Taiwan - Taipei
Tel: 886-2-2508-8600

Thailand - Bangkok
Tel: 66-2-694-1351

Vietnam - Ho Chi Minh
Tel: 84-28-5448-2100

EUROPE

Austria - Wels
Tel: 43-7242-2244-39
Fax: 43-7242-2244-393

Denmark - Copenhagen
Tel: 45-4450-2828
Fax: 45-4485-2829

Finland - Espoo
Tel: 358-9-4520-820

France - Paris
Tel: 33-1-69-53-63-20
Fax: 33-1-69-30-90-79

Germany - Garching
Tel: 49-8931-9700

Germany - Haan
Tel: 49-2129-3766400

Germany - Heilbronn
Tel: 49-7131-67-3636

Germany - Karlsruhe
Tel: 49-721-625370

Germany - Munich
Tel: 49-89-627-144-0
Fax: 49-89-627-144-44

Germany - Rosenheim
Tel: 49-8031-354-560

Israel - Ra'anana
Tel: 972-9-744-7705

Italy - Milan
Tel: 39-0331-742611
Fax: 39-0331-466781

Italy - Padova
Tel: 39-049-7625286

Netherlands - Drunen
Tel: 31-416-690399
Fax: 31-416-690340

Norway - Trondheim
Tel: 47-7288-4388

Poland - Warsaw
Tel: 48-22-3325737

Romania - Bucharest
Tel: 40-21-407-87-50

Spain - Madrid
Tel: 34-91-708-08-90
Fax: 34-91-708-08-91

Sweden - Gothenberg
Tel: 46-31-704-60-40

Sweden - Stockholm
Tel: 46-8-5090-4654

UK - Wokingham
Tel: 44-118-921-5800
Fax: 44-118-921-5820