

Brad Safety MPIS Distribution Box



Rugged, IP67-rated Brad Safety MPIS Distribution Boxes with M12 connections are dedicated to the management of safety devices installed around the machine, and simplify safety wiring in factory-automation environments



Brad Safety MPIS Distribution Boxes
120248-0520, 120248-0500, 120248-0510

Product Features and Advantages*

Pre-wired Safety MPIS (Multi-Port Interconnection System) Distribution Box concentrates multiple IO signals into one home-run cable

Ribbon cable assemblies enable consistent cable management implementations for thermal solutions

Color options available for the MPIS, tees and cordsets

Targets the easy identification of the safety infrastructures compared to the standard IO infrastructure. Custom colors available

Scalable safety solutions

Ranges from simplified serializing to improved safety management. Fulfills different customer application requirements. Enables simple and efficient system expansion

Customization options for I/O port of the MPIS modules

Combines different types of signals (Safe 4 Poles, Safe 8 poles, Standard I/O 5 Poles, etc.). Enhances operational and application flexibility to dedicated customer requirements and regional safety standards. Opens a path to work directly with safety device manufacturers and create private labeled solution

Combination of safety inputs (4 ports, 8 pins) with standard signal inputs (4 ports, 4 and 5 pins) in one 8-port MPIS

Permits installation of standard I/O wiring systems in limited space. Maximizes cost-performance and safety design flexibility

Seal rated IP67

Designed for harsh industrial applications both indoors and outdoors. Eliminates ingress of dust and light jets of water

Applications

Industrial Automation

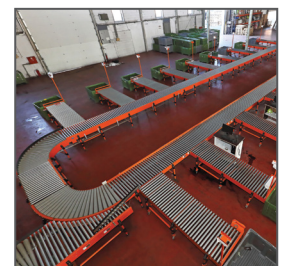
- Food and Beverage
 - Machine Manufacturers
- Machining Centers
 - Grinding and Milling
- Conveying and Sorting
 - Baggage Handling
 - Postal Sorting
 - Packaging Applications
- Safety Device Manufacturers
 - Safe Switches
 - Light Curtains
 - Drives and Motors
 - Locking Systems



Food and Beverage



Robot Cells



Conveying and Sorting

Brad Safety MPIS Distribution Box



Specifications

REFERENCE INFORMATION

UL File No.: E152210
 Mates With: M12 Micro-Change Cordsets
 IP Rating: IP67
 Keying: A-Coding

ELECTRICAL

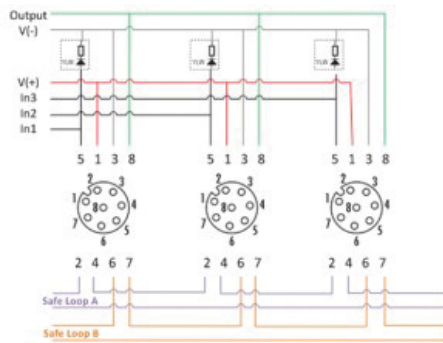
Voltage (max.): Port: 10-30V DC
 Current (max.):
 Module: 12.0A
 Port: 4.0A
 Poles: 4, 5 or 8
 Ports: 4 or 8

PHYSICAL

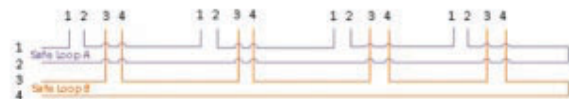
Housing: PBT
 Metal: Copper Alloy
 Contact Plating: Gold over Nickel
 Orientation: Top Mount
 Cable Type: WSOR
 Operating Temperature: -25 to +85°C

Safety MPIS Wiring Diagrams

8-Pole Port



4-Pole Port



Ordering Information

Safety MPIS Distribution Boxes

Order No.	Ports	Type	Housing Color	Length	Engineering No.
120248-0500	8	4 Safety Ports with 8 Pole M12 4 Standard I/O Ports with 5 Pole M12	Black	5 Meter*	BTB851P-FBW-05
120248-0510		8 Safety Ports with 8 Pole M12	Red	5 Meter*	BTR831P-FBW-05
120248-0520	4	4 Safety Ports with 4 Pole M12		N/A	BTR4300-FBF

Safety Cordsets and Patchcords (used on Safety Ports)

Order No.	Type	Poles	Gender	Length	Engineering No.
120065-2378	Single-Ended Cordset	4	Male	1 Meter*	804006B30M010R
120065-2388			Female		804000B30M010R
120065-2383		8	Male		808006B41M010R
120065-2393			Female		808000B41M010R
120066-5456	Double-Ended Patchcord	4	Male - Female		884030B30M010R
120066-5461		8	Male - Female		888030B41M010R

Safety Splitters, Tees and Grounding Plugs

Order No.	Type	Poles	Gender	Length	Engineering No.
120065-2378	Y Splitter	4	Male - Female/Female	N/A	SAFESPLIT000
120065-2388	TEE	4	Female - Male - Female		SAFETEE000
120076-8034	Grounding Plug	4	Male		804006R-SP000
120076-8035		8	Male		808006R-SP000

*Additional lengths available, contact our Automation Solutions Technical Support at (800) 225-7724

Standard Cordsets and Patchcords (used on 4 Standard I/O Ports of #BTB851P-FBW-05)

Order No.	Type	Poles	Gender	Length	Engineering No.
120065-9526	Single-Ended Cordset	5	Male	1 Meter*	805006B30M010
120066-8992	Double-Ended Patchcord		Male - Female		885030B30M010

www.molex.com/link/passivempis.html