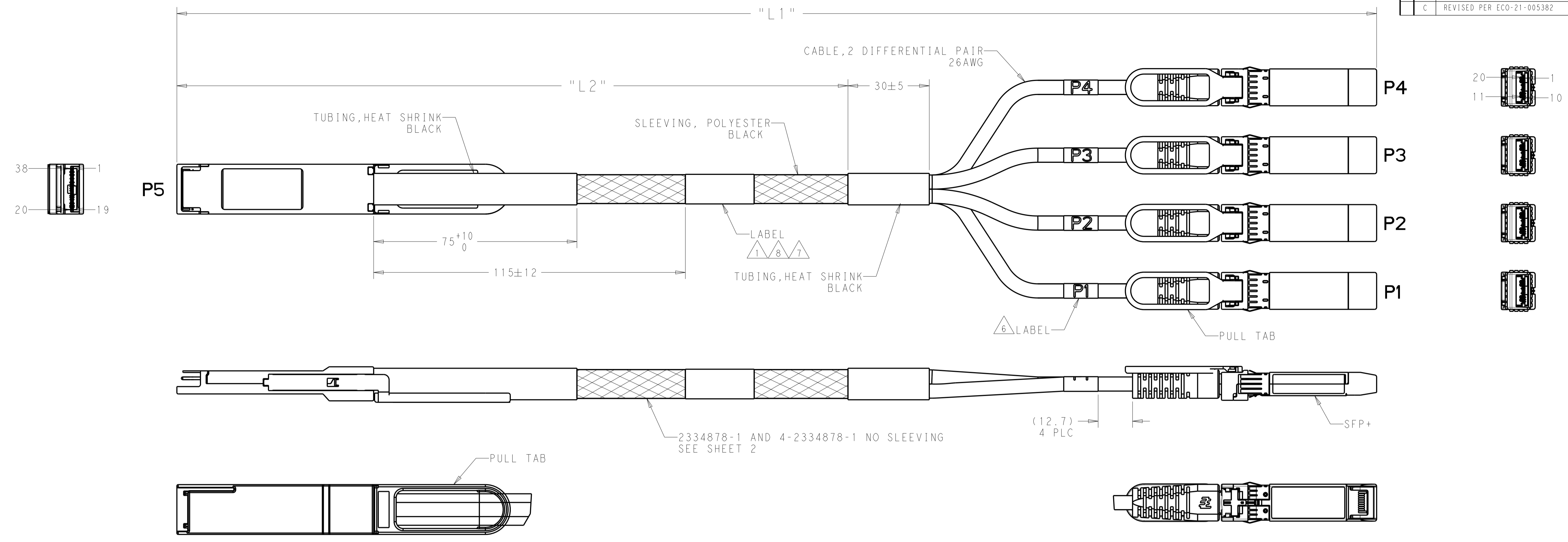
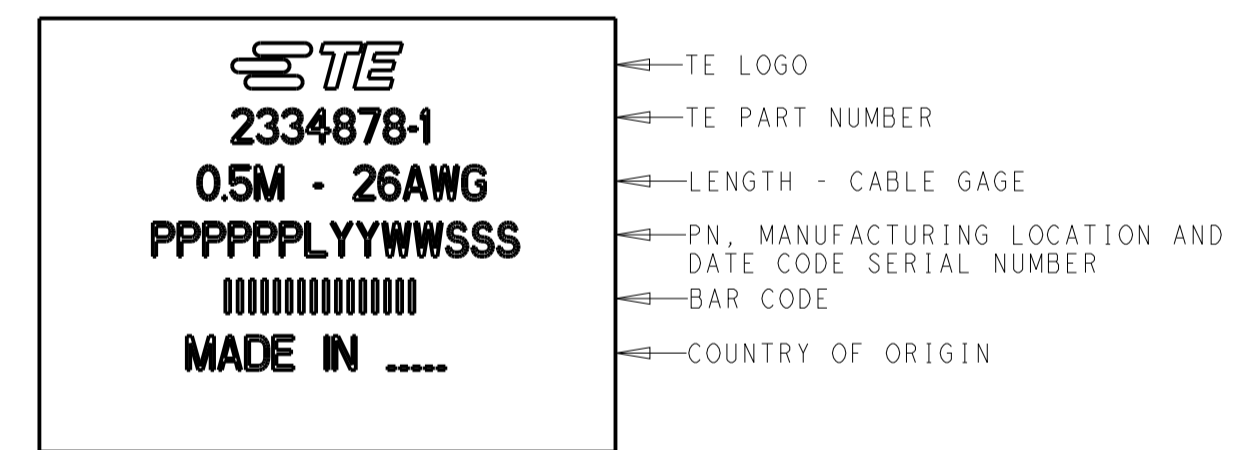


REVISIONS				
P	LTN	DESCRIPTION	DATE	APVD
A		PER ECO-18-020143	31DEC2018	MY GF
B		REV PER ECO-19-013192	27AUG2019	TS GF
B1		rev_desc_3	30AUG2019	AP GF
C		REVISED PER ECO-21-005382	30APR2021	KK AK



1 LABEL INFORMATION FOR 25 GIG PNS (-1 THRU -10): -1 SHOWN



- 2. SEE SHEET 2 FOR WIRING SCHEMATIC.
- 3. PRODUCT AND PROCESSING MUST MEET THE REQUIREMENTS OF TE SPECIFICATION TEC-138-702.
- 4. CABLE ASSEMBLY TO BE TESTED FOR OPENS, SHORTS AND PROPER EEPROM PROGRAM.

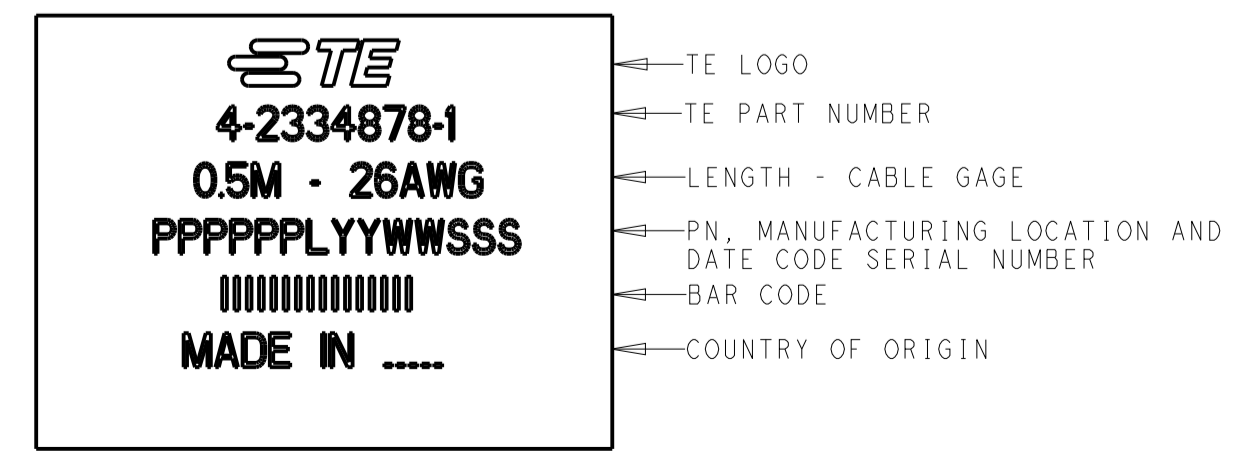
5 TEST IN ACCORDANCE WITH IEEE802.3bj.

6 LABEL INFORMATION: P1 SHOWN



7 SEE SHEET 2 FOR 2334878-1 AND 4-2334878-1 LABEL PLACEMENT.

8 LABEL INFORMATION FOR 56 GIG PNS (-41 THRU -46): -41 SHOWN



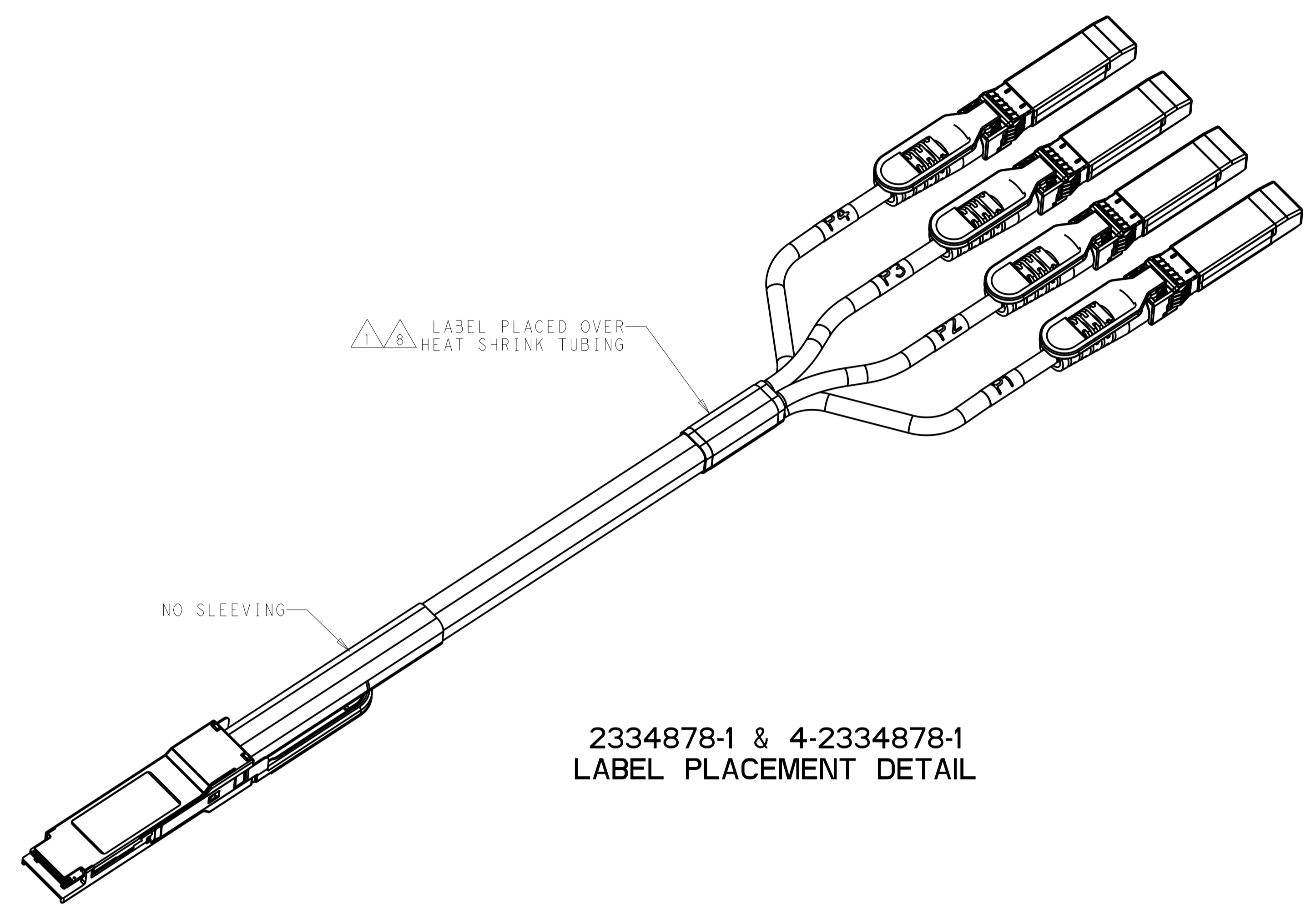
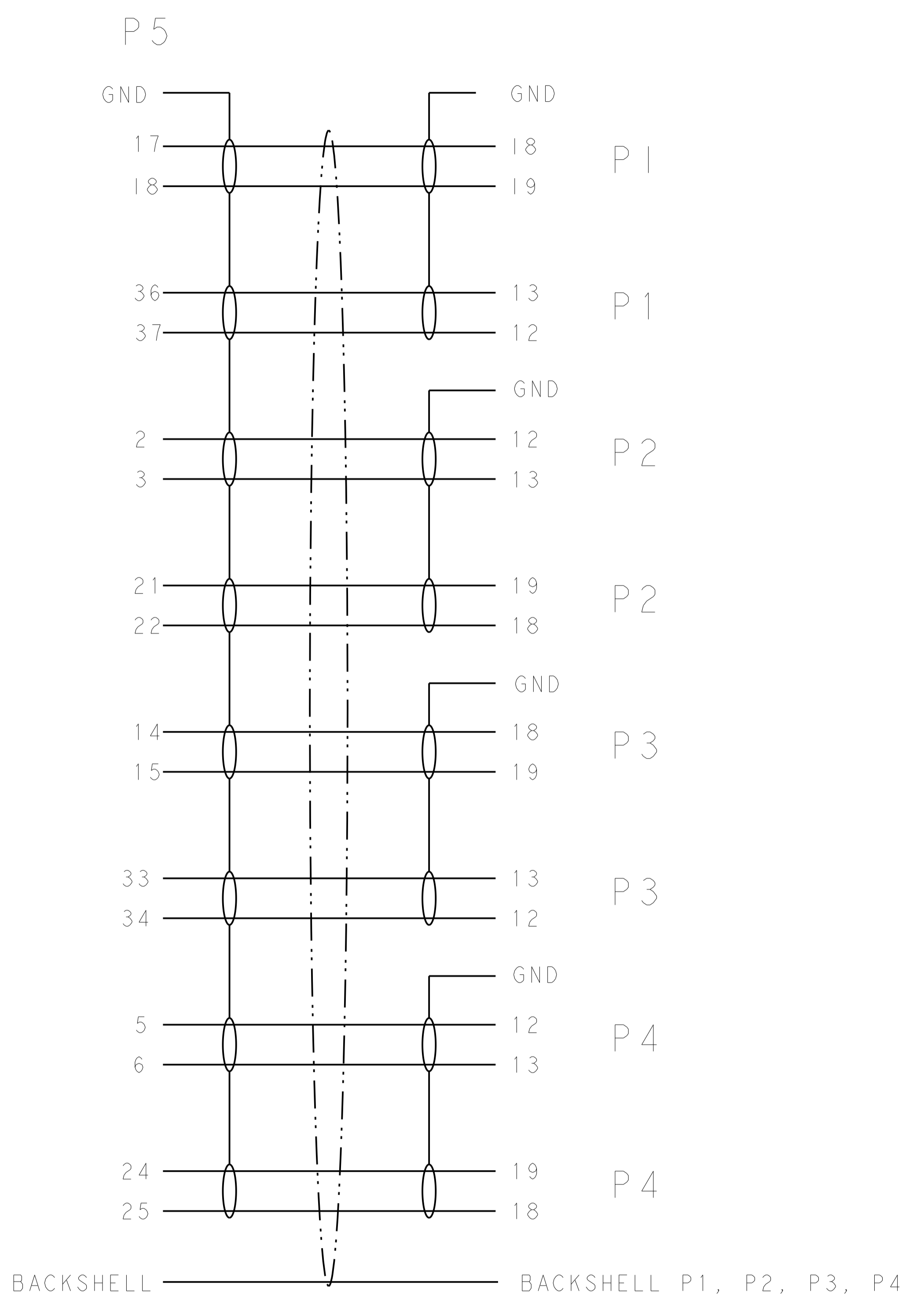
9 DASH NUMBER 41 THRU 46 CONFORM TO 56G, PAM-4 IEEE802.3CD PERFORMANCE REQUIREMENTS.

STANDARD	GAGE	"L2"		"L1"	PART NO
9	26	1000 ±25	3000 +80/-0	4-2334878-6	
	26	1000 ±25	2500 +80/-0	4-2334878-5	
	26	700 ±25	2000 +80/-0	4-2334878-4	
	26	500 ±25	1500 +50/-0	4-2334878-3	
	26	330 ±25	1000 +50/-0	4-2334878-2	
	26	120 ±12	500 +50/-0	4-2334878-1	
	5	26	2000 ±25	5000 +80/-0	1-2334878-0
		26	2000 ±25	4500 +80/-0	2334878-9
		26	2000 ±25	4000 +80/-0	2334878-8
		26	2000 ±25	3500 +80/-0	2334878-7
26		1000 ±25	3000 +80/-0	2334878-6	
26		1000 ±25	2500 +80/-0	2334878-5	
26		700 ±25	2000 +80/-0	2334878-4	
26		500 ±25	1500 +50/-0	2334878-3	
26		330 ±25	1000 +50/-0	2334878-2	
26		120 ±12	500 +50/-0	2334878-1	

THIS DRAWING IS A CONTROLLED DOCUMENT. DIMENSIONS: mm. TOLERANCES UNLESS OTHERWISE SPECIFIED: 0 PLC ±, 1 PLC ±, 2 PLC ±, 3 PLC ±, 4 PLC ±, ANGLES ±. MATERIAL: FINISH: WEIGHT: RESTRICTED CUSTOMER.

OWN: Y1 05MAY2018. CHK: G. FRANKLIN 05MAY2018. APVD: G. FRANKLIN 05MAY2018. NAME: CABLE ASSEMBLY, QSFP28 TO (4) SFP+ 26AWG. SIZE: CAGE CODE: DRAWING NO: A100779. SCALE: 5:4. SHEET 1 OF 2. REV C.

REVISIONS				
P.	LTN	DESCRIPTION	DATE	APVD
		SEE SHEET 1		



2334878-1 & 4-2334878-1
LABEL PLACEMENT DETAIL

THIS DRAWING IS A CONTROLLED DOCUMENT.		OWN: Y1 05MAY2018	STE TE Connectivity
DIMENSIONS: mm		CHK: G. FRANKLIN 05MAY2018	
TOLERANCES UNLESS OTHERWISE SPECIFIED:		APVD: G. FRANKLIN 05MAY2018	NAME: CABLE ASSEMBLY, QSFP28 TO (4) SFP+ 26AWG
0 PLC ±	1 PLC ±	PRODUCT SPEC	SIZE: A100779C=2334878
2 PLC ±	3 PLC ±	APPLICATION SPEC	RESTRICTED TO
4 PLC ±	ANGLES ±	WEIGHT	SCALE: 3:2 SHEET 2 OF 2 REV C
MATERIAL	FINISH	RESTRICTED CUSTOMER	