

Description

Dual center tap Schottky rectifier designed for high frequency Switched Mode Power Supplies.

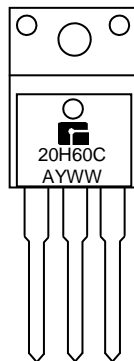
Features

- High junction temperature capability
- Good trade off between leakage current and forward voltage drop
- Low leakage current

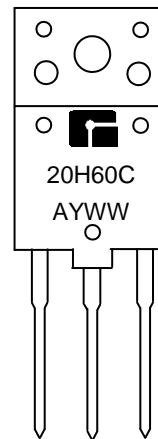
Applications

- | | |
|---------------------------|------------------------|
| ■ Switching Power Supply | ■ LCD Monitor/TV |
| ■ Industrial Application | ■ AC-DC Converter |
| ■ Computer and Peripheral | ■ DC-DC Converter |
| ■ Home Appliance | ■ Telecommunication |
| ■ Consumer Product | ■ Free Wheeling Diodes |
| ■ Battery Charger/Adapter | ■ Polarity Protection |

Marking Information and Pin Configurations (Top View)



TO - 220FPAB & TO - 220AB



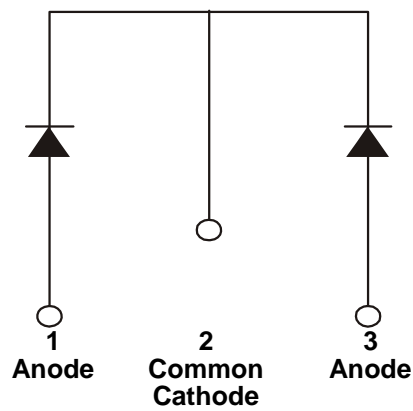
TO - 3P

20: Maximum average forward rectified current - 20A
 H: Low V_F family
 60: Repetitive peak reverse voltage - 60V
 C: Dual Cathode Common
 A: Assembly Location
 Y: Year
 WW: Work Week

Ordering Information

ORDERING NUMBER	PACKAGE	SHIPPING
GMR20H60CTB3T	TO220AB	50 Units/ Tube
GMR20H60CTBF3T	TO220FPAB	50 Units/ Tube
GMR20H60CTP3T	TO-3P	30 Units/ Tube

Block Diagram



Absolute Maximum Ratings

PARAMETER	SYMBOL	VALUE	UNITS
Repetitive Peak Reverse Voltage	V_{RPM}	65	V
RMS Forward Current	$I_{F(RMS)}$	20	A
Peak Forward Surge Current 8.3ms single half sine-wave superimposed on rated load (JEDEC METHOD)	I_{FSM}	135	A
Maximum Operating Junction Temperature	T_J	175	°C
Operating storage temperature	T_{STG}	-45 to +150	°C
Voltage Rate of Change	dV/dt	10,000	V/μs
Electrostatic Discharge Voltage. JEDEC Method. ESD HBM. Contact	V_{ESD}	± 8	kV

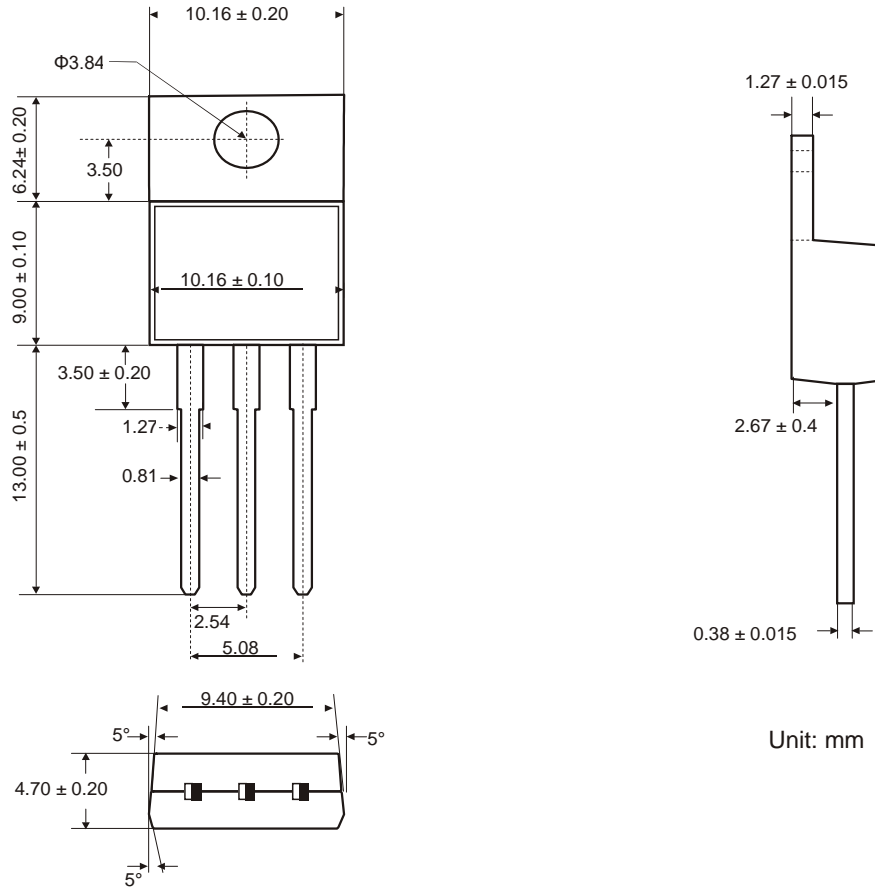
Thermal Characteristics

PARAMETER	SYMBOL	TO220AB	TO220FPAB	TO-3PF	UNITS
Typical thermal resistance per leg	Θ_{JC}	2.4	4.2	1.2	°C/W

Electrical Characteristics (per diode) $T_J = 25^\circ\text{C}$, Unless otherwise noted

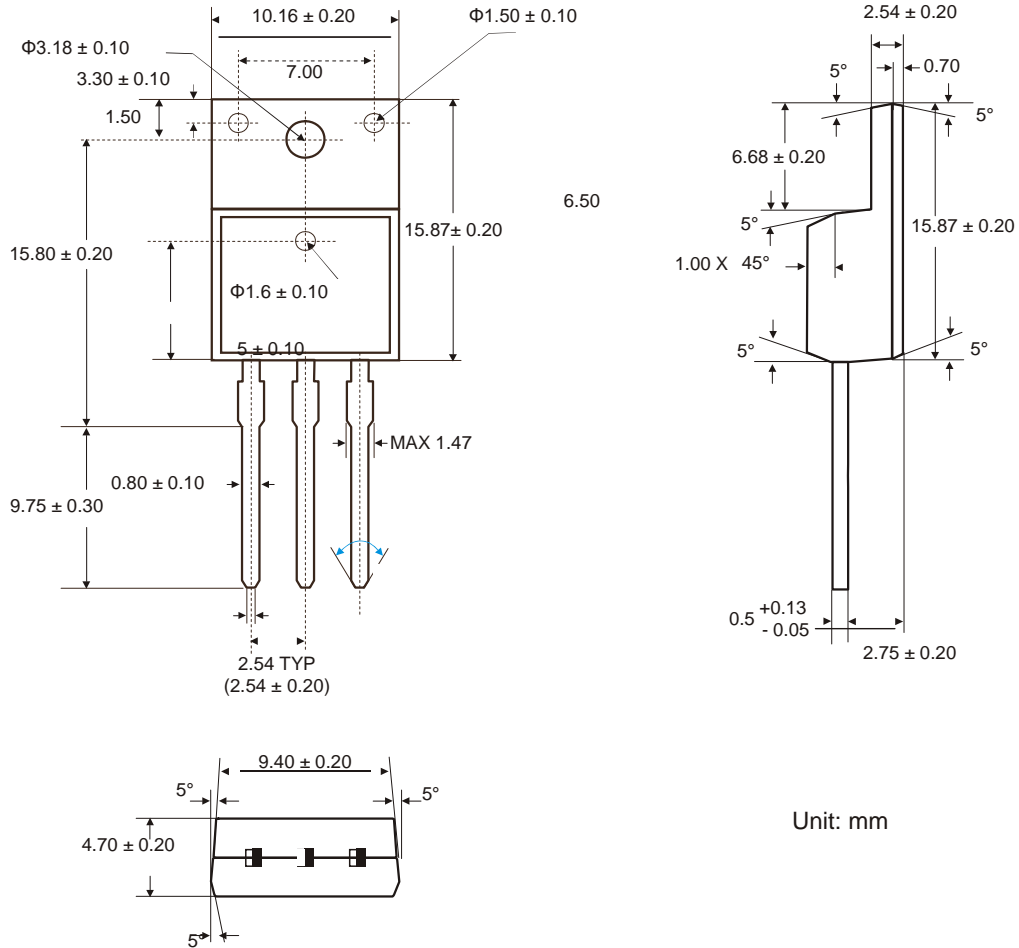
PARAMETER	SYMBOL	Test Condition	Min	Typ	Max	Units
DC Forward Voltage	V_F	$I_F = 10\text{A}$		0.77	0.79	V
Average Rectified Forward Current	$I_{F(AV)}$				10	A
Maximum Reverse Current	I_R	$V_R = 60\text{V}$	-	8	10	μA
		$V_R = 60\text{V}, T_J = 125^\circ\text{C}$		8	10	mA

Package Outline Dimensions – TO220AB



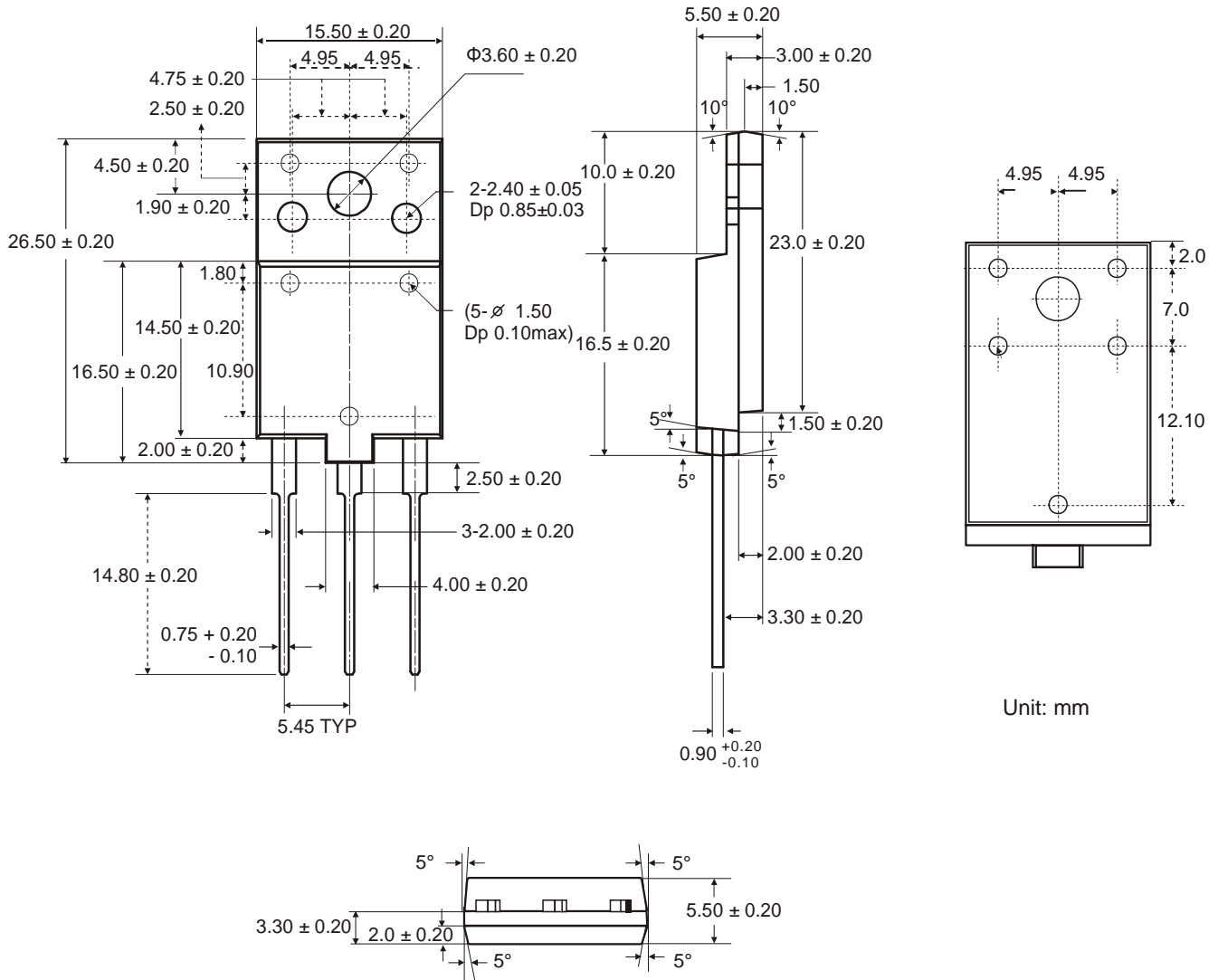
Unit: mm

Package Outline Dimensions – TO220FPAB



Unit: mm

Package Outline Dimensions – TO-3P



Ordering Number

GM R 20 H 60 C TB3 I

APM
Gamma
Micro

Circuit
Type:
Rectifier

Rated
Current

Low I_R
/Low V_F
Family

Rated
Voltage

Dual
Cathode
Common

Package
TB3: TO220AB
TBF3: TO220FPAB
TP3: TO-3P

Shipping
T: Tube