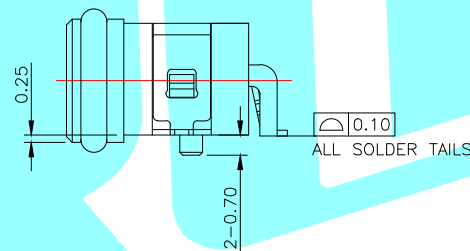
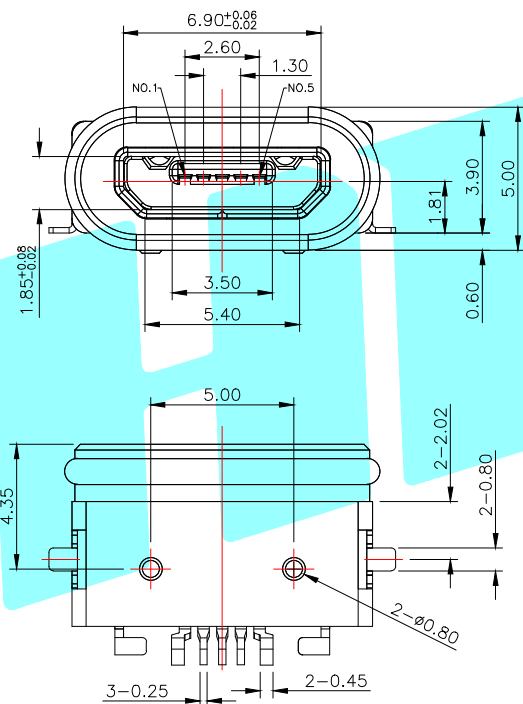


RECOMMENDED P.C.B. LAYOUT (TOP VIEW)  
GENERAL TOLERANCE: ±0.05



### SPECIFICATIONS:

1. ELECTRICAL CHARACTERISTICS:
  - 1.1. RATING: 3A(PIN1&5),0.5A(PIN2&3&4);
  - 1.2. CONTACT RESISTANCE: 30 mΩ MAX.(INITIAL);
  - 1.3. DIELECTRIC WITHSTANDING: 500V AC MIN.;
  - 1.4. INSULATION RESISTANCE: 1000Ω MIN.;
2. DURABILITY: 10,000 CYCLES MIN.;
3. INSERTION FORCE: 3.5Kgf (35N) Max.;
4. EXTRACTION FORCE: 0.8Kgf (8N) Min.;
5. WATER PROOFNESS: THIS PRODUCT IS BASED ON IPX8.
6. PLUG INTERFACE DIMENSIONS COMFORM TO USB2.0 SPEC.

Contact Number	Signal Name	Remarks
1#	VBUS	Power
2#	D-	Date-
3#	D+	Date+
4#	ID	Reserve or Gound
5#	GND	Gound

④	Oval ring	—	1	Rubber	Black	—
③	Shell	—	1	SUS	Ni Plated	—
②	Terminal	—	5	Copper Alloy	Au Plated	—
①	Housing	—	1	HTP	Black	—
ITEM	PART NAME	TER'NO.	QTY.	MATERIAL	FINISHING	REMARK

APPROVALS		DATE				
DRAWN	LIUCAN	2021.6.10				
CHECKED				TITLE: USB CONNECTOR		
APPROVALS				PART NO. U-E-M5SS-W-2		
TOLERANCES ARE		30~以上	±0.30	ANGLE	UNIT: mm	SCALE: 1:1
		10~30	±0.25			
		5~10	±0.20			
		~ 5	±0.15			
		±2'		DRAWING NO.		PROJ:
				SHEET 1 OF 1		

ECN NO.	REV.	DATE.	DESCRIPTION.	CHANGE.	CHECK.	APPRO.
—	A	—	NEW	—	—	—