

LED Module Specifications

PRODUCT SPECIFICATION

Model No.: FYLM-5630UXX-02-06-12V-W

Applications:
<ul style="list-style-type: none"> ■ Channel Letters ■ Lighting source for shop windows ■ Indoor Decoration Lighting ■ Advertising Signs ■ Replacement for Neon



CUSTOMER APPROVED SIGNATURES	APPROVED BY	CHECKED BY	PREPARED BY

NINGBO FORYARD OPTOELECTRONICS CO.,LTD.

Add: NO.115 Qixin Road Ningbo Zhejiang China

Zip: 315042

Tel: 0086-574-87933652 87927870 87922206

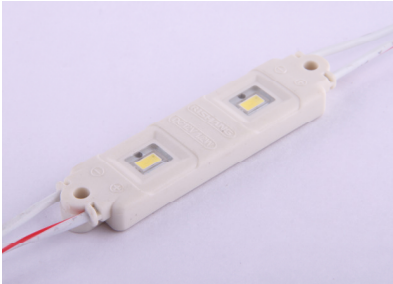
Fax: 0086-574-87927917

E-mail: Sales@foryard.com (General)

[Http://www.foryard.com](http://www.foryard.com)

Model No.: FYLM-5630UXX-02-06-12V-W

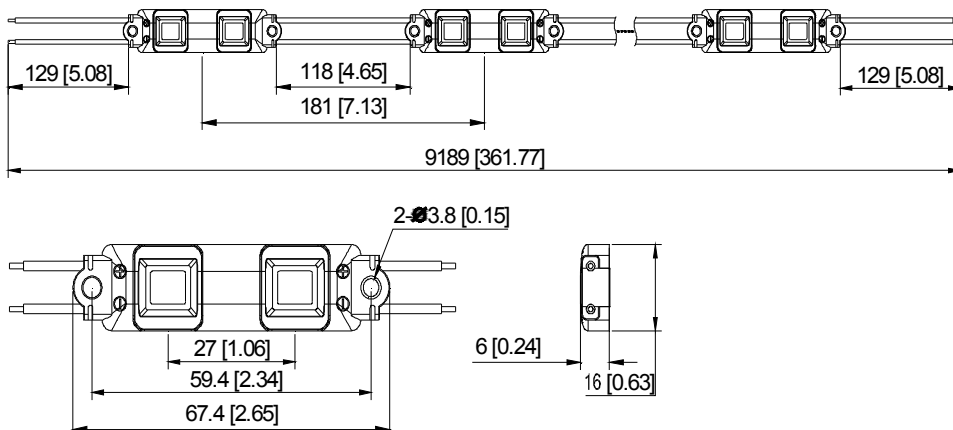
■ Photo



■ Features

1. High luminous efficiency with 5630 SMD LED mounted
2. High-pressure injection technology
3. Maximum module quantity per string up to 50 pcs
4. Excellent heat dissipation and longer life with PVC housing and aluminum PCB board
5. Uniform light with constant current technology
6. PC cover protects LEDs from sharp stuff and corrosion
7. Certification: CE, RoHS, UL94 V-0

■ Profile Drawings



Notes:

1. All dimensions are millimeters.
2. Tolerance is ± 1 mm unless otherwise specified.
3. Specifications are subject to change without notice.

Model No.: FYLM-5630UXX-02-06-12V-W

Rating Electrical/Optical Characteristics(1 PCS)

Item	Warm White	White	Cold White	Red	Green	Blue	Yellow
Color Temperature(K) Wavelength(nm)	3000	6000	9000	620~625	525~530	465~470	585~590
Luminous Flux(lm/piece)	63	63	63	25	46	14	20
CRI	≥75	≥75	≥75	-	-	-	-
Luminous Efficiency(lm/W)	83	83	83	33	58	18	25
Working Voltage (V)	DC12						
Beam Angle (°)	115						
Working Current	100						
Power(W/piece)	1.2						
net weight:(g)	10						
LED Quantity(pcs)	1						
Dimension:(mm)	67.4*16.0*6.0						
Life Time(hrs)	13000						
Operation Temperature(°C)	-25~+60						
IP Grade	IP 65						
Approval	CE (NO: E8 06 01 57489 001)						

Rating Electrical/Optical Characteristics(50 PCS)

LED Color	Warm White	White	Cold White	Red	Green	Blue	Yellow
Power Dissipation	50.4W						
Total Length	9.189m±0.1m						
Input Current(mA)	5000						
Weight	500g						

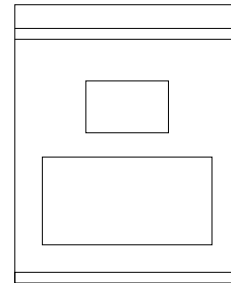
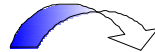
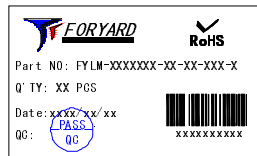
Notes:

1. Testing environment temperature: 25±2°C
2. The above data are typical values; the actual data of each single product could differ from the typical values. The data subject to change without prior notice.

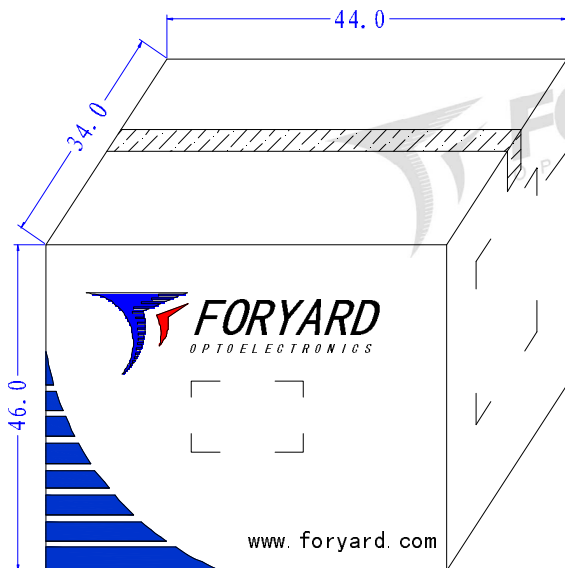
Model No.: FYLM-5630UXX-02-06-12V-W

Package(5 meters)

The backsides of all products will stick '3M' branded double-sided sticker with 10mm width.

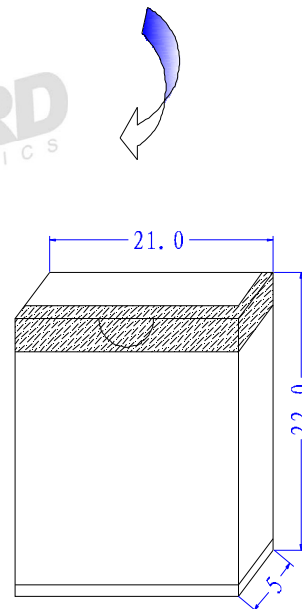
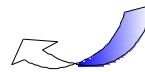


XPCS/Polybag



24Boxes/Carton

OUTSIDE LABEL



xPolybags/Box



OUTSIDE LABEL

Note: The specifications are subject to change without notice. Please contact us for updated information.