

## LM5068 Negative Voltage Hot Swap Controller

Check for Samples: [LM5068](#)

### FEATURES

- **Safe Module Insertion and Removal from Live Backplanes**
- **In-Rush Current Limiting for Safe Board Insertion into Live Backplanes**
- **Fast Response to Over-Current Fault Conditions with Active Current Limiting**
- **-10V to -90V Input Range**
- **Programmable Under-Voltage/Over-Voltage Shutdown Protection with Adjustable Hysteresis**
- **Programmable Multi-Function Timer for Board Insertion De-Bounce Delay**
- **Fault Timer Avoids Nuisance Trips Caused by Short Duration Load Transients**
- **Active Gate Clamping During Initial Power Application**
- **Available in both Latched Fault and Automatic Re-Try Versions**
- **Available with either Active HIGH or Active LOW Power Good Flag**

### APPLICATIONS

- **- 48V Power Modules**
- **Central Office Switching**
- **Distributed Power Systems**
- **Electronic Circuit Breaker**
- **PBX Systems**
- **Negative Power Supply Control**

### DESCRIPTION

The LM5068 hot-swap controller provides intelligent control of power supply connections during the insertion and removal of circuit cards powered by live system backplanes.

The LM5068 provides both in-rush current control and short-circuit protection functions, and limits power supply transients in the backplane caused by the insertion of additional circuit cards. The LM5068 controls the external N-Channel MOSFET to provide programmable load current limiting and circuit breaker functions using a single external current sense resistor. The LM5068 issues a power good (PWRGD) signal at the conclusion of a successful power-on sequence. Input over-voltage or under-voltage fault conditions will cancel the PWRGD indication.

The LM5068-1 and -2 indicate power-good as an open-drain active HIGH PWRGD state. The LM5068-3 and -4 indicate power-good as an open-drain active LOW PWRGD state. The LM5068-1 and -3 latch off after a fault condition is detected while the LM5068-2 and -4 continuously re-try at intervals set by a programmable timer.

The LM5068 is available in a VSSOP-8 package.



Please be aware that an important notice concerning availability, standard warranty, and use in critical applications of Texas Instruments semiconductor products and disclaimers thereto appears at the end of this data sheet.

All trademarks are the property of their respective owners.

Typical Application

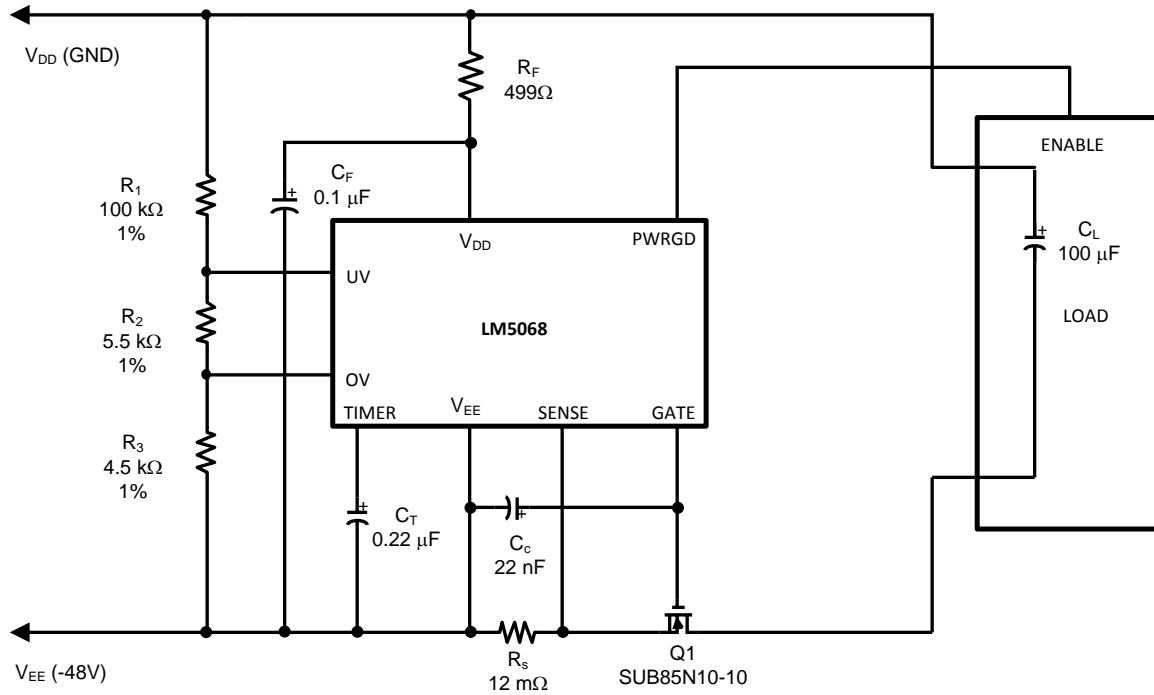
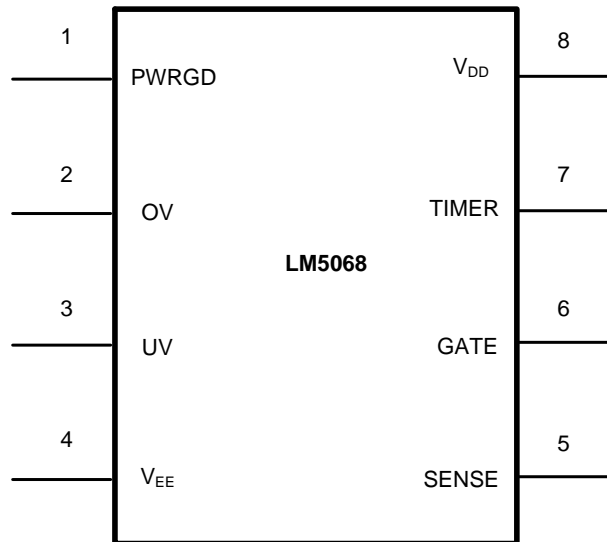


Figure 1. Negative Power Supply Control

Connection Diagram



**PIN DESCRIPTION**

PIN	NAME	DESCRIPTION	APPLICATION INFORMATION
1	PWRGD	Open Drain Power Good indicator	Following a successful power-up sequence the PWRGD signal will be active. The LM5068-1 and -2 are configured for an active power-good state as HIGH, while the LM5068-3 and -4 are configured for an active power-good state as LOW.
2	OV	Line Over-Voltage Shutdown	An external resistor divider from the power source sets the over-voltage shutdown level. Hysteresis is generated by an internal current source which sources 20 $\mu$ A into the external divider when the OV pin exceeds 2.5V.
3	UV	Line Under-Voltage Shutdown	An external resistor divider from the power source sets the under-voltage shutdown level. Hysteresis is set by an internal current source which sinks 20 $\mu$ A from the external divider when the UV pin falls below 2.5V.
4	V <sub>EE</sub>	Negative Supply Voltage Input	
5	SENSE	Current Sense Input	Load current is monitored via an external current sense resistor (R <sub>s</sub> ). If the voltage across R <sub>s</sub> exceeds 50mV the fault timer is initiated. Load current is actively limited to 100mV/R <sub>s</sub> . If the sense voltage exceeds 200mV due to a catastrophic fault, the fast gate pull down circuit will reduce the MOSFET gate voltage and initiate active current limiting.
6	GATE	N-Channel MOSFET Gate Drive Output	This output is pulled high by a 60 $\mu$ A current source to turn on the MOSFET.
7	TIMER	Timer Input	An external capacitor connected to this pin sets the initial start-up delay and the delay to shutdown in the event of an over-current condition. This pin is also used for the automatic re-try timing sequence, following fault shutdown (-2 and -4 versions).
8	V <sub>DD</sub>	Positive Supply Voltage Input	

**Configuration Table**

Part Number	Latch Off /Successive Re-try	Power Good Polarity	Package
LM5068MM-1/MMX-1	Latch Off	Active HIGH	VSSOP- 8
LM5068MM-2/MMX-2	Auto Re-try	Active HIGH	
LM5068MM-3/MMX-3	Latch Off	Active LOW	
LM5068MM-4/MMX-4	Auto Re-try	Active LOW	



These devices have limited built-in ESD protection. The leads should be shorted together or the device placed in conductive foam during storage or handling to prevent electrostatic damage to the MOS gates.

### Absolute Maximum Ratings <sup>(1)(2)</sup>

V <sub>DD</sub> (V <sub>DD</sub> to V <sub>EE</sub> )	100V
PWRGD (PWRGD to V <sub>EE</sub> )	100V
SENSE (SENSE to V <sub>EE</sub> )	8V
UV/OV (Clamped) (UV/OV to V <sub>EE</sub> )	8V
All Other Inputs to V <sub>EE</sub>	16V
Junction Temperature (T <sub>J</sub> )	+150°C
Storage Temperature (T <sub>S</sub> )	-55°C to +150°C
Soldering Information	
ESD Rating <sup>(3)</sup>	2kV

- (1) Absolute Maximum Ratings are limits beyond which damage to the device may occur. Operating Ratings are conditions under which operation of the device is intended to be functional. For specifications and test conditions, see the [Electrical Characteristics](#).
- (2) If Military/Aerospace specified devices are required, please contact the Texas Instruments Sales Office/ Distributors for availability and specifications.
- (3) The ESD rating of Pin 7 is 1.5kV. It is recommended that proper ESD precautions are taken to avoid performance degradation or loss of functionality.

### Operating Ratings

Supply Voltage Range (V <sub>DD</sub> )	10V to 90V
Junction Temp. Range	-40°C to +105°C

### Electrical Characteristics

Specifications in standard typeface are for T<sub>J</sub> = +25°C, and those in **boldface type** apply over the full operating junction temperature range. Unless otherwise noted V<sub>DD</sub> - V<sub>EE</sub> = 48V.

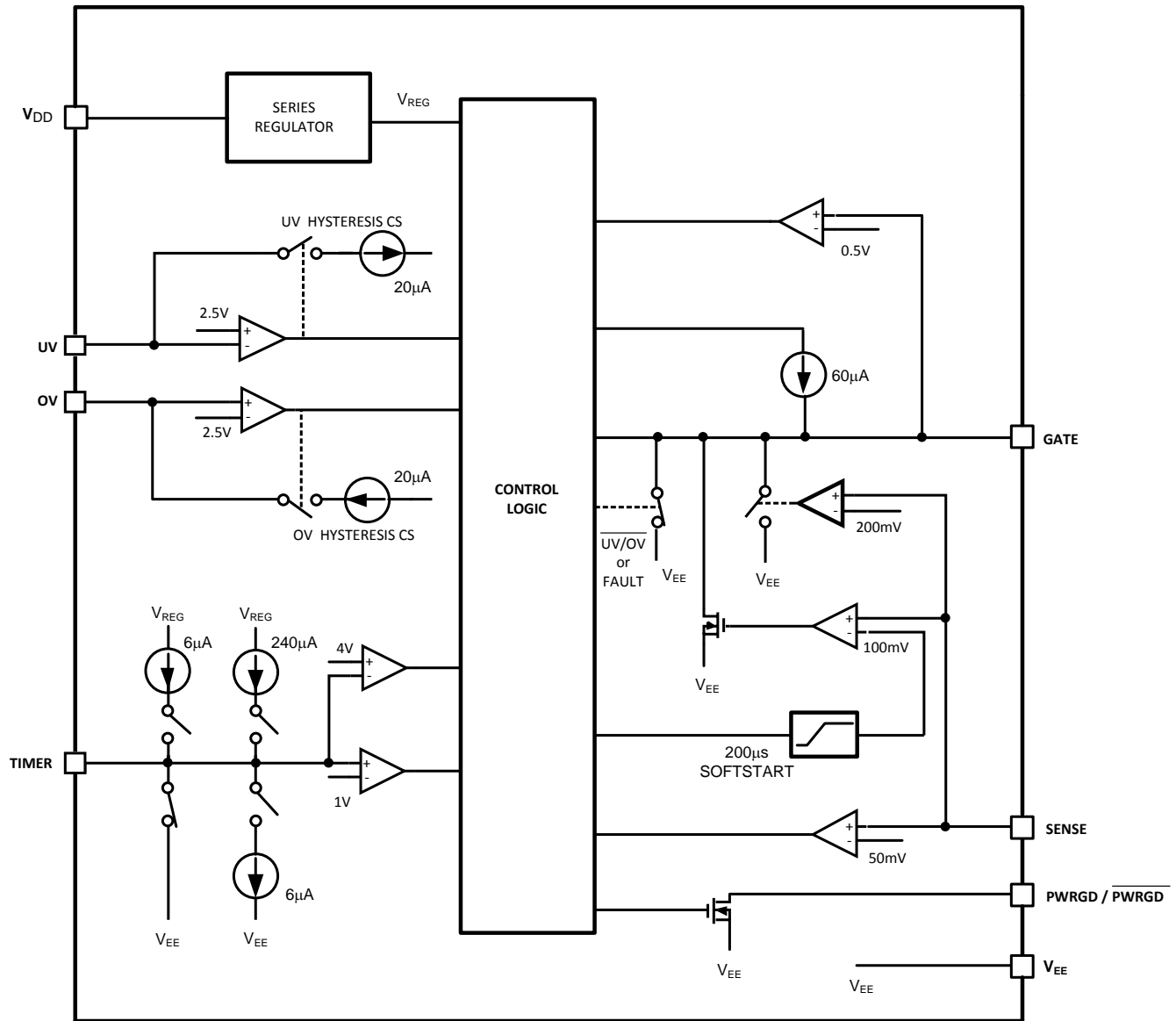
Symbol	Parameter	Conditions	Min	Typ	Max	Units
<b>V<sub>DD</sub> Supply</b>						
I <sub>IN</sub>	Supply Current			0.82	<b>1.3</b>	mA
I <sub>SD</sub>	Shutdown Current	UV/OV = 0V		580	<b>1000</b>	μA
V <sub>DD</sub> - V <sub>EE</sub>	Operating Supply Range		<b>10</b>		<b>90</b>	V
<b>UV/OV Shutdown</b>						
V <sub>UVS</sub>	V <sub>DD</sub> Under-voltage Shutdown			8.5		V
V <sub>UVSH</sub>	V <sub>DD</sub> Under-voltage Shutdown Hysteresis			0.6		V
V <sub>UV</sub>	Under-voltage Comparator Threshold		<b>2.45</b>	2.5	<b>2.55</b>	V
I <sub>UVHCS</sub>	Under-voltage Hysteresis Current Source		<b>18</b>	20	<b>22</b>	μA
V <sub>OV</sub>	Over-voltage Comparator Threshold		<b>2.45</b>	2.5	<b>2.55</b>	V
I <sub>OVHCS</sub>	Over-voltage Hysteresis Current Sink		<b>18</b>	20	<b>22</b>	μA
t <sub>UVCD</sub>	UV Comparator Delay	UV Low to Gate Low		1100		ns
t <sub>OVCD</sub>	OV Comparator Delay	OV High to Gate Low		500		ns
<b>Current Limit Voltage</b>						
V <sub>CB</sub>	Circuit Breaker Current Limit Voltage		<b>40</b>	50	<b>60</b>	mV
V <sub>AC</sub>	Analog Current Limit Voltage		<b>80</b>	100	<b>120</b>	mV
V <sub>FDC</sub>	Fast Discharge Current Limit Voltage (Fast Gate Pull Down Threshold)		<b>150</b>	200	<b>250</b>	mV
<b>Sense Input</b>						
I <sub>SENSE</sub>	Sense Input Current	V <sub>SENSE</sub> = 50mV	<b>-30</b>	-15		μA

## Electrical Characteristics (continued)

Specifications in standard typeface are for  $T_J = +25^\circ\text{C}$ , and those in **boldface type** apply over the full operating junction temperature range. Unless otherwise noted  $V_{DD} - V_{EE} = 48\text{V}$ .

Symbol	Parameter	Conditions	Min	Typ	Max	Units
<b>Timer</b>						
$V_{THVT}$	Timer High Voltage Threshold			4		V
$V_{TLVT}$	Timer Low Voltage Threshold			1		V
$I_{TIMER}$	Timer On (Initial Cycle, Sourcing)	$V_{TIMER} = 2\text{V}$	<b>4</b>	6	<b>8</b>	$\mu\text{A}$
	Timer Off (Initial Cycle, Sinking)	$V_{TIMER} = 2\text{V}$		27		mA
	Timer On (Circuit Breaker, Sourcing)	$V_{TIMER} = 2\text{V}$	<b>200</b>	240	<b>280</b>	$\mu\text{A}$
	Timer Off (Cooling Cycle, Sinking)	$V_{TIMER} = 2\text{V}$	<b>4</b>	6	<b>8</b>	$\mu\text{A}$
<b>Gate Drive</b>						
$V_G$	Saturation Gate Drive Voltage	$V_{DD} - V_{EE} = 48\text{V}$	<b>9</b>	10.6	<b>12</b>	V
		$V_{DD} - V_{EE} = 10\text{V}$		7.8		V
$V_{GLT}$	Gate Low Threshold	Before Gate ramp-up		0.5		V
$I_{GATE}$	Gate Pin Current (Sourcing)	$V_{SENSE} = 0\text{V}$	<b>40</b>	60	<b>80</b>	$\mu\text{A}$
	Gate Pin Current (Sinking)	$V_{SENSE} = 150\text{mV}$ $V_{GATE} = 3\text{V}$		2.7		mA
	Gate Pin Current (Sinking)	$V_{SENSE} = 300\text{mV}$ $V_{GATE} = 1\text{V}$		300		mA
<b>PWRGD</b>						
$V_{PGLV}$	PWRGD Low Voltage	$I_{SINK} = 1\text{mA}$		0.2	<b>0.6</b>	V
$I_{PGLC}$	PWRGD High Leakage Current	$V_{PWRGD} = 90\text{V}$		1		$\mu\text{A}$
$V_{PGV}$	GATE Voltage at onset of PWRGD			8		V

Block Diagram



### Typical Performance Characteristics

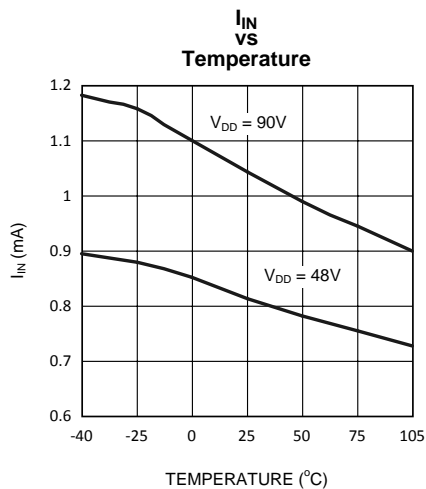


Figure 2.

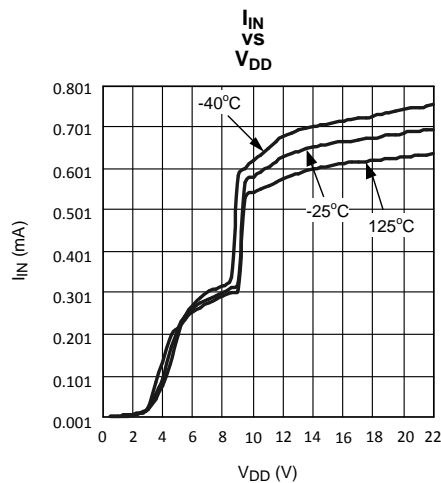


Figure 3.

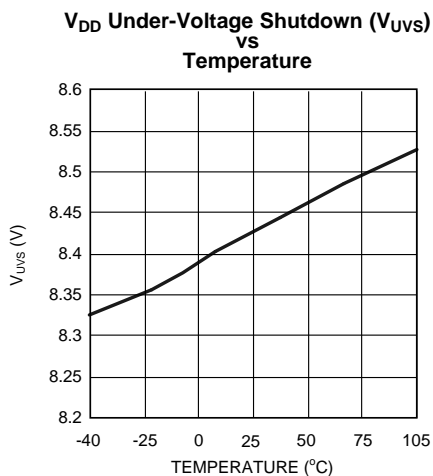


Figure 4.

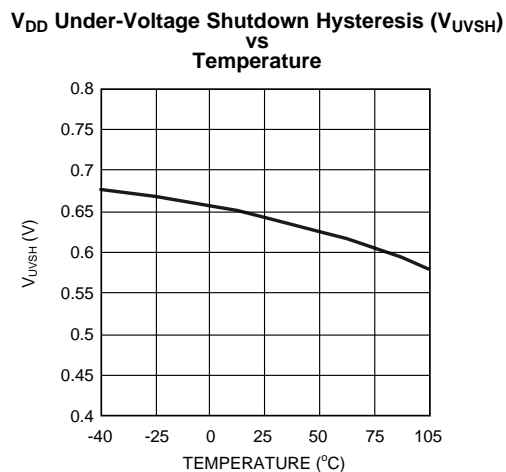


Figure 5.

**Under-Voltage Comparator Threshold ( $V_{UV}$ ) and Over-Voltage Comparator Threshold ( $V_{OV}$ ) vs Temperature**

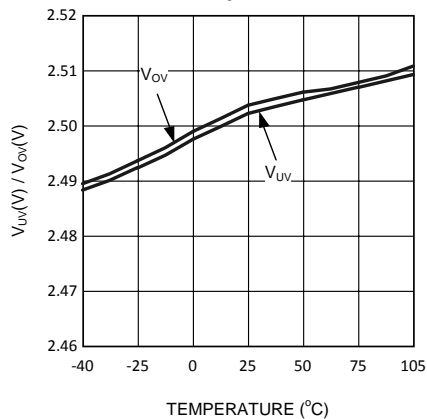


Figure 6.

**Under-Voltage Comparator Threshold Hysteresis Current Source ( $I_{UVHCS}$ ) vs Temperature**

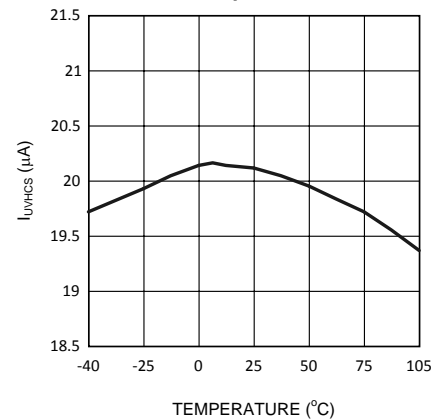


Figure 7.

**Typical Performance Characteristics (continued)**

**Over-Voltage Comparator Threshold Hysteresis Current Sink ( $I_{OVHCS}$ ) vs Temperature**

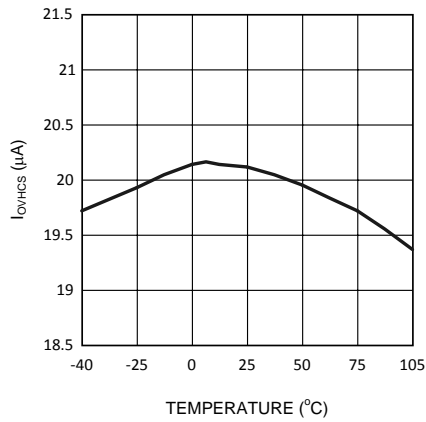


Figure 8.

**UV Comparator Delay ( $t_{UVCD}$ ) and OV Comparator Delay ( $t_{OVCD}$ ) vs Temperature**

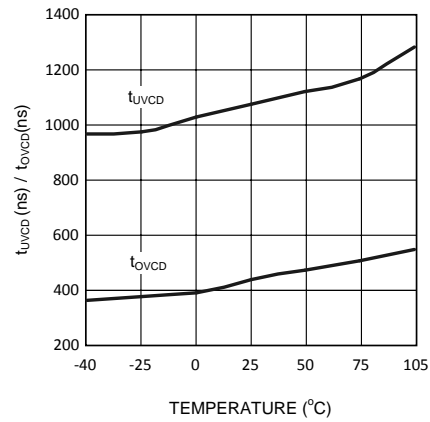


Figure 9.

**Circuit Breaker Current Limit Voltage ( $V_{CB}$ ) vs Temperature**

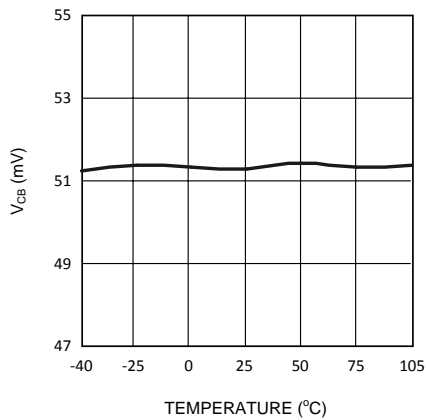


Figure 10.

**Analog Current Limit Voltage ( $V_{AC}$ ) vs Temperature**

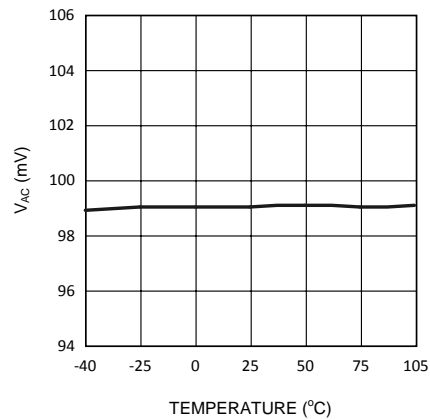


Figure 11.

**Fast Discharge Current Limit Voltage ( $V_{FDC}$ ) vs Temperature**

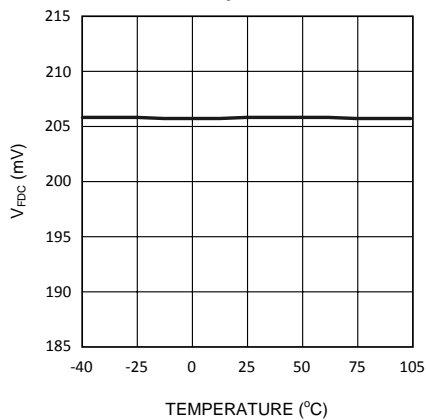


Figure 12.

**Timer High Voltage Threshold ( $V_{THVT}$ ) vs Temperature**

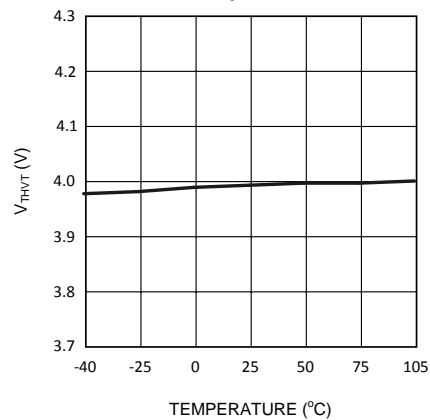


Figure 13.



**Typical Performance Characteristics (continued)**

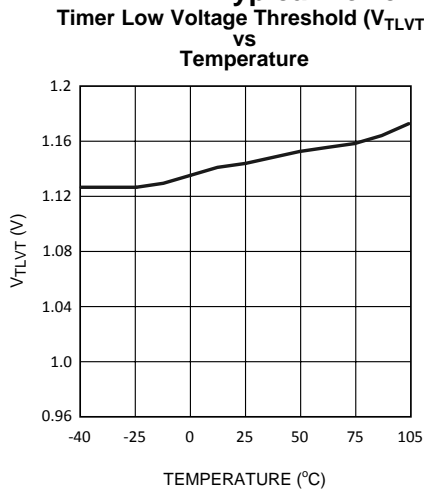


Figure 14.

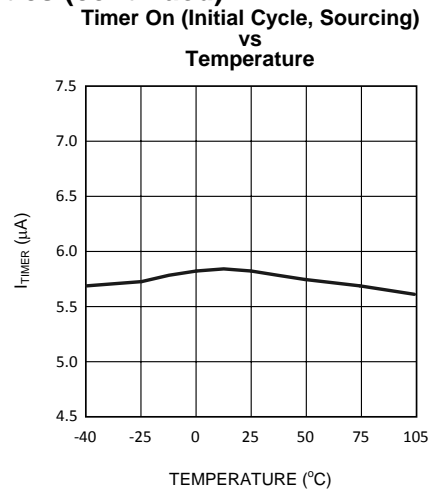


Figure 15.

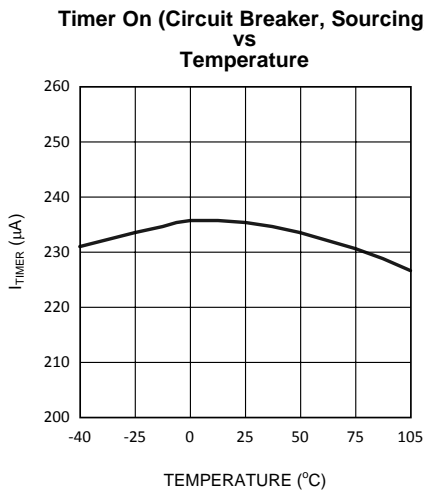


Figure 16.

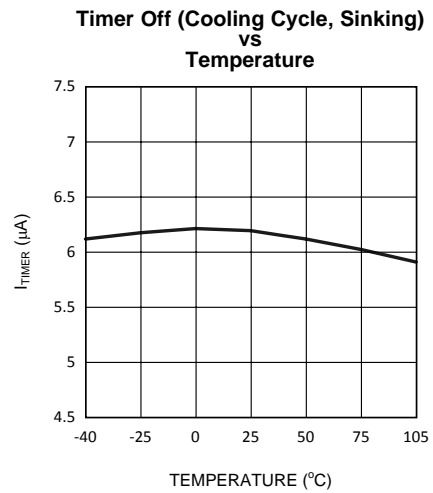


Figure 17.

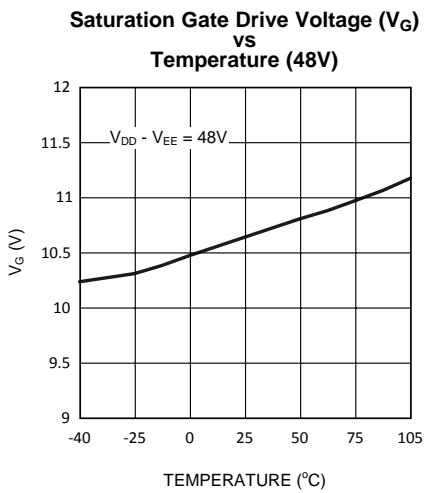


Figure 18.

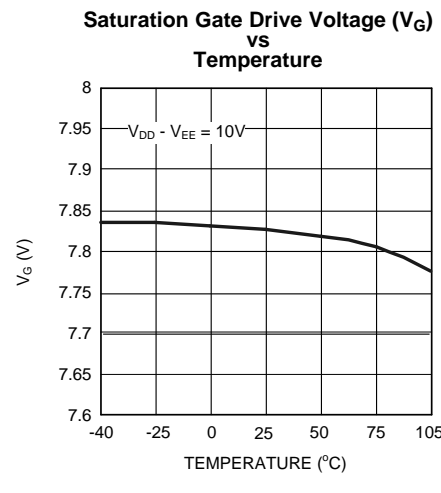


Figure 19.

**Typical Performance Characteristics (continued)**

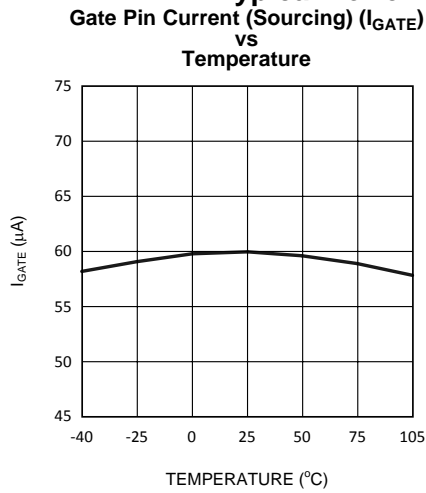


Figure 20.

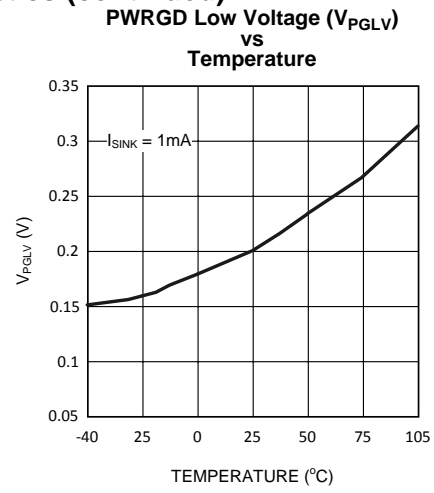


Figure 21.

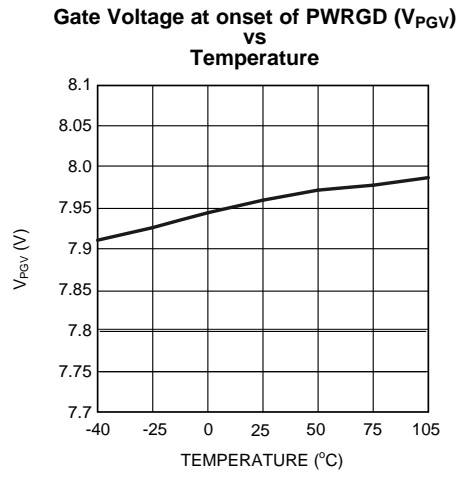


Figure 22.

## FUNCTION DESCRIPTION

The LM5068 is designed to facilitate the insertion and removal of circuit cards into live backplanes in a controlled manner. Because the supply bypass capacitors on the circuit card can draw large transient currents, it is critical to control the supply current during insertion to limit system power glitches and connector damage. Controlling in-rush current prevents other boards in the system from resetting during board insertion. Load short-circuit protection is accomplished by active current limiting of the load current. The topology of the LM5068 is illustrated in the simplified application circuit shown in Figure 23.

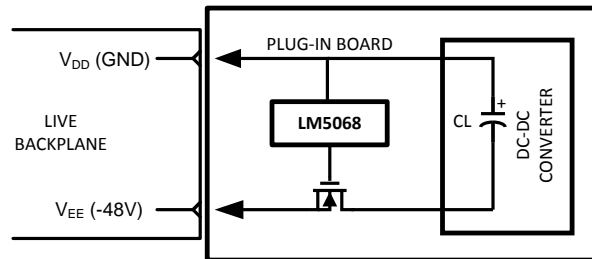


Figure 23. LM5068 Topology

## Start-Up Operation

The LM5068 resides on a removable circuit card. Power is applied to the load or power conversion circuitry through an external N-Channel MOSFET switch and current sense resistor.

When power is initially applied to the card, the gate of the external MOSFET is held low. When certain interlock conditions are met, a turn-on sequence begins and an internal 60  $\mu\text{A}$  current source charges the gate of the MOSFET. To initiate the start-up sequence, all of the following interlock conditions must be satisfied:

- The input voltage  $V_{DD} - V_{EE}$  exceeds 9V ( $V_{UVS}$ )
- The voltage at UV is above 2.5V ( $V_{UV}$ )
- The voltage at OV falls below 2.5V ( $V_{OV}$ )
- The voltage on the Timer capacitor ( $C_T$ ) is less than 1V ( $V_{TLVT}$ )
- The GATE pin is below 0.5V ( $V_{GLT}$ )

When all of the interlock conditions are met, a 6  $\mu\text{A}$  TIMER current source is enabled to charge the timer capacitor  $C_T$ . During this initial timer sequence the GATE output is held low. When the  $C_T$  capacitor successfully charges up to 4V, the TIMER circuit resets the timer capacitor to 1V and activates a 60  $\mu\text{A}$  current source ( $I_{GATE}$ ) into the MOSFET gate.

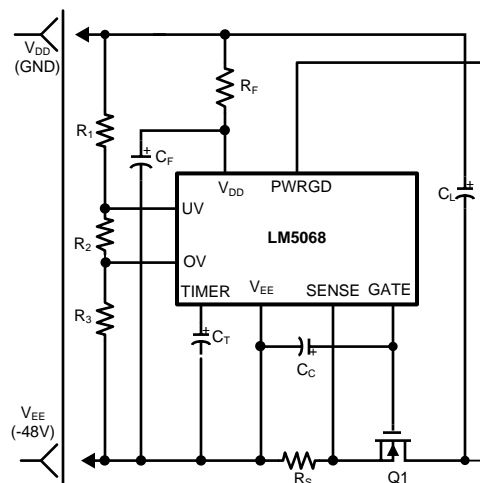


Figure 24. Hot Swap Controller

## Over and Under-Voltage Lockout

The line Under-voltage lockout (UVLO) circuitry of the LM5068 monitors  $V_{DD}$  for under-voltage conditions, where  $V_{UVS}$  is the negative going threshold and the hysteresis is  $V_{UVSH}$  (see [Electrical Characteristics](#)). A  $V_{DD} - V_{EE}$  voltage less than 8.5V ( $V_{UVS}$ ) keeps the controller in a disabled mode. Raising the  $V_{DD}$  voltage above 9.1V ( $V_{UVS} + V_{UVSH}$ ) releases the  $V_{DD}$  UVLO and enables the controller.

In addition to the internal UVLO circuit, the UV and OV comparators monitor the input line voltage through an external resistor divider. Programmable UV and OV comparator hysteresis is implemented with switched 20 $\mu$ A current sources that raise or lower the OV and UV pins when the comparators reach their threshold. Either UV or OV fault conditions will switch the GATE pin low and disconnect the power to the load. To restart the GATE pin, the supply voltage must return to a level which is greater than the UV fault and less than the OV fault threshold and all of the interlock conditions (with the exception of the TIMER) must be met.

Removal of the circuit card from the backplane initiates an under-voltage condition. The series MOSFET is then disabled to disconnect the source of power to the load. The under-voltage threshold and hysteresis are programmed by the external resistor divider connected to the UV pin.

## Timer

The value of the  $C_T$  capacitor sets the duration of the LM5068's timer delay and filter functions. There are four charging and discharging modes:

1. 6 $\mu$ A slow charge for initial timing delay and post-fault re-try timer (LM5068-2 and -4)
2. 240 $\mu$ A fast charge for circuit breaker delay.
3. 6 $\mu$ A slow discharge for circuit breaker "cool-off".
4. Low impedance switch to reset capacitor after initial timing delay, input under-voltage lockout, and during over-voltage and under-voltage initial timing.

## Current Control

The LM5068 has three current sense thresholds which protect the backplane supply and circuit card from overload conditions. The voltage drop across the sense resistor ( $R_S$ ) is monitored at the SENSE pin. The over-current protection functions are determined through the following three distinct thresholds at the SENSE pin:

1. Circuit Breaker (CB) threshold (typically 50mV)
2. Analog Current Limit (ACL) loop threshold (typically 100mV)
3. Fast Discharge Current (FDC) threshold (typically 200mV)

When the voltage drop across  $R_S$  exceeds 50mV the Circuit Breaker comparator indicates an over-load condition. The TIMER sources 240 $\mu$ A into  $C_T$  when SENSE exceeds 50mV and sinks 6 $\mu$ A from  $C_T$  when SENSE falls below 50mV. If the  $C_T$  capacitor ramps to a 4V threshold, a fault condition is declared and the gate of the MOSFET is forced low, disconnecting the power to the load.

Active Current Limiting (ACL) is activated when the voltage across sense resistor  $R_S$  reaches 100mV. The LM5068 controls the gate of the MOSFET and maintains a constant output load current equal to 100mV/  $R_S$ . In the ACL mode the SENSE pin is greater than 50mV and the TIMER charges  $C_T$  with 240 $\mu$ A. A fault will be declared if the LM5068 remains in the ACL mode longer than the circuit breaker timer period.

Fast Discharge Current (FDC) responds to fast rising over-loads such as short circuit faults. During a short circuit event the fast rising current may overshoot past the ACL threshold due to the finite response time of the ACL loop. If the SENSE voltage reaches 200mV a fast discharge comparator quickly pulls GATE pin low. The rapid response of the FDC circuit assures a fast and safe transition to the ACL mode.

The LM5068 circuit breaker action filters low duty cycle over-load conditions to avoid declaring a fault during short duration load transients. The timer charges capacitor  $C_T$  with 240 $\mu$ A when the SENSE voltage is greater than 50mV. When the SENSE pin voltage falls below 50mV, a 6 $\mu$ A current discharges the TIMER capacitor. Repetitive over-current faults with duty cycle greater than 2.5% will eventually charge  $C_T$  and trip the fault timer. This feature protects the pass MOSFET which has a fast heating and slow cooling characteristic.

## Latch-Off and Auto-Retry

If the fault conditions persist long enough for TIMER to charge  $C_T$  to 4V, the LM5068 latches off (LM5068-1, -3) or switches off and initiates the re-try timer (LM5068-2, -4).

At the fault condition, after reaching the 4V, the TIMER pin will continue to ramp-up with 6 $\mu$ A current source until it reaches the internal regulated voltage, which is equivalent to the saturation GATE drive voltage. The LM5068-1 and LM5068-3 remains off until the controller is reset by either temporarily pulling the UV pin low, pulling the TIMER pin below 1 volt, or decreasing the input voltage below the internal  $V_{DD}$  under-voltage lockout (UVLO) threshold.

The LM5068-2 and LM5068-4 respond to a fault condition by pulling the GATE and TIMER pins low and then initiating a timer sequence for automatic re-try. The re-try timer sequence begins with  $C_T$  capacitor being charged slowly to 4V with a 6 $\mu$ A current source and then discharged quickly to 1V with a 30mA discharge current. After 8 charge/discharge cycles the GATE pin is released and charged with a 60 $\mu$ A current source. If the fault condition persists, the LM5068 will again turn off the MOSFET and another 8-cycle fault timer sequence will begin.

## Power Good Flag

The power good flag (PWRGD) is activated when the MOSFET GATE is fully enhanced (>8V) and the voltage input UV and OV comparators are satisfied. The power good output is a 90V capable open drain N-Channel MOSFET. The LM5068-1 and LM5068-2 provide an active HIGH power-good state, while the LM5068-3 and LM5068-4 are configured for an active LOW power-good state. The UV comparator, OV comparator,  $V_{DD}$  UVLO, or a circuit breaker time-out will reset the power good flag.

## Internal Soft-Start

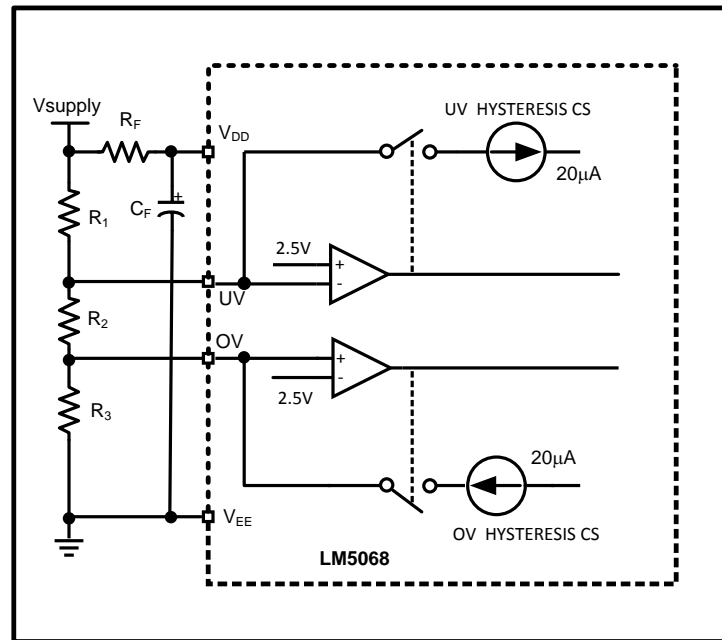
An internal soft-start feature ramps the (positive) input of the analog current limit amplifier during initial start-up. The ramp duration is approximately 200 $\mu$ s. This feature reduces the load current slew rate (di/dt) at start-up.

## Design Information

The LM5068 contains an internal regulator enabling the  $V_{DD}$  pin to be connected directly to the line voltage from 10 to 90V. A local RC filter (0.1 $\mu$ F ceramic capacitor and 499 $\Omega$  resistor) connected between  $V_{DD}$  and  $V_{EE}$  is recommended to filter supply transients that exceed the 100V Absolute Maximum Rating.

## UV and OV Thresholds and Voltage Divider Selection for R1, R2, and R3

Two comparators detect under-voltage and over-voltage conditions at the UV and OV pins. The threshold voltages ( $V_{UV}$ ,  $V_{OV}$ ) of the UV and OV comparators are nominally 2.5V. Hysteresis is accomplished by 20 $\mu$ A current sources ( $I_{UVHCS}$ ), into the external resistor divider connected to the UV and OV pins as shown in [Figure 25](#)



**Figure 25. UV/OV Setting**

Hysteresis is necessary to prevent a possible “chattering” condition when the controller enables or disables the external MOSFET. The change in line current interacts with the line impedance. This interaction can cause several rapid on/off cycles on the MOSFET. A hysteresis window larger than the line impedance voltage drop prevents this condition.

The impedance seen looking into the resistor divider from the UV and OV pin determines the hysteresis level. UV/OV ON and OFF thresholds are calculated as follow:

$$\text{UV turn-on} = \left( \frac{R_1}{R_2 + R_3} V_{UV} \right) + V_{UV} + I_{UVHCS} R_1 \quad (1)$$

$$\text{UV turn-off} = \frac{R_1 + R_2 + R_3}{R_2 + R_3} V_{UV} \quad (2)$$

$$\text{OV turn-off} = \frac{R_1 + R_2 + R_3}{R_3} V_{OV} \quad (3)$$

$$\text{OV turn-on} = \left[ \left( \frac{V_{OV}}{R_3} - I_{UVHCS} \right) (R_1 + R_2) \right] + V_{OV} \quad (4)$$

The independent UV and OV pins provide complete flexibility for the user to select the operational voltage range of the system. However, due to the UV Abs Max rating, the UV and OV thresholds can't be simultaneously set to extremes in one resistor string. For the wide ranges of input voltages (i.e. UV threshold to 12V and OV threshold to 90V) it is recommended to use two separate voltage dividers to set the UV and OV thresholds independently.

The typical operating ranges of under-voltage and over-voltage thresholds are calculated from the above equations with known resistors. For example, for resistor values: R1=130KΩ, R2=5.5KΩ, and R3=4.5KΩ, the computed thresholds are:

- UV turn-on = **37.60V**
- UV turn-off = **35.0V**
- OV turn-off = **77.78V**
- OV turn-on = **75.07V**

To maintain the threshold's accuracy, a resistor tolerance of 1% or better is recommended.

### Calculation of Normal, Circuit Breaker, and Retry Timing

The C<sub>T</sub> capacitor at the TIMER pin controls the timing functions of the LM5068. When the interlock conditions are met the timer capacitor is charged to 4V in a slow initial delay time period t<sub>IDT</sub> calculated from:

$$t_{IDT} = \frac{4V \times C_T}{6 \mu A} \quad (5)$$

If the SENSE pin detects more than 50mV across R<sub>S</sub>, the TIMER pin charges C<sub>T</sub> with 240μA. The Circuit Breaker timeout period t<sub>CBT</sub> is calculated from:

$$t_{CBT} = \frac{4V \times C_T}{240 \mu A} \quad (6)$$

When the LM5068-2 or LM5068-4 is latched, it pulls down the GATE pin and initiates eight, 6μA charging cycles between 1V and 4V on C<sub>T</sub>. The total re-try time period t<sub>RT</sub> is given by:

$$t_{RT} = \frac{8 \times 3V \times C_T}{6 \mu A} \quad (7)$$

### Sense Resistor ( $R_S$ ), Timer Capacitor ( $C_T$ ) and N-Channel Mosfet ( $Q_1$ ) Selection

To select the proper MOSFET, the following safe operating area (SOA) parameters are needed: maximum input voltage, maximum current and the maximum current conduction time.

First,  $R_S$  is calculated for the maximum operating load current ( $I_{L(MAX)}$ ) and the minimum circuit breaker trip point ( $V_{CB(MIN)}$ ):

$$R_S = \frac{V_{CB(MIN)}}{I_{L(MAX)}} = \frac{40mV}{I_{L(MAX)}} \quad (8)$$

During the initial charging process, the LM5068 may operate the MOSFET in current limit, forcing  $V_{AC(MIN)}$  (80mV) to  $V_{AC(MAX)}$  (120mV) across  $R_S$ .

The minimum in-rush current and maximum short-circuit limit are calculated from:

$$I_{INRUSH(MIN)} = \frac{80mV}{R_S} \quad (9)$$

$$I_{SHORT-CIRCUIT(MAX)} = \frac{120mV}{R_S} \quad (10)$$

The value of TIMER capacitor ( $C_T$ ) is calculated in order to prevent  $C_T$  from timing out before the load capacitor is fully charged using the slowest expected charging rate of the load capacitor. Assuming there is no initial resistive loading, the time necessary to charge the load capacitor  $C_L$  is calculated from:

$$t_{CL\ CHARGE} = \frac{C_L \times V_{IN(MAX)}}{I_{INRUSH(MIN)}} \quad (11)$$

Applying [Equation 9](#) and [Equation 11](#) to [Equation 6](#) gives the TIMER capacitor value of:

$$C_T = \frac{C_L \times V_{IN(MAX)} \times R_S \times 240\mu A}{4V \times 80mV} \quad (12)$$

Finally, the SOA curves of a prospective MOSFET are checked using  $V_{IN(MAX)}$ , and  $I_{SHORT-CIRCUIT(MAX)}$  calculated from [Equation 10](#) and time of the current flow from [Equation 6](#).

Example: For:  $I_L=1A$ ,  $V_{DD} = 48V$ ,  $V_{DD(MAX)} = 100V$  and  $C_L=100\mu F$ ,

$$R_S = \frac{40mV}{1A} = 40m\Omega \quad (13)$$

$$C_T = \frac{100\mu F \times 100V \times 40m\Omega \times 240\mu A}{4V \times 80mV} = 300nF \quad (14)$$

To account for tolerances of  $R_S$ ,  $C_L$ , TIMER current and TIMER threshold voltage, the computed  $C_T$  value should be increased, for this example 50% was selected, therefore:

$$C_T = 300nF \cdot 1.5 = 450nF$$

The maximum active current limiting value and duration are:

$$I_{SHORT-CIRCUIT(MAX)} = \frac{120mV}{40m\Omega} = 3A \quad (15)$$

$$t_{CBT} = \frac{4V \times C_T}{240\mu A} = \frac{4V \times 450nF}{240\mu A} = 7.5ms \quad (16)$$



The N-channel MOSFET selection for use with the LM5068 controller in this example must be capable of sustaining  $V_{DD}=100V$  and  $I_{(MAX)}=3A$  for 7.5ms in the worst case fault condition. A device that meets the established criteria is the Vishay - 5UB85N10-10.

### External Sense Resistor

Precise current measurement depends on the accuracy of the sense resistor ( $R_S$ ). For the optimal results, Kelvin connection and close location of  $R_S$  to the LM5068 should be considered. Figure 26 demonstrates PCB layout for the Kelvin sensing.

The  $R_S$  power rating should be greater than  $I_L^2 \cdot R$ , where  $I_L$  is the normal maximum operating load.

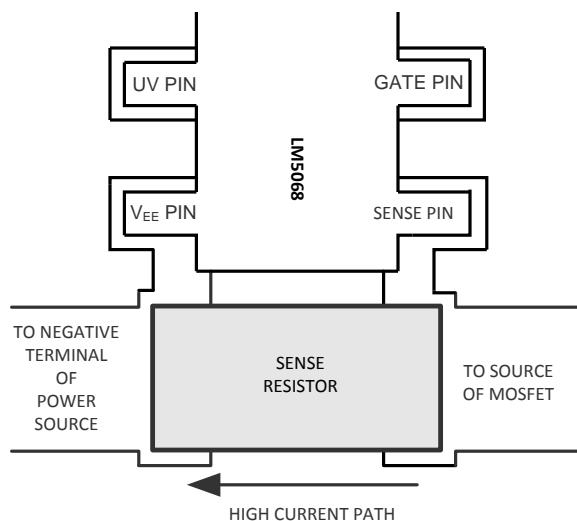


Figure 26. Sense Resistor Connections

### Timing Diagrams

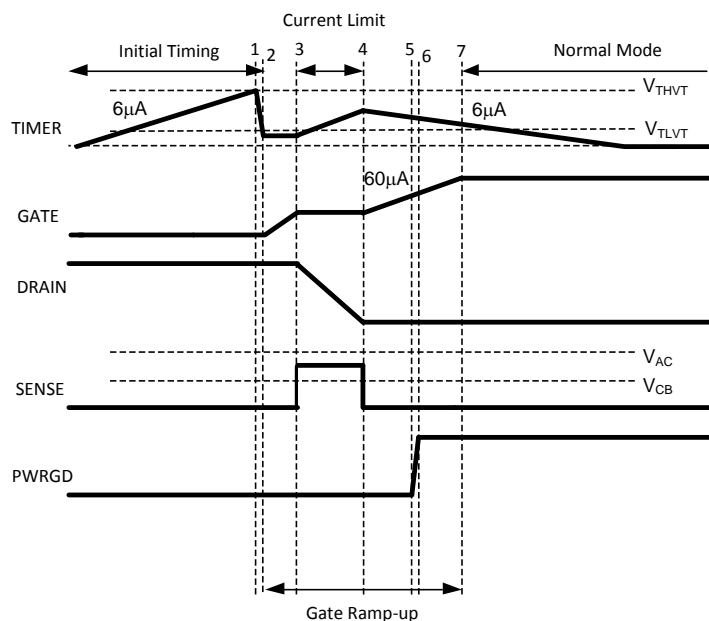
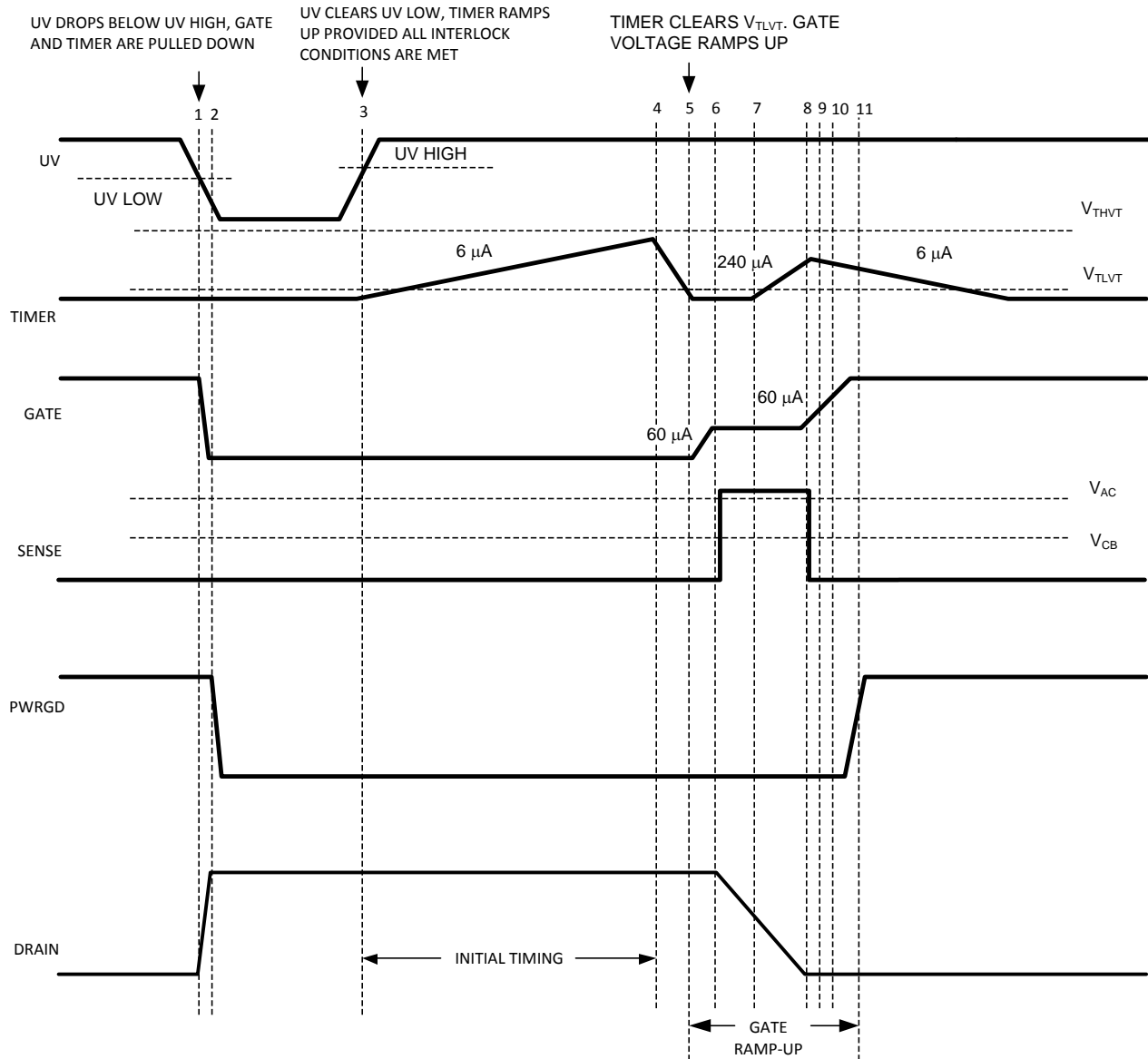


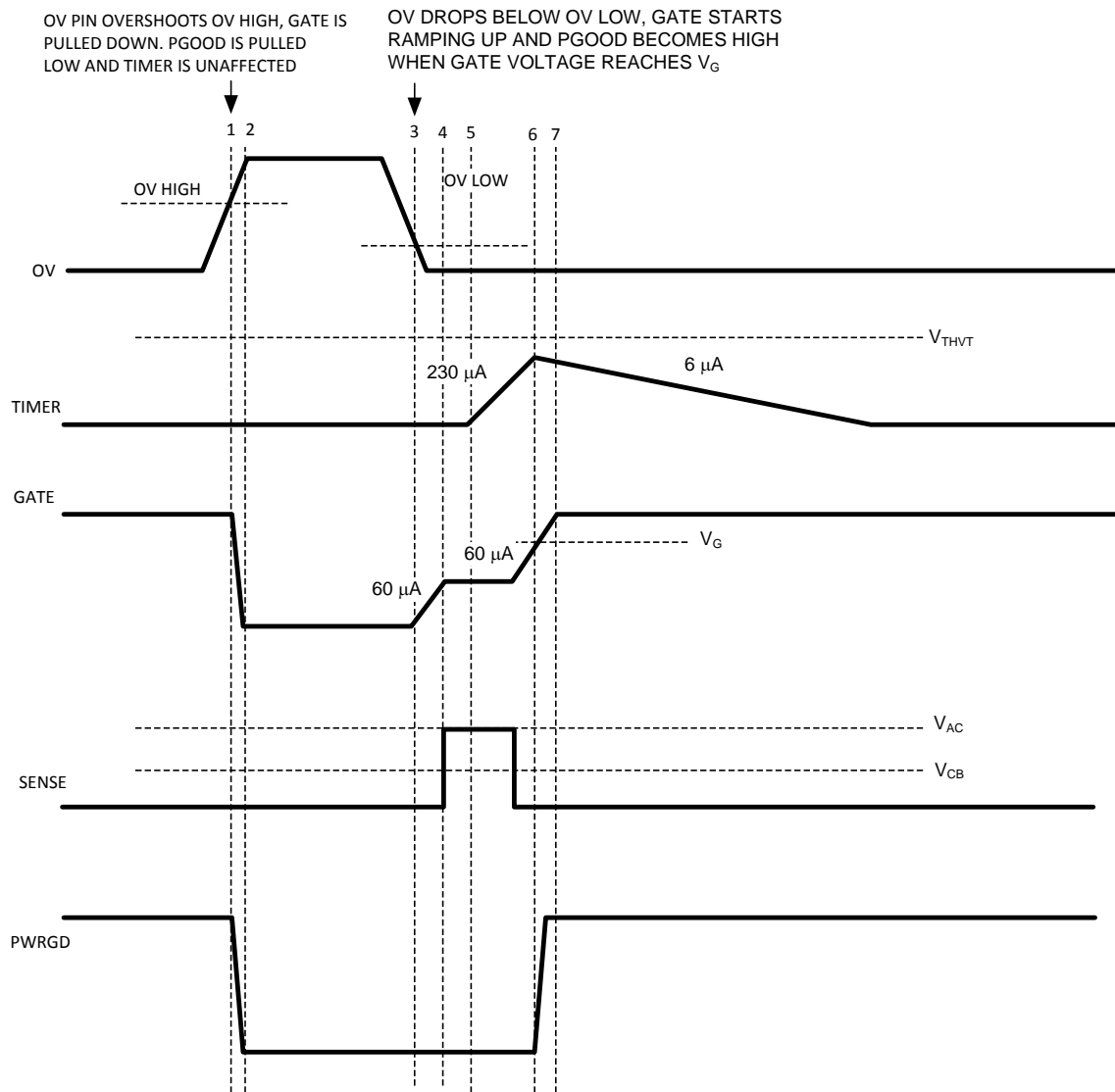
Figure 27. System Power-Up Timing Behavior

Assuming all of the initial conditions are met, the power-up sequence starts with Timer capacitor ( $C_T$ ) getting charged.  $C_T$  is charged with  $6\mu\text{A}$  current source up to  $V_{\text{THVT}}$  (4V) then quickly discharge to  $V_{\text{TLVT}}$  (1V). At time point (2) the  $60\mu\text{A}$  GATE current source is enabled. The GATE voltage increases until the MOSFET starts conducting causing the SENSE voltage to increase until Active Current Limiting is activated (3). During the current limiting period (3-4),  $C_T$  is charged again, but there is not enough time to reach the 4V threshold before the load capacitor is fully charged and the SENSE voltage falls below  $V_{\text{CB}}$ . The GATE continues to fully enhance the MOSFET and activating the PWRGD when the GATE voltage exceeds 8V (see Figure 27).



**Figure 28. Under-Voltage Timing Behavior**

UV drops below UV HIGH (time point 1) puts the controller into a disabled mode. Later, UV increases over the UV LOW threshold (time point 3), which initiates a system power-up sequence.



**Figure 29. Over-Voltage Timing Behavior**

During normal operation, if the OV pin exceeds OV HIGH, as shown at time point 1 in the above diagram, the TIMER status is unaffected. The GATE and PWRGD ( for LM5068-1 & -2) pins are pulled low and the load is disconnected. At time point 2, OV recovers and drops below the OV LOW threshold, the GATE start-up cycle begins. If the load capacitor is completely depleted during OV conditions, a full start-up cycle is initiated.

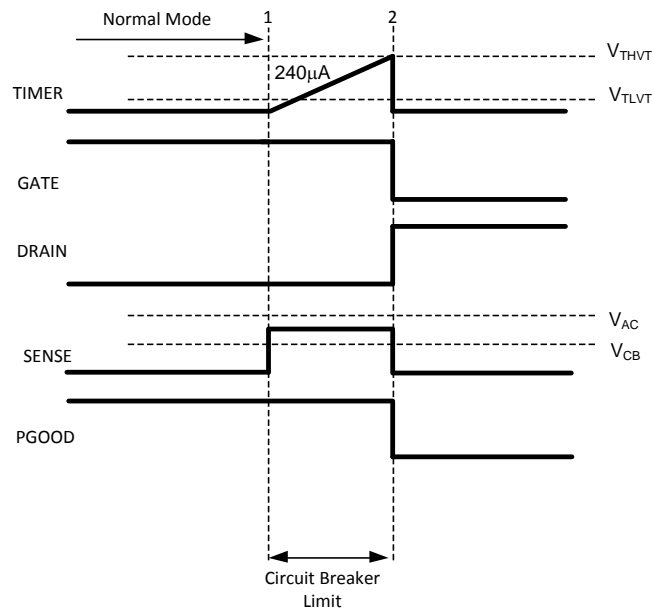


Figure 30. Circuit Breaker Current Limit Fault

The above timing waveform shows the circuit breaker current limit fault behavior. The timer capacitor is charged with  $240\mu A$  when the SENSE pin exceeds  $V_{CB}$ . If the SENSE pin drops below  $V_{CB}$  before the TIMER reaches  $V_{THVT}$ , the timer capacitor will be discharged with  $6\mu A$ . In the above figure when TIMER exceeds  $V_{THVT}$ , GATE is pulled low immediately to disconnect power to the load.

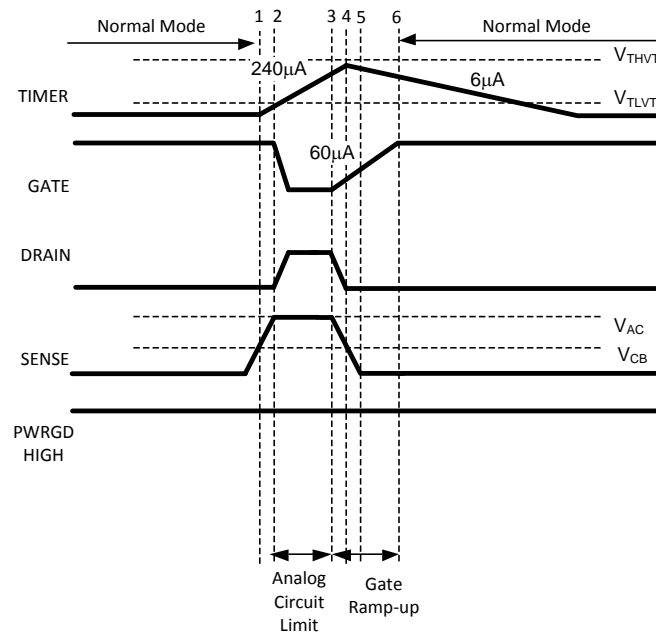


Figure 31. Analog Current Limit Fault

Figure 31 shows analog current limit behavior when the SENSE pin voltage exceeds  $V_{AC}$  for a period of time, which activates the Analog Current Limit but never reaches the fault timer threshold. At that time the GATE is regulated by the analog current limit amplifier loop. When the SENSE voltage falls below  $V_{AC}$ , GATE is allowed to charge with a  $60\mu\text{A}$  current source. A compensation circuit consisting of a resistor and a capacitor in series, connected between GATE and  $V_{EE}$  stabilizes the current limit loop.

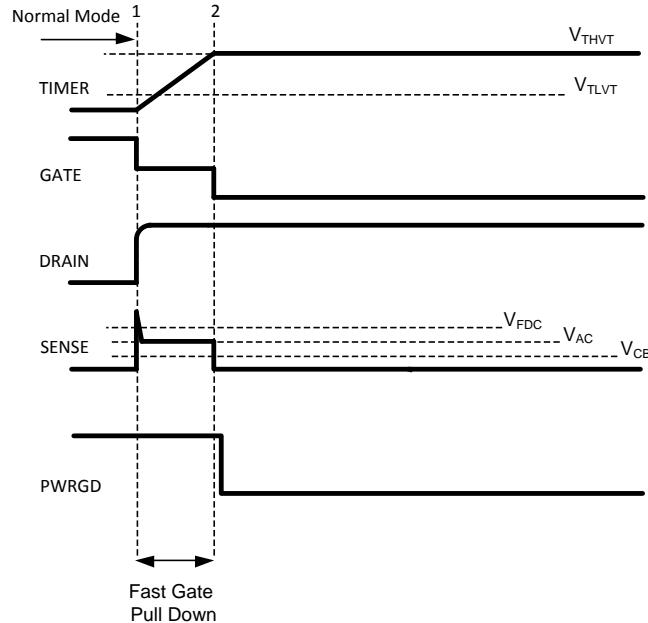
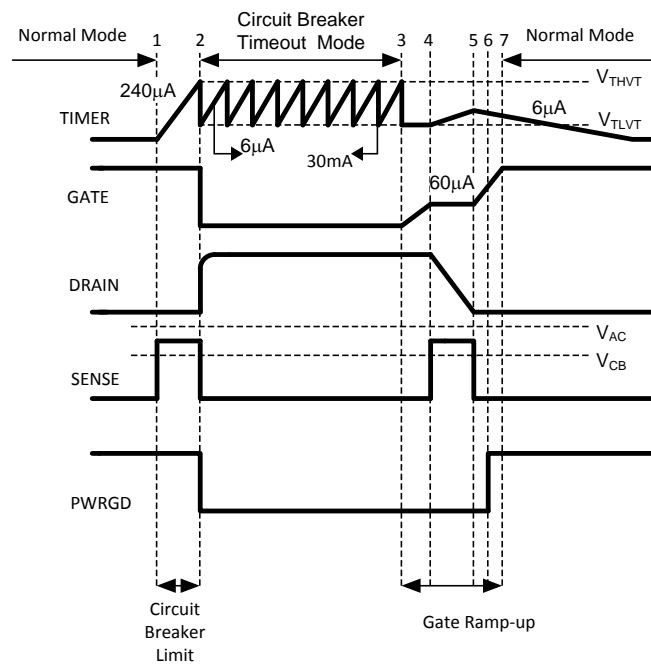


Figure 32. Fast Current Limit Fault

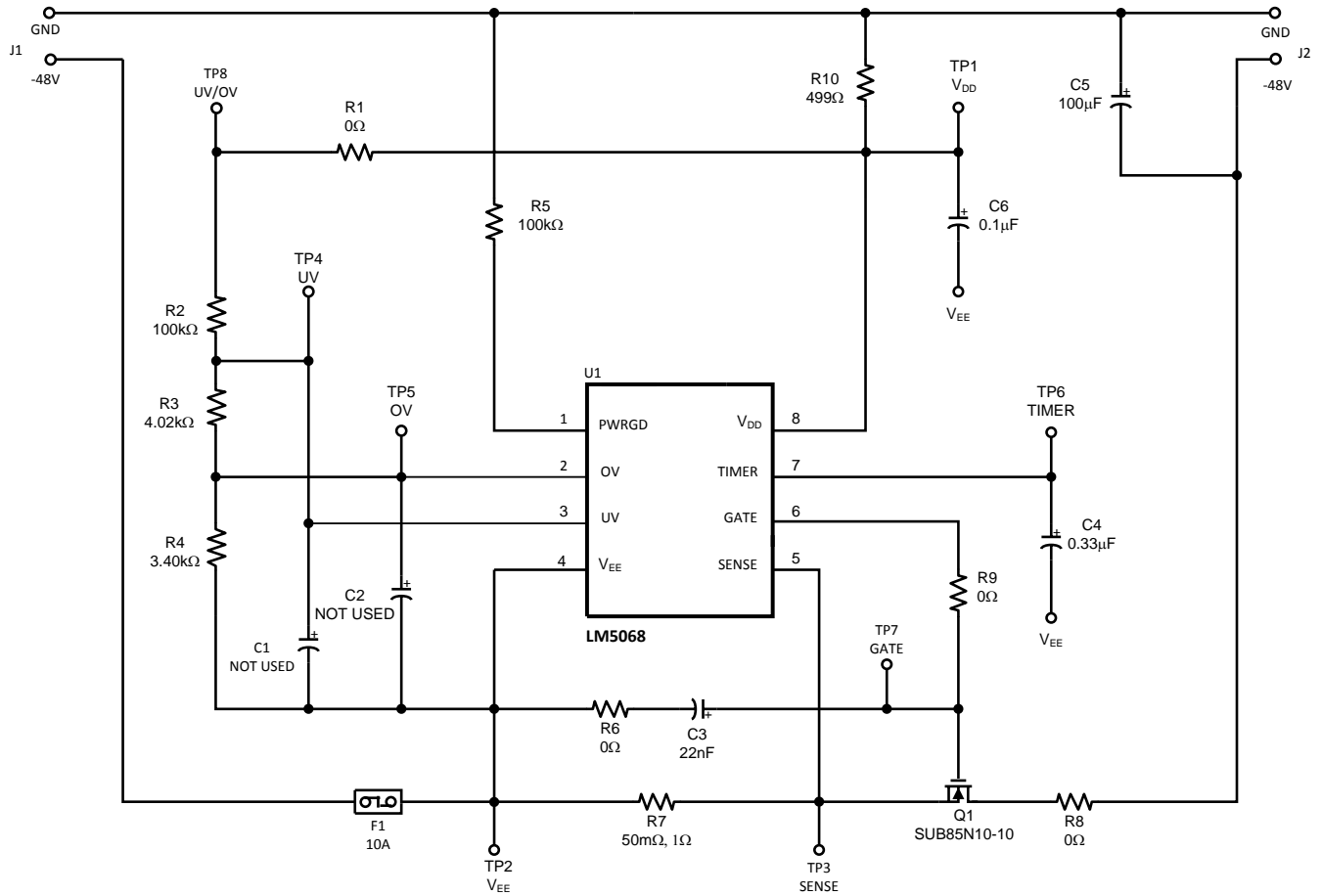
In case of a severe fault (for example sudden short-circuit of the output load) the SENSE pin exceeds the  $V_{FDC}$  threshold and GATE immediately pulls down until the Active Current Limit loop establishes control of the current in the MOSFET. Careful selection of TIMER capacitor and MOSFET with adequate current and voltage ratings will prevent damage to MOSFET low impedance faults.



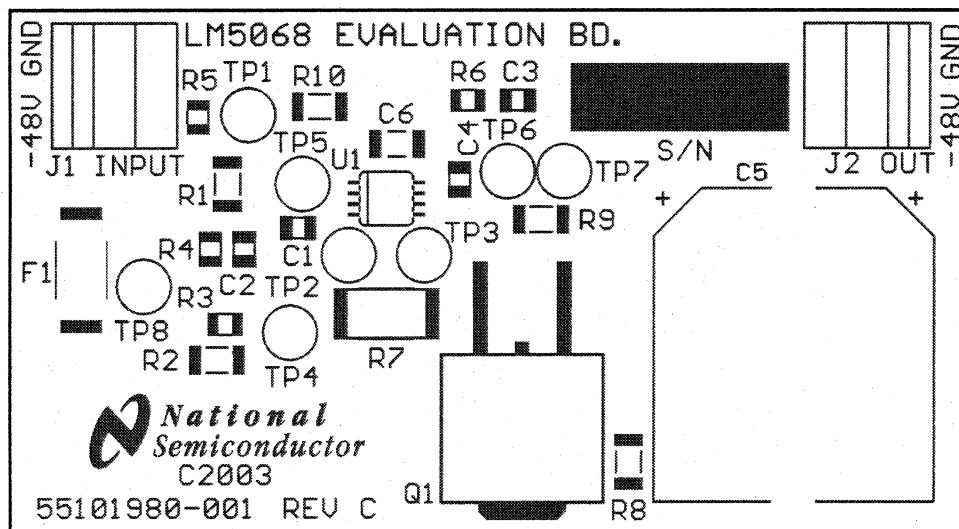
**Figure 33. Shutdown Cooling Timing Behavior**

Figure 33 shows the timer behavior for LM5068-2, -4 during fault re-try time. During normal operation, whenever the SENSE pin exceeds the 50mV, circuit breaker fault limit, the timer capacitor begins to charge. If the TIMER pin voltage exceeds 4V, the GATE is pulled down immediately, and LM5068-2, -4 disconnects power to the load. The TIMER starts the fault re-try cycle by discharging  $C_T$  with 30mA to the  $V_{TLVT}$  threshold. The TIMER then charges  $C_T$  with 6µA to the  $V_{THVT}$  threshold. After eight charging phases and nine discharging phases, LM5068-2, -4 initiates an automatic retry start-up cycle.

Evaluation Board Schematic

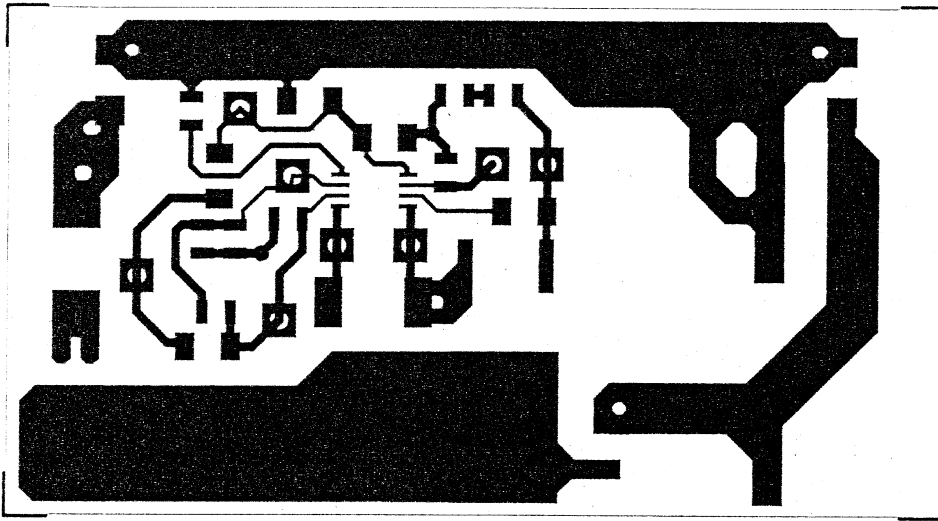


PART	VALUE	PACKAGE	DESCRIPTION	PART NUMBER
C1	NOT USED			
C2	NOT USED			
C3	0.022uF / 50V	C0805	CAPACITOR, CERAMIC, KEMET	C0805C223K5RAC
C4	0.33uF / 50V	C0805	CAPACITOR, CERAMIC, KEMET	C0805C334K5RAC
C5	100uF / 100V		CAPACITOR, ALUMINIUM ELECTROLYTIC, SURFACE MOUNT, PANASONIC	EEV-FK2A101M
C6	0.1uF / 100V	C1206	CAPACITOR, CERAMIC, TDK	C3216X7R2A104KT
F1	10A FUSE	SMD_FUSE	COOPER BUSSMAN FAST ACTING FUSE TRON	TR/SFT-10 (Digikey # 283-2439-2-ND)
J1	PCB terminal Blocks/ 10A		MOUSER TERMINAL BLOCKS	651-1727010
J2	PCB terminal Blocks/ 10A		MOUSER TERMINAL BLOCKS	651-1727010
Q1	100V / 60A	N-Channel Power MOSFET, TO263	VISHAY	SUB85N10-10
R1	0	R1206	SMD RESISTOR, 1% TOL	CRCW12060000F
R2	100K	R1206	SMD RESISTOR, 1% TOL	CRCW12061003F
R3	4.02K	R0805	SMD RESISTOR, 1% TOL	CRCW08053401F
R4	3.04K	R0805	SMD RESISTOR, 1% TOL	CRCW08053040F
R5	100K	R0805	SMD RESISTOR, 1% TOL	CRCW08051003F
R6	0	R0805	SMD RESISTOR, 1% TOL	CRCW08050000F
R7	50m	R2512	SMD RESISTOR, 1% TOL	WSL-2512 .050F
R8	0	R1206	SMD RESISTOR, 1% TOL	CRCW12060000F
R9	0	R1206	SMD RESISTOR, 1% TOL	CRCW12060000F
R10	499	R1206	SMD RESISTOR, 1% TOL	CRCW1206499RF
U1	LM5068	VSSOP-8	Texas Instruments	LM5068

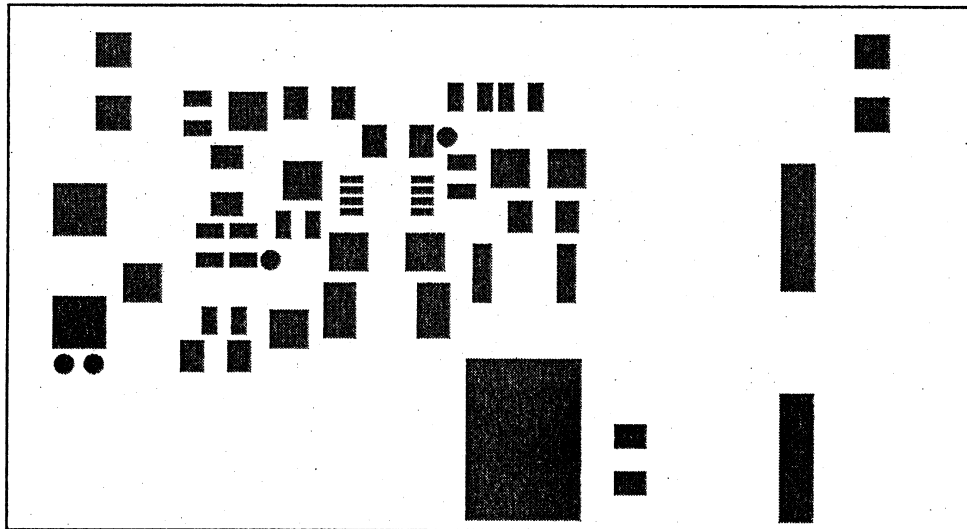


SILKSCREEN (PLACE) LAYER AS VIEWED FROM TOP

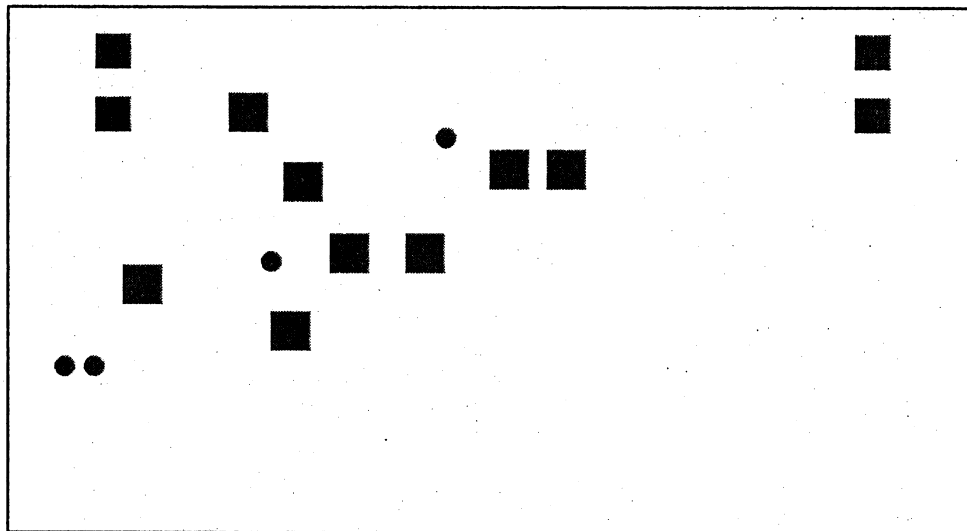




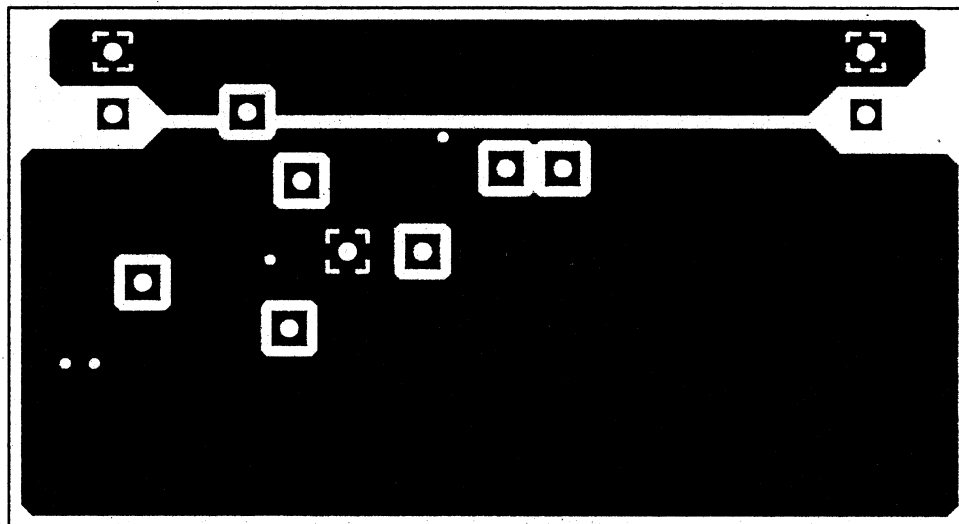
TOP (COMPONENT) LAYER AS VIEWED FROM TOP



TOP SIDE SOLDERMASK AS VIEWED FROM TOP



BOTTOM SIDE SOLDERMASK AS VIEWED FROM TOP



BOTTOM (SOLDER) LAYER AS VIEWED FROM TOP

---

**REVISION HISTORY**

<b>Changes from Revision B (March 2013) to Revision C</b>	<b>Page</b>
<hr/> <ul style="list-style-type: none"><li>• Changed layout of National Data Sheet to TI format .....</li></ul>	<hr/> <a href="#">26</a>

**PACKAGING INFORMATION**

Orderable Device	Status (1)	Package Type	Package Drawing	Pins	Package Qty	Eco Plan (2)	Lead/Ball Finish	MSL Peak Temp (3)	Op Temp (°C)	Top-Side Markings (4)	Samples
LM5068MM-1	ACTIVE	VSSOP	DGK	8	1000	TBD	Call TI	Call TI	-40 to 105	S66B	<a href="#">Samples</a>
LM5068MM-1/NOPB	ACTIVE	VSSOP	DGK	8	1000	Green (RoHS & no Sb/Br)	CU SN	Level-1-260C-UNLIM	-40 to 105	S66B	<a href="#">Samples</a>
LM5068MM-2	ACTIVE	VSSOP	DGK	8	1000	TBD	Call TI	Call TI	-40 to 105	S67B	<a href="#">Samples</a>
LM5068MM-2/NOPB	ACTIVE	VSSOP	DGK	8	1000	Green (RoHS & no Sb/Br)	CU SN	Level-1-260C-UNLIM	-40 to 105	S67B	<a href="#">Samples</a>
LM5068MM-3	ACTIVE	VSSOP	DGK	8	1000	TBD	Call TI	Call TI	-40 to 105	S68B	<a href="#">Samples</a>
LM5068MM-3/NOPB	ACTIVE	VSSOP	DGK	8	1000	Green (RoHS & no Sb/Br)	CU SN	Level-1-260C-UNLIM	-40 to 105	S68B	<a href="#">Samples</a>
LM5068MM-4	ACTIVE	VSSOP	DGK	8	1000	TBD	Call TI	Call TI	-40 to 105	S69B	<a href="#">Samples</a>
LM5068MM-4/NOPB	ACTIVE	VSSOP	DGK	8	1000	Green (RoHS & no Sb/Br)	CU SN	Level-1-260C-UNLIM	-40 to 105	S69B	<a href="#">Samples</a>
LM5068MMX-1	ACTIVE	VSSOP	DGK	8	3500	TBD	Call TI	Call TI	-40 to 105	S66B	<a href="#">Samples</a>
LM5068MMX-1/NOPB	ACTIVE	VSSOP	DGK	8	3500	Green (RoHS & no Sb/Br)	CU SN	Level-1-260C-UNLIM	-40 to 105	S66B	<a href="#">Samples</a>
LM5068MMX-2	ACTIVE	VSSOP	DGK	8	3500	TBD	Call TI	Call TI	-40 to 105	S67B	<a href="#">Samples</a>
LM5068MMX-2/NOPB	ACTIVE	VSSOP	DGK	8	3500	Green (RoHS & no Sb/Br)	CU SN	Level-1-260C-UNLIM	-40 to 105	S67B	<a href="#">Samples</a>
LM5068MMX-3	ACTIVE	VSSOP	DGK	8	3500	TBD	Call TI	Call TI	-40 to 105	S68B	<a href="#">Samples</a>
LM5068MMX-3/NOPB	ACTIVE	VSSOP	DGK	8	3500	Green (RoHS & no Sb/Br)	CU SN	Level-1-260C-UNLIM	-40 to 105	S68B	<a href="#">Samples</a>
LM5068MMX-4	ACTIVE	VSSOP	DGK	8	3500	TBD	Call TI	Call TI	-40 to 105	S69B	<a href="#">Samples</a>
LM5068MMX-4/NOPB	ACTIVE	VSSOP	DGK	8	3500	Green (RoHS & no Sb/Br)	CU SN	Level-1-260C-UNLIM	-40 to 105	S69B	<a href="#">Samples</a>

(1) The marketing status values are defined as follows:

**ACTIVE:** Product device recommended for new designs.

**LIFEBUY:** TI has announced that the device will be discontinued, and a lifetime-buy period is in effect.

**NRND:** Not recommended for new designs. Device is in production to support existing customers, but TI does not recommend using this part in a new design.

**PREVIEW:** Device has been announced but is not in production. Samples may or may not be available.

---

**OBSOLETE:** TI has discontinued the production of the device.

<sup>(2)</sup> Eco Plan - The planned eco-friendly classification: Pb-Free (RoHS), Pb-Free (RoHS Exempt), or Green (RoHS & no Sb/Br) - please check <http://www.ti.com/productcontent> for the latest availability information and additional product content details.

**TBD:** The Pb-Free/Green conversion plan has not been defined.

**Pb-Free (RoHS):** TI's terms "Lead-Free" or "Pb-Free" mean semiconductor products that are compatible with the current RoHS requirements for all 6 substances, including the requirement that lead not exceed 0.1% by weight in homogeneous materials. Where designed to be soldered at high temperatures, TI Pb-Free products are suitable for use in specified lead-free processes.

**Pb-Free (RoHS Exempt):** This component has a RoHS exemption for either 1) lead-based flip-chip solder bumps used between the die and package, or 2) lead-based die adhesive used between the die and leadframe. The component is otherwise considered Pb-Free (RoHS compatible) as defined above.

**Green (RoHS & no Sb/Br):** TI defines "Green" to mean Pb-Free (RoHS compatible), and free of Bromine (Br) and Antimony (Sb) based flame retardants (Br or Sb do not exceed 0.1% by weight in homogeneous material)

<sup>(3)</sup> MSL, Peak Temp. -- The Moisture Sensitivity Level rating according to the JEDEC industry standard classifications, and peak solder temperature.

<sup>(4)</sup> Multiple Top-Side Markings will be inside parentheses. Only one Top-Side Marking contained in parentheses and separated by a "~" will appear on a device. If a line is indented then it is a continuation of the previous line and the two combined represent the entire Top-Side Marking for that device.

**Important Information and Disclaimer:** The information provided on this page represents TI's knowledge and belief as of the date that it is provided. TI bases its knowledge and belief on information provided by third parties, and makes no representation or warranty as to the accuracy of such information. Efforts are underway to better integrate information from third parties. TI has taken and continues to take reasonable steps to provide representative and accurate information but may not have conducted destructive testing or chemical analysis on incoming materials and chemicals. TI and TI suppliers consider certain information to be proprietary, and thus CAS numbers and other limited information may not be available for release.

In no event shall TI's liability arising out of such information exceed the total purchase price of the TI part(s) at issue in this document sold by TI to Customer on an annual basis.

**TAPE AND REEL INFORMATION**

**QUADRANT ASSIGNMENTS FOR PIN 1 ORIENTATION IN TAPE**


\*All dimensions are nominal

Device	Package Type	Package Drawing	Pins	SPQ	Reel Diameter (mm)	Reel Width W1 (mm)	A0 (mm)	B0 (mm)	K0 (mm)	P1 (mm)	W (mm)	Pin1 Quadrant
LM5068MM-1	VSSOP	DGK	8	1000	178.0	12.4	5.3	3.4	1.4	8.0	12.0	Q1
LM5068MM-1/NOPB	VSSOP	DGK	8	1000	178.0	12.4	5.3	3.4	1.4	8.0	12.0	Q1
LM5068MM-2	VSSOP	DGK	8	1000	178.0	12.4	5.3	3.4	1.4	8.0	12.0	Q1
LM5068MM-2/NOPB	VSSOP	DGK	8	1000	178.0	12.4	5.3	3.4	1.4	8.0	12.0	Q1
LM5068MM-3	VSSOP	DGK	8	1000	178.0	12.4	5.3	3.4	1.4	8.0	12.0	Q1
LM5068MM-3/NOPB	VSSOP	DGK	8	1000	178.0	12.4	5.3	3.4	1.4	8.0	12.0	Q1
LM5068MM-4	VSSOP	DGK	8	1000	178.0	12.4	5.3	3.4	1.4	8.0	12.0	Q1
LM5068MM-4/NOPB	VSSOP	DGK	8	1000	178.0	12.4	5.3	3.4	1.4	8.0	12.0	Q1
LM5068MMX-1	VSSOP	DGK	8	3500	330.0	12.4	5.3	3.4	1.4	8.0	12.0	Q1
LM5068MMX-1/NOPB	VSSOP	DGK	8	3500	330.0	12.4	5.3	3.4	1.4	8.0	12.0	Q1
LM5068MMX-2	VSSOP	DGK	8	3500	330.0	12.4	5.3	3.4	1.4	8.0	12.0	Q1
LM5068MMX-2/NOPB	VSSOP	DGK	8	3500	330.0	12.4	5.3	3.4	1.4	8.0	12.0	Q1
LM5068MMX-3	VSSOP	DGK	8	3500	330.0	12.4	5.3	3.4	1.4	8.0	12.0	Q1
LM5068MMX-3/NOPB	VSSOP	DGK	8	3500	330.0	12.4	5.3	3.4	1.4	8.0	12.0	Q1
LM5068MMX-4	VSSOP	DGK	8	3500	330.0	12.4	5.3	3.4	1.4	8.0	12.0	Q1
LM5068MMX-4/NOPB	VSSOP	DGK	8	3500	330.0	12.4	5.3	3.4	1.4	8.0	12.0	Q1

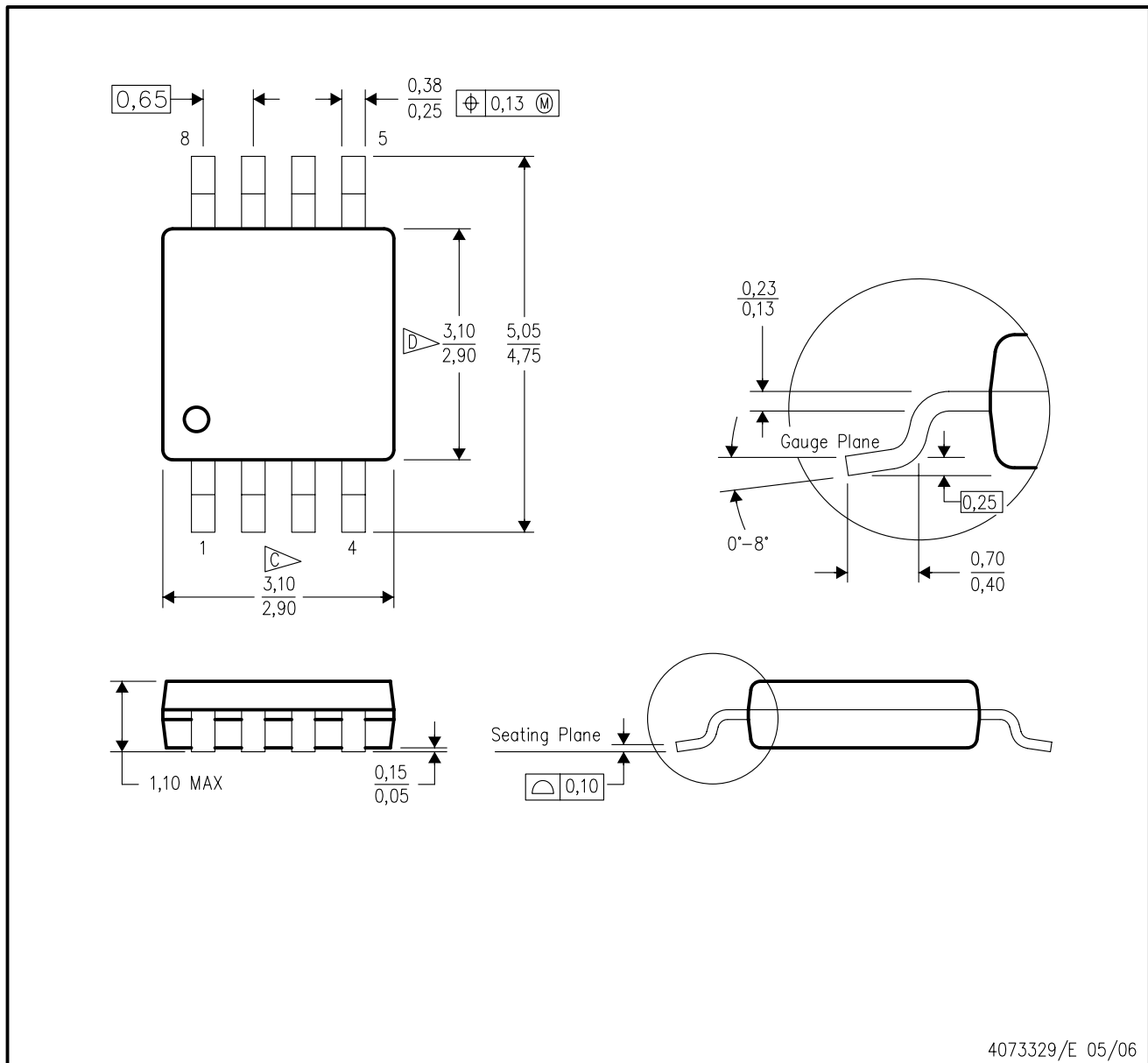
**TAPE AND REEL BOX DIMENSIONS**


\*All dimensions are nominal

Device	Package Type	Package Drawing	Pins	SPQ	Length (mm)	Width (mm)	Height (mm)
LM5068MM-1	VSSOP	DGK	8	1000	210.0	185.0	35.0
LM5068MM-1/NOPB	VSSOP	DGK	8	1000	210.0	185.0	35.0
LM5068MM-2	VSSOP	DGK	8	1000	210.0	185.0	35.0
LM5068MM-2/NOPB	VSSOP	DGK	8	1000	210.0	185.0	35.0
LM5068MM-3	VSSOP	DGK	8	1000	210.0	185.0	35.0
LM5068MM-3/NOPB	VSSOP	DGK	8	1000	210.0	185.0	35.0
LM5068MM-4	VSSOP	DGK	8	1000	210.0	185.0	35.0
LM5068MM-4/NOPB	VSSOP	DGK	8	1000	210.0	185.0	35.0
LM5068MMX-1	VSSOP	DGK	8	3500	367.0	367.0	35.0
LM5068MMX-1/NOPB	VSSOP	DGK	8	3500	367.0	367.0	35.0
LM5068MMX-2	VSSOP	DGK	8	3500	367.0	367.0	35.0
LM5068MMX-2/NOPB	VSSOP	DGK	8	3500	367.0	367.0	35.0
LM5068MMX-3	VSSOP	DGK	8	3500	367.0	367.0	35.0
LM5068MMX-3/NOPB	VSSOP	DGK	8	3500	367.0	367.0	35.0
LM5068MMX-4	VSSOP	DGK	8	3500	367.0	367.0	35.0
LM5068MMX-4/NOPB	VSSOP	DGK	8	3500	367.0	367.0	35.0

DGK (S-PDSO-G8)

PLASTIC SMALL-OUTLINE PACKAGE



- NOTES:
- A. All linear dimensions are in millimeters.
  - B. This drawing is subject to change without notice.
  - C. Body length does not include mold flash, protrusions, or gate burrs. Mold flash, protrusions, or gate burrs shall not exceed 0.15 per end.
  - D. Body width does not include interlead flash. Interlead flash shall not exceed 0.50 per side.
  - E. Falls within JEDEC MO-187 variation AA, except interlead flash.



## IMPORTANT NOTICE

Texas Instruments Incorporated and its subsidiaries (TI) reserve the right to make corrections, enhancements, improvements and other changes to its semiconductor products and services per JESD46, latest issue, and to discontinue any product or service per JESD48, latest issue. Buyers should obtain the latest relevant information before placing orders and should verify that such information is current and complete. All semiconductor products (also referred to herein as "components") are sold subject to TI's terms and conditions of sale supplied at the time of order acknowledgment.

TI warrants performance of its components to the specifications applicable at the time of sale, in accordance with the warranty in TI's terms and conditions of sale of semiconductor products. Testing and other quality control techniques are used to the extent TI deems necessary to support this warranty. Except where mandated by applicable law, testing of all parameters of each component is not necessarily performed.

TI assumes no liability for applications assistance or the design of Buyers' products. Buyers are responsible for their products and applications using TI components. To minimize the risks associated with Buyers' products and applications, Buyers should provide adequate design and operating safeguards.

TI does not warrant or represent that any license, either express or implied, is granted under any patent right, copyright, mask work right, or other intellectual property right relating to any combination, machine, or process in which TI components or services are used. Information published by TI regarding third-party products or services does not constitute a license to use such products or services or a warranty or endorsement thereof. Use of such information may require a license from a third party under the patents or other intellectual property of the third party, or a license from TI under the patents or other intellectual property of TI.

Reproduction of significant portions of TI information in TI data books or data sheets is permissible only if reproduction is without alteration and is accompanied by all associated warranties, conditions, limitations, and notices. TI is not responsible or liable for such altered documentation. Information of third parties may be subject to additional restrictions.

Resale of TI components or services with statements different from or beyond the parameters stated by TI for that component or service voids all express and any implied warranties for the associated TI component or service and is an unfair and deceptive business practice. TI is not responsible or liable for any such statements.

Buyer acknowledges and agrees that it is solely responsible for compliance with all legal, regulatory and safety-related requirements concerning its products, and any use of TI components in its applications, notwithstanding any applications-related information or support that may be provided by TI. Buyer represents and agrees that it has all the necessary expertise to create and implement safeguards which anticipate dangerous consequences of failures, monitor failures and their consequences, lessen the likelihood of failures that might cause harm and take appropriate remedial actions. Buyer will fully indemnify TI and its representatives against any damages arising out of the use of any TI components in safety-critical applications.

In some cases, TI components may be promoted specifically to facilitate safety-related applications. With such components, TI's goal is to help enable customers to design and create their own end-product solutions that meet applicable functional safety standards and requirements. Nonetheless, such components are subject to these terms.

No TI components are authorized for use in FDA Class III (or similar life-critical medical equipment) unless authorized officers of the parties have executed a special agreement specifically governing such use.

Only those TI components which TI has specifically designated as military grade or "enhanced plastic" are designed and intended for use in military/aerospace applications or environments. Buyer acknowledges and agrees that any military or aerospace use of TI components which have **not** been so designated is solely at the Buyer's risk, and that Buyer is solely responsible for compliance with all legal and regulatory requirements in connection with such use.

TI has specifically designated certain components as meeting ISO/TS16949 requirements, mainly for automotive use. In any case of use of non-designated products, TI will not be responsible for any failure to meet ISO/TS16949.

### Products

Audio	<a href="http://www.ti.com/audio">www.ti.com/audio</a>
Amplifiers	<a href="http://amplifier.ti.com">amplifier.ti.com</a>
Data Converters	<a href="http://dataconverter.ti.com">dataconverter.ti.com</a>
DLP® Products	<a href="http://www.dlp.com">www.dlp.com</a>
DSP	<a href="http://dsp.ti.com">dsp.ti.com</a>
Clocks and Timers	<a href="http://www.ti.com/clocks">www.ti.com/clocks</a>
Interface	<a href="http://interface.ti.com">interface.ti.com</a>
Logic	<a href="http://logic.ti.com">logic.ti.com</a>
Power Mgmt	<a href="http://power.ti.com">power.ti.com</a>
Microcontrollers	<a href="http://microcontroller.ti.com">microcontroller.ti.com</a>
RFID	<a href="http://www.ti-rfid.com">www.ti-rfid.com</a>
OMAP Applications Processors	<a href="http://www.ti.com/omap">www.ti.com/omap</a>
Wireless Connectivity	<a href="http://www.ti.com/wirelessconnectivity">www.ti.com/wirelessconnectivity</a>

### Applications

Automotive and Transportation	<a href="http://www.ti.com/automotive">www.ti.com/automotive</a>
Communications and Telecom	<a href="http://www.ti.com/communications">www.ti.com/communications</a>
Computers and Peripherals	<a href="http://www.ti.com/computers">www.ti.com/computers</a>
Consumer Electronics	<a href="http://www.ti.com/consumer-apps">www.ti.com/consumer-apps</a>
Energy and Lighting	<a href="http://www.ti.com/energy">www.ti.com/energy</a>
Industrial	<a href="http://www.ti.com/industrial">www.ti.com/industrial</a>
Medical	<a href="http://www.ti.com/medical">www.ti.com/medical</a>
Security	<a href="http://www.ti.com/security">www.ti.com/security</a>
Space, Avionics and Defense	<a href="http://www.ti.com/space-avionics-defense">www.ti.com/space-avionics-defense</a>
Video and Imaging	<a href="http://www.ti.com/video">www.ti.com/video</a>

### TI E2E Community

[e2e.ti.com](http://e2e.ti.com)