

# Self-Shielded Audio Transformers

Using EP Geometry cores, these transformers provide excellent shielding.

Isolation is 1500 Vrms minimum

Longitudinal Balance is 60dB min.

Frequency range: 300Hz to 3400Hz

## Electrical Specifications at 25°C

Thru-hole EP7 Style Part Number	Impedance (Ohms)	UNBAL. DC (mA)	Insertion Loss (dB) <sup>(1)</sup>	Frequency Response (dB)	Return Loss (dB) <sup>(2)</sup>	Pri. DCR max. (Ω)	Sec. DCR max. (Ω)
T-30400	600 / 600	0.0	0.7	0.50	18	31	39

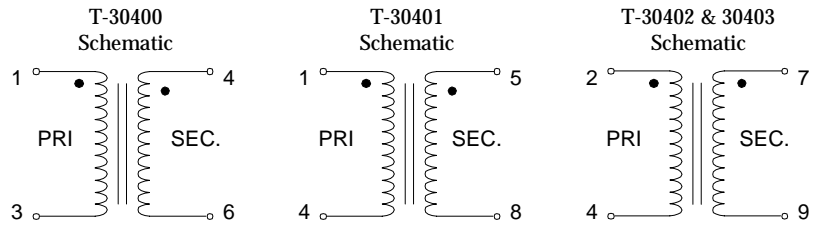
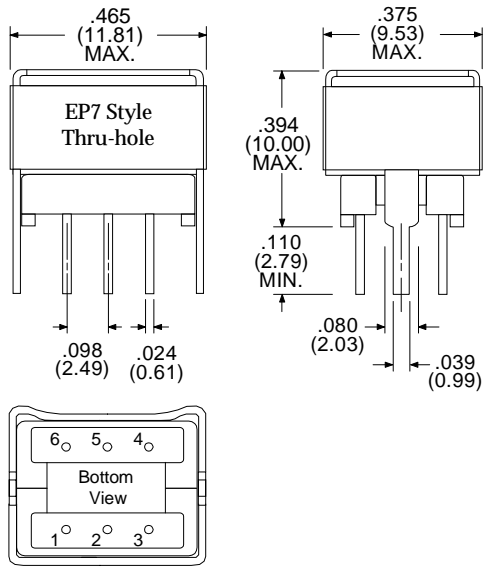
## Electrical Specifications at 25°C

Thru-hole EP10 Style Part Number	Impedance (Ohms)	UNBAL. DC (mA)	Insertion Loss (dB) <sup>(1)</sup>	Frequency Response (dB)	Return Loss (dB) <sup>(2)</sup>	Pri. DCR max. (Ω)	Sec. DCR max. (Ω)
T-30401	600 / 600	0.0	0.9	0.50	21	34	43

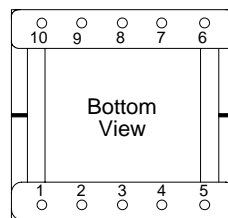
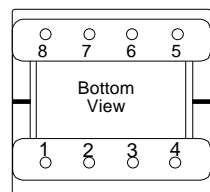
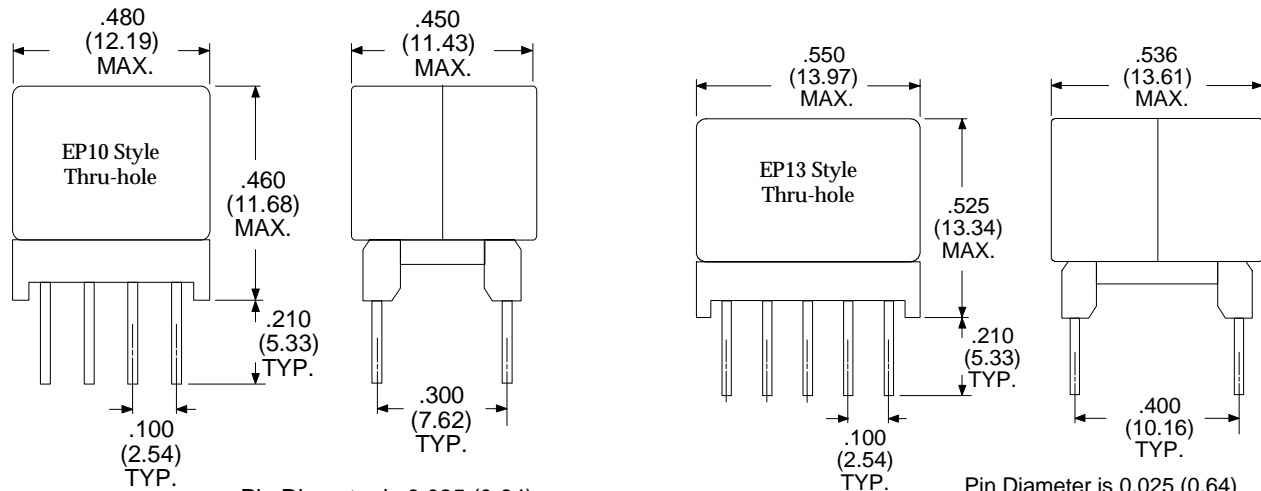
## Electrical Specifications at 25°C

Thru-hole EP13 Style Part Number	Impedance (Ohms)	UNBAL. DC (mA)	Insertion Loss (dB) <sup>(1)</sup>	Frequency Response (dB)	Return Loss (dB) <sup>(2)</sup>	Pri. DCR max. (Ω)	Sec. DCR max. (Ω)
T-30402	600 / 600	0.0	1.0	0.25	26	36	47
T-30403	900 / 900	0.0	1.0	0.25	26	44	58

1. Insertion Loss measured at 1 kHz.
2. Return Loss measured at 300 Hz.



Dimensions in Inches (mm)



# Self-Shielded Audio Transformers

Using EP Geometry cores, these transformers provide excellent shielding.

Isolation is 1500 Vrms minimum

Longitudinal Balance is 60dB min.

Frequency range: 300Hz to 3400Hz

## Electrical Specifications at 25°C

Surface Mount EP7 Style Part Number	Impedance (Ohms)	UNBAL. DC (mA)	Insertion Loss (dB) <sup>(1)</sup>	Frequency Response (dB)	Return Loss (dB) <sup>(2)</sup>	Pri. DCR max. (Ω)	Sec. DCR max. (Ω)
T-30400G	600 / 600	0.0	0.7	0.50	18	31	39

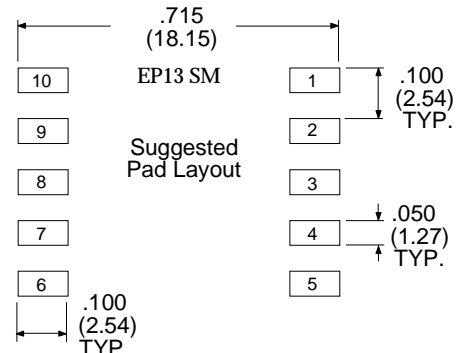
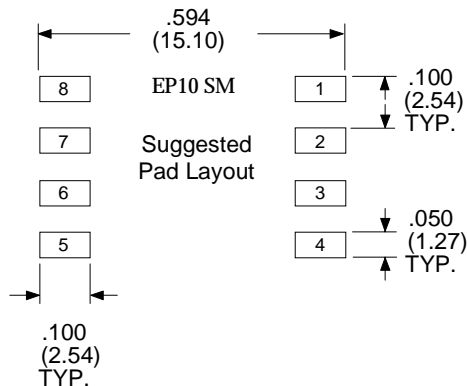
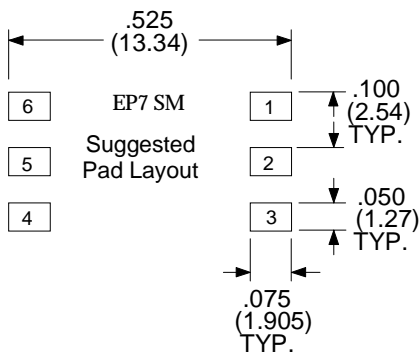
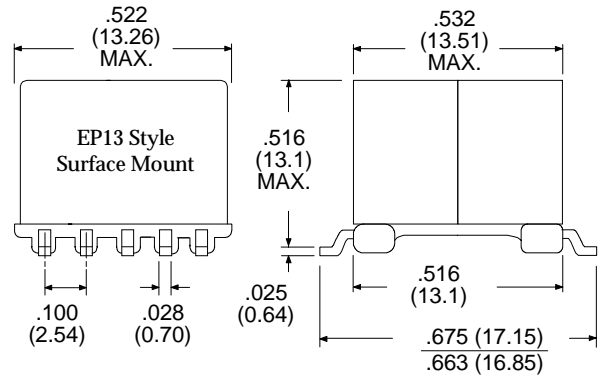
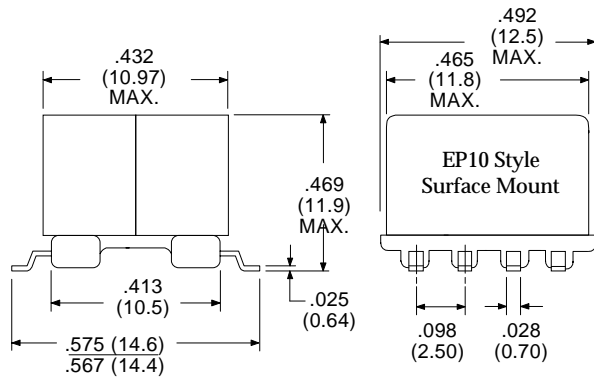
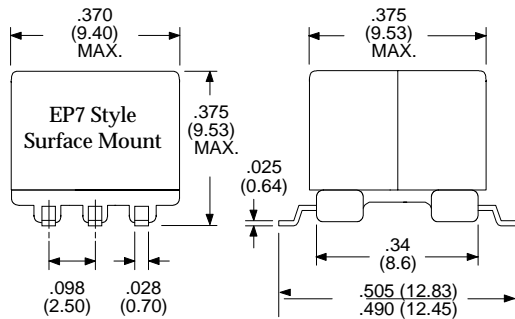
## Electrical Specifications at 25°C

Surface Mount EP10 Style Part Number	Impedance (Ohms)	UNBAL. DC (mA)	Insertion Loss (dB) <sup>(1)</sup>	Frequency Response (dB)	Return Loss (dB) <sup>(2)</sup>	Pri. DCR max. (Ω)	Sec. DCR max. (Ω)
T-30401G	600 / 600	0.0	0.9	0.50	21	34	43

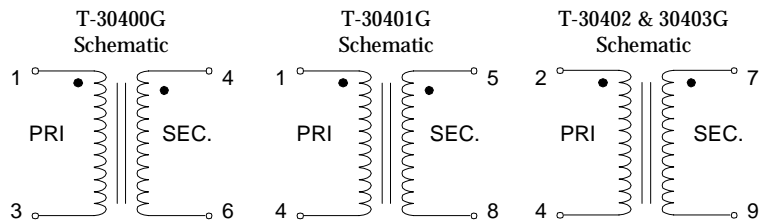
## Electrical Specifications at 25°C

Surface Mount EP13 Style Part Number	Impedance (Ohms)	UNBAL. DC (mA)	Insertion Loss (dB) <sup>(1)</sup>	Frequency Response (dB)	Return Loss (dB) <sup>(2)</sup>	Pri. DCR max. (Ω)	Sec. DCR max. (Ω)
T-30402G	600 / 600	0.0	1.0	0.25	26	36	47
T-30403G	900 / 900	0.0	1.0	0.25	26	44	58

Dimensions in Inches (mm)



1. Insertion Loss measured at 1 kHz.
2. Return Loss measured at 300 Hz.



# Self-Shielded Audio Transformers

Built with Ferrite EP Geometry cores, these transformers provide excellent shielding.

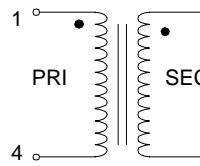
Isolation is 1500 Vrms minimum

Longitudinal Balance is 60dB minimum

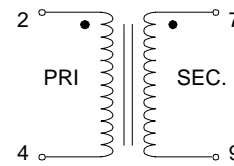
Frequency range: 300Hz to 3400Hz

Custom Designs Available

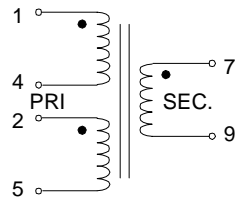
T-30404 & 30405 Schematic



T-30406 & 30408 Schematic



T-30407 & 30409 Schematic



Electrical Specifications at 25°C

Thru-hole EP17 Style Part Number	Impedance (Ohms)	UNBAL. DC (mA)	Insertion Loss (dB) <sup>(1)</sup>	Frequency Response (dB)	Return Loss (dB) <sup>(2)</sup>	Pri. DCR max. (Ω)	Sec. DCR max. (Ω)
T-30404	600 / 600	2.5	1.0	0.25	26	45	58
T-30405	900 / 900	2.5	1.0	0.25	26	55	71

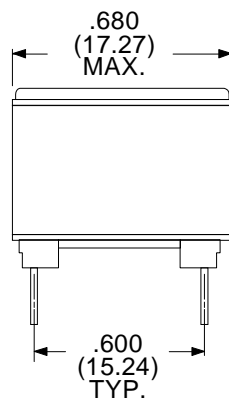
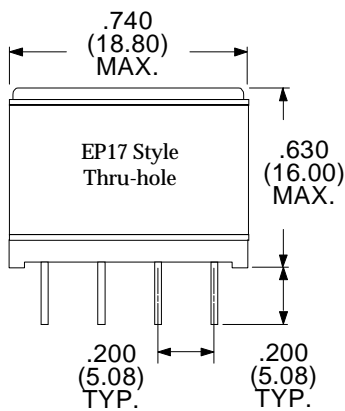
Electrical Specifications at 25°C

Thru-hole EP20 Style Part Number	Impedance (Ohms)	UNBAL. DC (mA)	Insertion Loss (dB) <sup>(1)</sup>	Frequency Response (dB)	Return Loss (dB) <sup>(2)</sup>	Pri. DCR max. (Ω)	Sec. DCR max. (Ω)
T-30406	600 / 600	5.0	0.8	0.25	26	27	36
T-30407	600CT / 600	5.0	0.8	0.25	26	27	36
T-30408	600 / 900	5.0	0.8	0.25	26	27	44
T-30409	900CT / 600	5.0	0.8	0.25	26	33	36

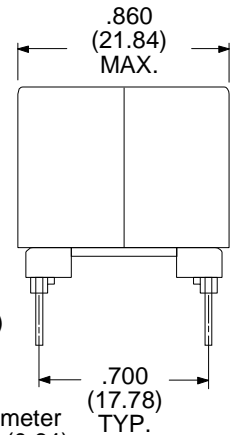
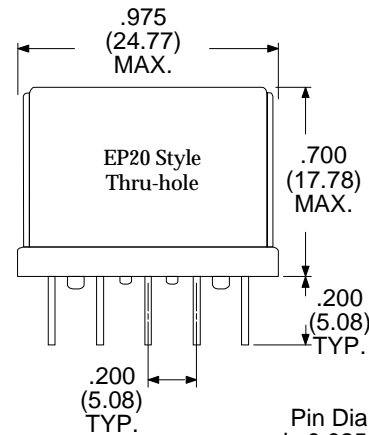
1. Insertion Loss measured at 1 kHz.

2. Return Loss measured at 300 Hz.

Dimensions in Inches (mm)



Pin Diameter is 0.025 (0.64)



Pin Diameter is 0.025 (0.64)

