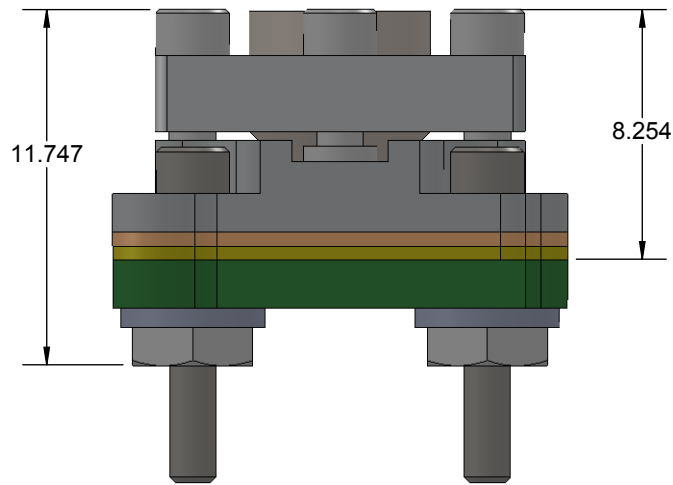
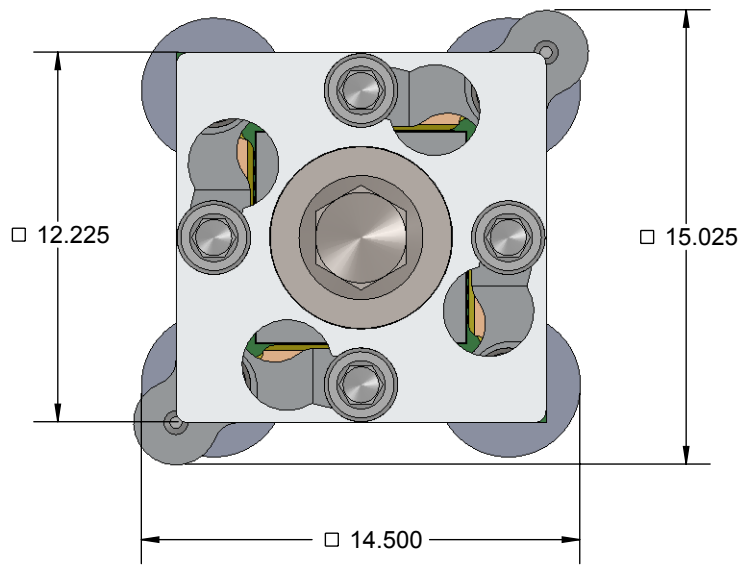


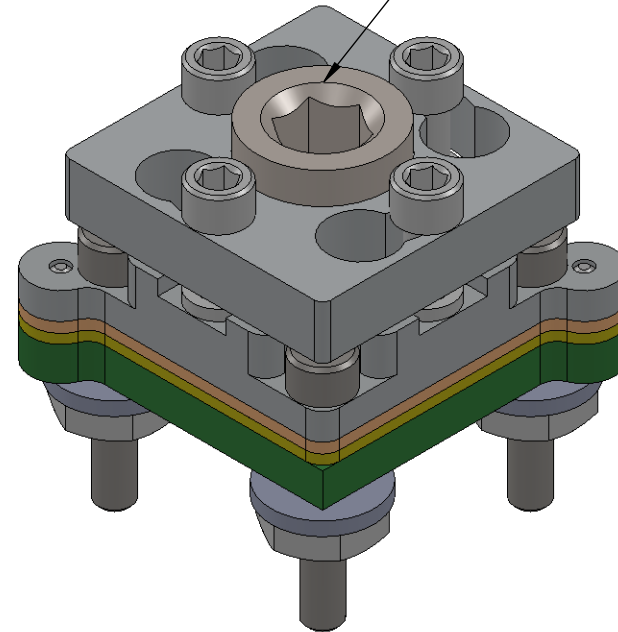
# SG-MLF Socket - solderless Socket for test applications



## Features

- Wide temperature range (-35C to +100C).
- Current capability (up to 50mA per wire).
- Easily removable swivel socket lid
- Compression plate distributes forces evenly
- High speed, reliable Elastomer connection


Recommended torque: 14 N-cm [1.25 lbf-in.]

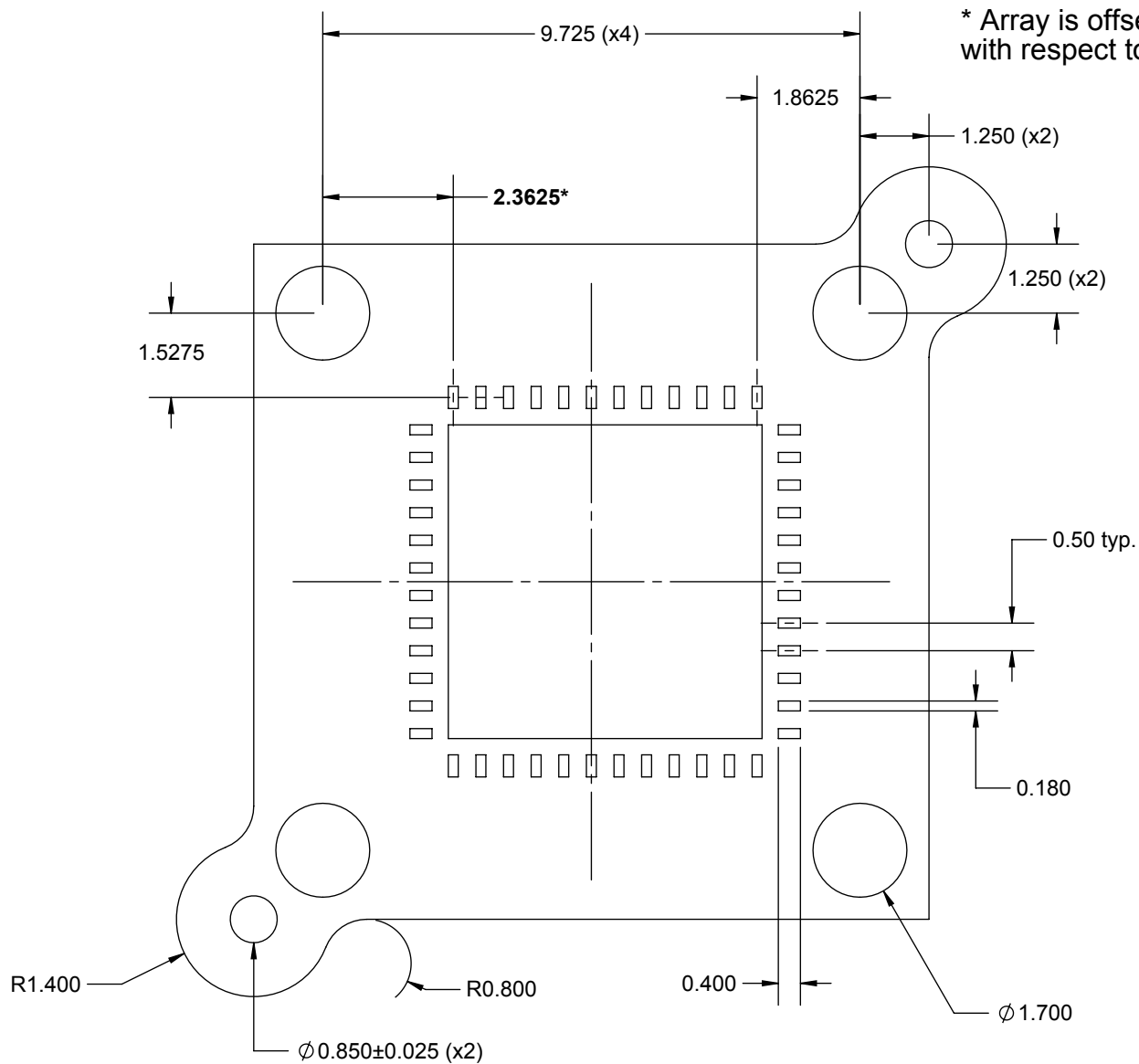


## Description: SG-MLF Socket

Primary dimension units are millimeters, Secondary dimension units are [inches], Weight is in grams.

Tolerances: Hole diameters  $\pm 0.0254\text{mm}$  [ $\pm 0.001$ "]. Pitches (from true position)  $\pm 0.0762\text{mm}$  [ $\pm 0.003$ "], substrate thickness tolerance  $\pm 10\%$ , all other tolerances  $\pm 0.127\text{mm}$  [ $\pm 0.005$ "] unless stated otherwise. Materials and specifications are subject to change without notice.

 ©2015 Ironwood Electronics, Inc. Tele: (800) 404-0204 www.ironwoodelectronics.com	<b>SG-MLF-7086 Drawing</b>	STATUS: Released	SHEET: 1 OF 4	REV. A
	Material: N/A Finish: N/A Weight: 4.32	ENG: M.A. Fedde	DRAWN BY: M. Raske	DATE: 07/22/2015




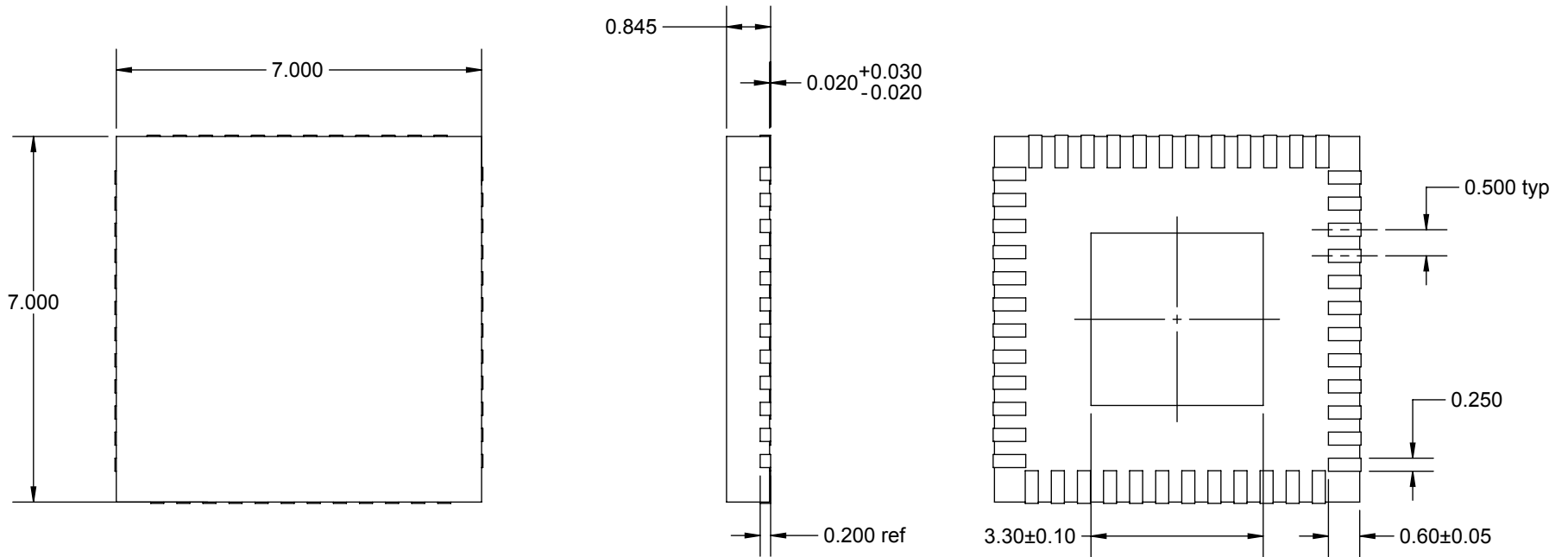
\* Array is offset 0.25mm to the right of center with respect to the mounting holes.

## Description: Recommended PCB Layout

Primary dimension units are millimeters, Secondary dimension units are [inches], Weight is in grams.

Tolerances: Hole diameters  $\pm 0.03\text{mm}$  [ $\pm 0.001"$ ], Pitches (from true position)  $\pm 0.025\text{mm}$  [ $\pm 0.001"$ ], substrate thickness tolerance  $\pm 10\%$ , all other tolerances  $\pm 0.13\text{mm}$  [ $\pm 0.005"$ ] unless stated otherwise. Materials and specifications are subject to change without notice.

 <b>SG-MLF-7086 Drawing</b> ©2015 Ironwood Electronics, Inc. Tele: (800) 404-0204 www.ironwoodelectronics.com	Material: N/A Finish: N/A Weight: 4.32	STATUS: Released	SHEET: 2 OF 4	REV. A
		ENG: M.A. Fedde	DRAWN BY: M. Raske	SCALE: 8:1
		FILE: SG-MLF-7086 Dwg	DATE: 07/22/2015	



Package Code: MLF48A


Dimensions are in millimeters.

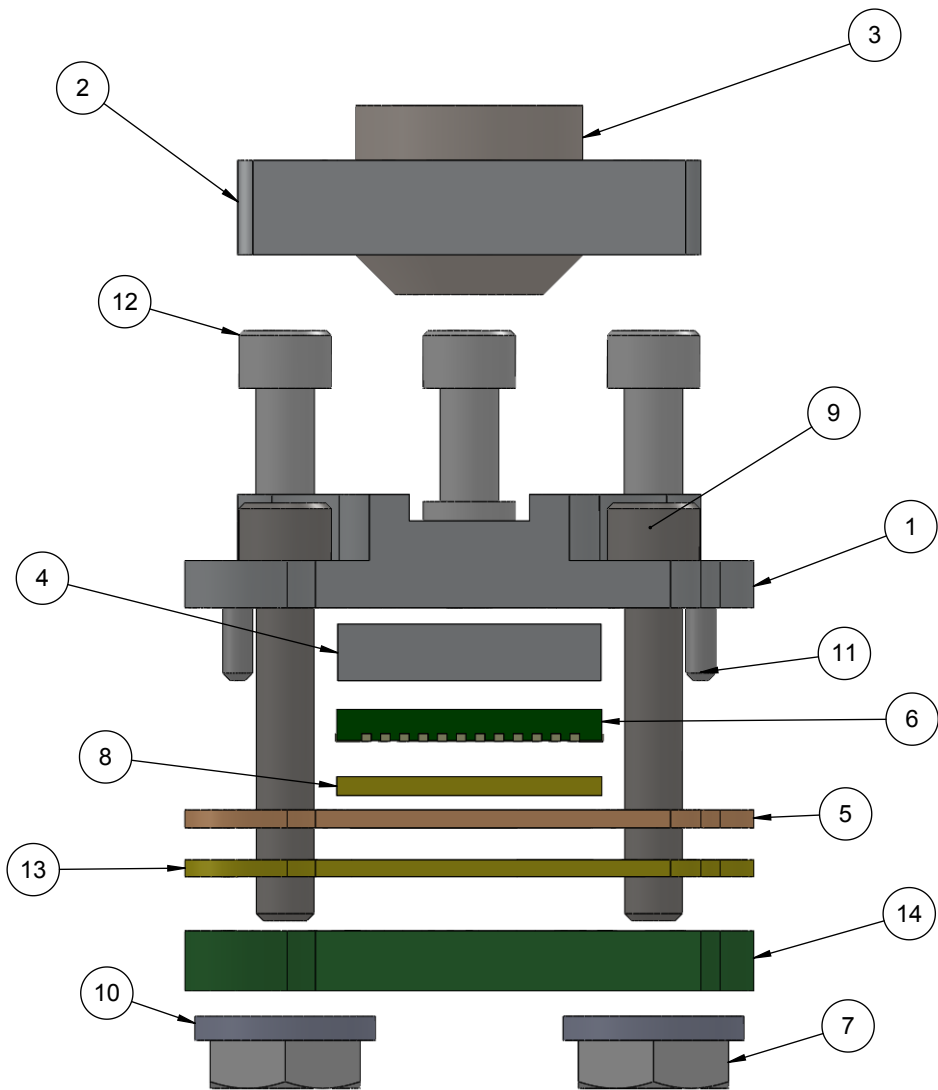
1. Interpret dimensions and tolerances per ASME Y14.5M-1994.
2. Dimension b is measured at the maximum solder ball diameter, parallel to datum plane Z.
3. Datum Z (seating plane) is defined by the spherical crowns of the solder balls.
4. Parallelism measurement shall exclude any effect of mark on top surface of package.

### Description: Compatible Device

Primary dimension units are millimeters, Secondary dimension units are [inches], Weight is in grams.

**Tolerances:** Hole diameters  $\pm 0.03\text{mm}$  [ $\pm 0.001''$ ], Pitches (from true position)  $\pm 0.025\text{mm}$  [ $\pm 0.001''$ ], substrate thickness tolerance  $\pm 10\%$ , all other tolerances  $\pm 0.13\text{mm}$  [ $\pm 0.005''$ ] unless stated otherwise. Materials and specifications are subject to change without notice.

 <b>SG-MLF-7086 Drawing</b> ©2015 Ironwood Electronics, Inc. Tele: (800) 404-0204 www.ironwoodelectronics.com	Material: N/A Finish: N/A Weight: 4.32	STATUS: Released	SHEET: 3 OF 4	REV. A
		ENG: M.A. Fedde	DRAWN BY: M. Raske	SCALE: 8:1
		FILE: SG-MLF-7086 Dwg	DATE: 07/22/2015	




ITEM NO.	DESCRIPTION	Material
1	Socket Base 7mm	7075-T6 (SN)
2	Socket Lid 7mm	7075-T6 Aluminum Alloy
3	Compression Screw M6x1	Stainless Steel (18-8)
4	Compression Plate 7mm IC, 1.5mm thick	7075-T6 (SN)
5	Elastomer Guide 7x7mm	Ultem
6	Test Chip; 7x7mm 0.5mm pitch QFN48A	FR4 Standard
7	Nut, #0-80, SS	Stainless Steel (18-8)
8	0.5mm thick, 0.05x 0.05mm pitch, 50mm sq, Z-axis conductive angled elastomer	20 Micron dia gold plated brass filaments arranged symmetrically in a silicon rubber (63.5 degree angle), Thickness: 0.5mm
9	#0-80 X .375 LG, SOC HD CAP SCREW, ALLOY STL, BLK OXIDE	Alloy Steel
10	Washer, #0 x .025", Nylon	Nylon 6/6
11	Alignment Pin 1/32" dia. x 1/8" lng	Chrome Stainless Steel
12	#0-80 Shoulder Screw, 1.59mm thread length	Stainless Steel (303)
13	IC (MLF) Guide	Torlon 4203
14	Test PCB	Material <not specified>

## Description: Socket, Revision History

Primary dimension units are millimeters, Secondary dimension units are [inches], Weight is in grams.

**Tolerances:** Hole diameters  $\pm 0.03\text{mm}$  [ $\pm 0.001"$ ], Pitches (from true position)  $\pm 0.025\text{mm}$  [ $\pm 0.001"$ ], substrate thickness tolerance  $\pm 10\%$ , all other tolerances  $\pm 0.13\text{mm}$  [ $\pm 0.005"$ ] unless stated otherwise. Materials and specifications are subject to change without notice.

 <b>SG-MLF-7086 Drawing</b> ©2015 Ironwood Electronics, Inc. Tele: (800) 404-0204 www.ironwoodelectronics.com	Material: N/A Finish: N/A Weight: 4.32	STATUS: Released ENG: M.A. Fedde FILE: SG-MLF-7086 Dwg	SHEET: 4 OF 4 DRAWN BY: M. Raske DATE: 07/22/2015	REV. A SCALE: 5:1
----------------------------------------------------------------------------------------------------------------------------------------------------------------------------------------------------------	----------------------------------------------	--------------------------------------------------------------	---------------------------------------------------------	----------------------