

PLEASE CHECK WWW.MOLEX.COM FOR LATEST PART INFORMATION

Part Number: [0026202091](#)
Status: **Active**
Overview: [kk](#)
Description: 3.96mm (.156") Pitch KK® Wire-to-Board Header, Vertical Round Pin, 9 Circuits, Tin (Sn) Plating, with Mating Pin Length of 11.43mm (.450")

Documents:

[3D Model](#) [Product Specification PS-99020-0087 \(PDF\)](#)
[Drawing \(PDF\)](#) [RoHS Certificate of Compliance \(PDF\)](#)

Agency Certification

UL E29179

General

Product Family PCB Headers
 Series [3192](#)
 Application Board-to-Board, Wire-to-Board
 Overview [kk](#)
 Product Name KK®

Physical

Breakaway No
 Circuits (Loaded) 9
 Circuits (maximum) 9
 Color - Resin Natural
 Durability (mating cycles max) 25
 First Mate / Last Break No
 Flammability 94V-2
 Glow-Wire Compliant No
 Guide to Mating Part No
 Keying to Mating Part None
 Lock to Mating Part None
 Material - Metal Brass
 Material - Plating Mating Tin
 Material - Plating Termination Tin
 Material - Resin Nylon
 Number of Rows 1
 Orientation Vertical
 PC Tail Length (in) 0.175 In
 PC Tail Length (mm) 4.45 mm
 PCB Locator No
 PCB Retention None
 PCB Thickness Recommended (in) 0.062 In
 PCB Thickness Recommended (mm) 1.60 mm
 Packaging Type Bag
 Pitch - Mating Interface (in) 0.156 In
 Pitch - Mating Interface (mm) 3.96 mm
 Plating min: Mating (µin) 200
 Plating min: Mating (µm) 5
 Plating min: Termination (µin) 200
 Plating min: Termination (µm) 5
 Polarized to Mating Part No
 Polarized to PCB No
 Shrouded No
 Stackable Yes
 Temperature Range - Operating 0°C to +75°C



EU RoHS

ELV and RoHS Compliant
REACH SVHC
 Not Reviewed
Halogen-Free Status
Not Reviewed

China RoHS



Need more information on product environmental compliance?

Email productcompliance@molex.com
 For a multiple part number RoHS Certificate of Compliance, [click here](#)

Please visit the [Contact Us](#) section for any non-product compliance questions.

Search Parts in this Series

[3192Series](#)

Mates With

[3069](#) KK® Crimp Terminal Housing. [3215](#) KK® PC Board Connector

Termination Interface: Style

Through Hole

Electrical

Current - Maximum per Contact

7A

Voltage - Maximum

250V

Solder Process Data

Lead-free Process Capability

Wave Capable (TH only)

Material Info

Old Part Number

319209A

Reference - Drawing Numbers

Product Specification

PS-99020-0087

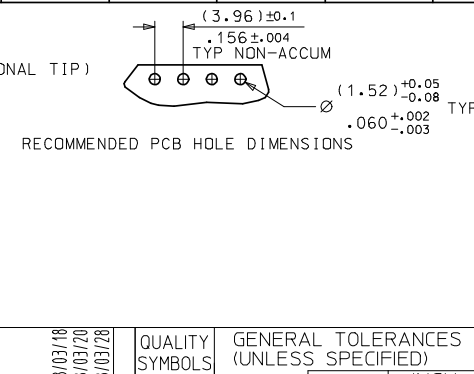
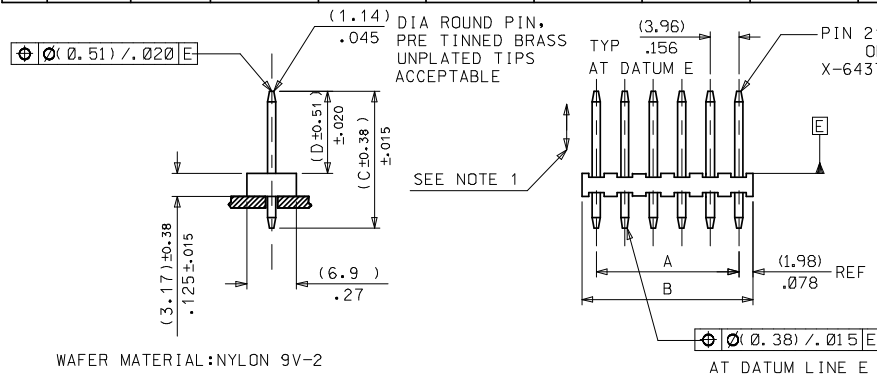
Sales Drawing

SDAE-3192-N*

This document was generated on 05/26/2010

PLEASE CHECK WWW.MOLEX.COM FOR LATEST PART INFORMATION

| ENG No: | AE-3192-NA | AE-3192-NB | AE-3192-NC | AE-3192-ND | AE-3192-NE | AE-3192-NF | AE-3192-NH | AE-3192-NI | AE-3192-NJ | AE-3192-NK | AE-3192-NM | AE-3192-NP | AEX-3192-NR | AE-3192-NS | AE-3192-NW | AEX-3192-NY | AE-3192-NZ |
|----------|-----------------|-----------------|------------------|------------------|-----------------|------------------|-----------------|-----------------|------------------|------------------|------------------|------------------|------------------|------------------|-----------------|------------------|------------------|
| DIM "D" | (11.43) .450 | (16.18) .637 | (22.53) .887 | (27.30) 1.075 | (14.27) .562 | (32.51) 1.280 | (12.33) .485 | (14.27) .562 | (20.95) .825 | (17.47) .688 | (12.70) .500 | (19.05) .750 | (11.43) .450 | (20.32) .800 | (3.00) .118 | (11.43) .450 | (27.31) 1.075 |
| DIM "C" | (19.05) .750 | (23.80) .937 | (30.15) 1.187 | (34.92) 1.375 | (23.80) .937 | (39.67) 1.562 | (19.05) .750 | (20.32) .800 | (28.57) 1.125 | (25.40) 1.000 | (28.87) 1.125 | (39.67) 1.562 | (31.75) 1.250 | (28.58) 1.125 | (19.05) .750 | (25.40) 1.000 | (34.93) 1.375 |
| CCT SIZE | | | | | | | | | | | | | | | | | |
| DIM "A" | (3.96) .156 | (7.92) .312 | | | | | | | | | | | | | | | |
| DIM "B" | | | | | | | | | | | | | | | | | |
| PART No | 26-20-2021 | 26-20-2022 | 26-20-2023 | 26-20-2024 | 26-20-2025 | 26-20-2026 | 26-20-2027 | 26-20-2028 | 26-20-2029 | 26-21-2021 | 26-21-2022 | 26-21-2023 | NOT TOOLED | 26-21-2024 | 38-00-5822 | NOT TOOLED | 38-00-4072 |
| PART No | 26-20-2031 | 26-20-2032 | 26-20-2033 | 26-20-2034 | 26-20-2035 | 26-20-2036 | 26-20-2037 | 26-20-2038 | 26-20-2039 | 26-21-2031 | 26-21-2032 | 26-21-2033 | | 26-21-2034 | 38-00-5823 | | 38-00-4073 |
| PART No | 26-20-2041 | 26-20-2042 | 26-20-2043 | 26-20-2044 | 26-20-2045 | 26-20-2046 | 26-20-2047 | 26-20-2048 | 26-20-2049 | 26-21-2041 | 26-21-2042 | 26-21-2043 | | 26-21-2044 | 38-00-5824 | | 38-00-4074 |
| PART No | 26-20-2051 | 26-20-2052 | 26-20-2053 | 26-20-2054 | 26-20-2055 | 26-20-2056 | 26-20-2057 | 26-20-2058 | 26-20-2059 | 26-21-2051 | 26-21-2052 | 26-21-2053 | | 26-21-2054 | 38-00-5825 | | 38-00-4075 |
| PART No | 26-20-2061 | 26-20-2062 | 26-20-2063 | 26-20-2064 | 26-20-2065 | 26-20-2066 | 26-20-2067 | 26-20-2068 | 26-20-2069 | 26-21-2061 | 26-21-2062 | 26-21-2063 | | 26-21-2064 | 38-00-5826 | | 38-00-4076 |
| PART No | 26-20-2071 | 26-20-2072 | 26-20-2073 | 26-20-2074 | 26-20-2075 | 26-20-2076 | 26-20-2077 | 26-20-2078 | 26-20-2079 | 26-21-2071 | 26-21-2072 | 26-21-2073 | | 26-21-2074 | 38-00-5827 | | 38-00-4077 |
| PART No | 26-20-2081 | 26-20-2082 | 26-20-2083 | 26-20-2084 | 26-20-2085 | 26-20-2086 | 26-20-2087 | 26-20-2088 | 26-20-2089 | 26-21-2081 | 26-21-2082 | 26-21-2083 | | 26-21-2084 | 38-00-5828 | | 38-00-4078 |
| PART No | 26-20-2091 | 26-20-2092 | 26-20-2093 | 26-20-2094 | 26-20-2095 | 26-20-2096 | 26-20-2097 | 26-20-2098 | 26-20-2099 | 26-21-2091 | 26-21-2092 | 26-21-2093 | | 26-21-2094 | 38-00-5829 | | 38-00-4079 |
| PART No | 26-20-2101 | 26-20-2102 | 26-20-2103 | 26-20-2104 | 26-20-2105 | 26-20-2106 | 26-20-2107 | 26-20-2108 | 26-20-2109 | 26-21-2101 | 26-21-2102 | 26-21-2103 | | 26-21-2104 | 38-00-5830 | | 38-00-4080 |
| PART No | 26-20-2111 | 26-20-2112 | 26-20-2113 | 26-20-2114 | 26-20-2115 | 26-20-2116 | 26-20-2117 | 26-20-2118 | 26-20-2119 | 26-21-2111 | 26-21-2112 | 26-21-2113 | | 26-21-2114 | 38-00-5831 | | 38-00-4081 |
| PART No | 26-20-2121 | 26-20-2122 | 26-20-2123 | 26-20-2124 | 26-20-2125 | 26-20-2126 | 26-20-2127 | 26-20-2128 | 26-20-2129 | 26-21-2121 | 26-21-2122 | 26-21-2123 | | 26-21-2124 | 38-00-5832 | | 38-00-4082 |
| PART No | 26-20-2131 | 26-20-2132 | 26-20-2133 | 26-20-2134 | 26-20-2135 | 26-20-2136 | 26-20-2137 | 26-20-2138 | 26-20-2139 | 26-21-2131 | 26-21-2132 | 26-21-2133 | | 26-21-2134 | 38-00-5833 | | 38-00-4083 |
| PART No | 26-20-2141 | 26-20-2142 | 26-20-2143 | 26-20-2144 | 26-20-2145 | 26-20-2146 | 26-20-2147 | 26-20-2148 | 26-20-2149 | 26-21-2141 | 26-21-2142 | 26-21-2143 | | 26-21-2144 | 38-00-5834 | | 38-00-4084 |
| PART No | 26-20-2151 | 26-20-2152 | 26-20-2153 | 26-20-2154 | 26-20-2155 | 26-20-2156 | 26-20-2157 | 26-20-2158 | 26-20-2159 | 26-21-2151 | 26-21-2152 | 26-21-2153 | | 26-21-2154 | 38-00-5835 | | 38-00-4085 |
| PART No | 26-20-2161 | 26-20-2162 | 26-20-2163 | 26-20-2164 | 26-20-2165 | 26-20-2166 | 26-20-2167 | 26-20-2168 | 26-20-2169 | 26-21-2161 | 26-21-2162 | 26-21-2163 | | 26-21-2164 | 38-00-5836 | | 38-00-4086 |
| PART No | 26-20-2171 | 26-20-2172 | 26-20-2173 | 26-20-2174 | 26-20-2175 | 26-20-2176 | 26-20-2177 | 26-20-2178 | 26-20-2179 | 26-21-2171 | 26-21-2172 | 26-21-2173 | | 26-21-2174 | 38-00-5837 | | 38-00-4087 |
| PART No | 26-20-2181 | 26-20-2182 | 26-20-2183 | 26-20-2184 | 26-20-2185 | 26-20-2186 | 26-20-2187 | 26-20-2188 | 26-20-2189 | 26-21-2181 | 26-21-2182 | 26-21-2183 | | 26-21-2184 | 38-00-5838 | | 38-00-4088 |
| PART No | 26-20-2191 | 26-20-2192 | 26-20-2193 | 26-20-2194 | 26-20-2195 | 26-20-2196 | 26-20-2197 | 26-20-2198 | 26-20-2199 | 26-21-2191 | 26-21-2192 | 26-21-2193 | | 26-21-2194 | 38-00-5839 | | 38-00-4089 |
| PART No | 26-20-2201 | 26-20-2202 | 26-20-2203 | 26-20-2204 | 26-20-2205 | 26-20-2206 | 26-20-2207 | 26-20-2208 | 26-20-2209 | 26-21-2201 | 26-21-2202 | 26-21-2203 | NOT TOOLED | 26-21-2204 | 38-00-5840 | NOT TOOLED | 38-00-4090 |



- NOTES:
- PIN PUSH OUT FORCE 3 LBS MIN
 - PIN MUST CONFORM TO MOLEX SOLDERABILITY SPEC No 152 AFTER PLATING
 - RECOMMENDED PCB THICKNESS 1.6MM

| | | | | | |
|-------------------------------------------------------------------------------------------------------------------------------------|-------------------------------|------------------------------------------------------------------------------------------------------------------------------------------------------------------|-----------------------------------------------------------------------------------------------------------------------------------------------------------|-------------------------------------------------------------------------|---------------------------------------------------------------------------|
| ADDED NOTE 3 EC NO: E2008-0424 DRAWN: K I ERMAN 2008/03/18 CHKD: B MAGUIRE 2008/03/20 APPR: B MAGUIRE 2008/03/20 | QUALITY SYMBOLS ▽=0 ▽=0 | GENERAL TOLERANCES (UNLESS SPECIFIED) mm INCH 4 PLACES ± --- ± --- 3 PLACES ± --- ±.010 2 PLACES ±0.25 ±.014 1 PLACE ±0.35 ± --- ANGULAR ±1/2° | DIMENSION STYLE MM ONLY DRAWN BY DATE T. MAHON 98/10/02 CHECKED BY DATE M. GOONEY 98/10/09 APPROVED BY DATE MWILHITE 98/10/09 | SCALE --- DESIGN UNITS METRIC THIRD ANGLE PROJECTION | TITLE WAFER FLAT MOLDED KK .156 .045 DIAMETER PINS |
| | | DRAFT WHERE APPLICABLE MUST REMAIN WITHIN DIMENSIONS | MATERIAL NO. SEE CHART SIZE A2 | DOCUMENT NO. SDAE-3192-N* SHEET NO. 1 OF 00 | |

THIS DRAWING CONTAINS INFORMATION THAT IS PROPRIETARY TO MOLEX INCORPORATED AND SHOULD NOT BE USED WITHOUT WRITTEN PERMISSION