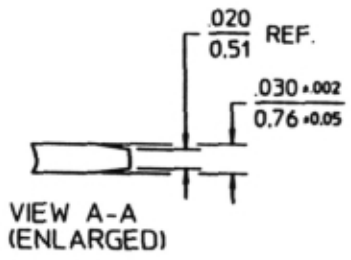
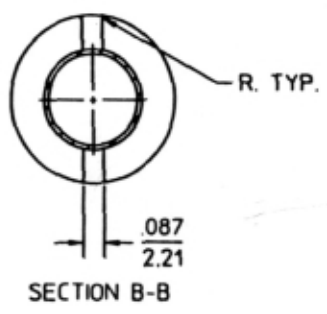
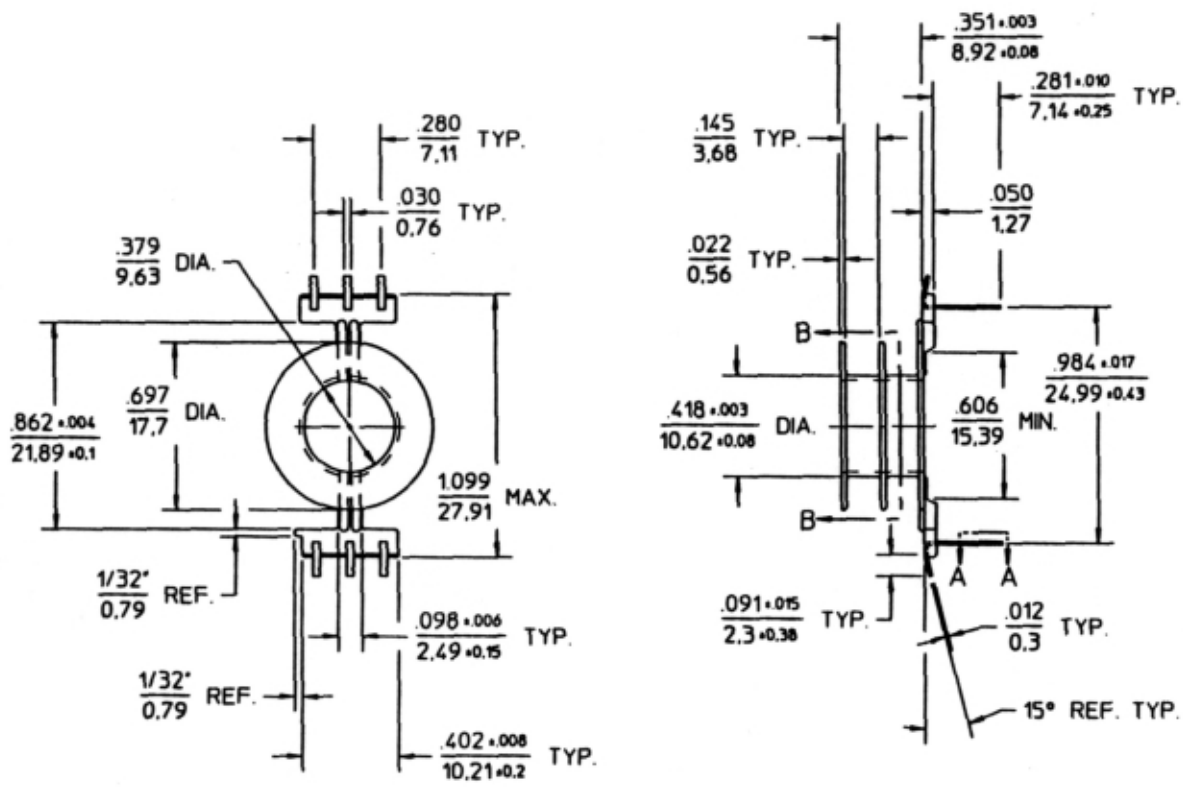


FERROXCUBE



Coilformer material: Zytel FR50 (PA), glass-reinforced
 UL file number: E41938 - UL94V-0
 Max operating temp: 130C
 Pin material: 70/30 Brass, Sn plated
 Solderability: acc. to MIL-STD 202, method 208
 Mean length of turn: 1.751 inch
 Winding area: 0.02 sq inch

									01-06-01

CPV-P22/13-2S-6PDL-Z 4335 060 26551