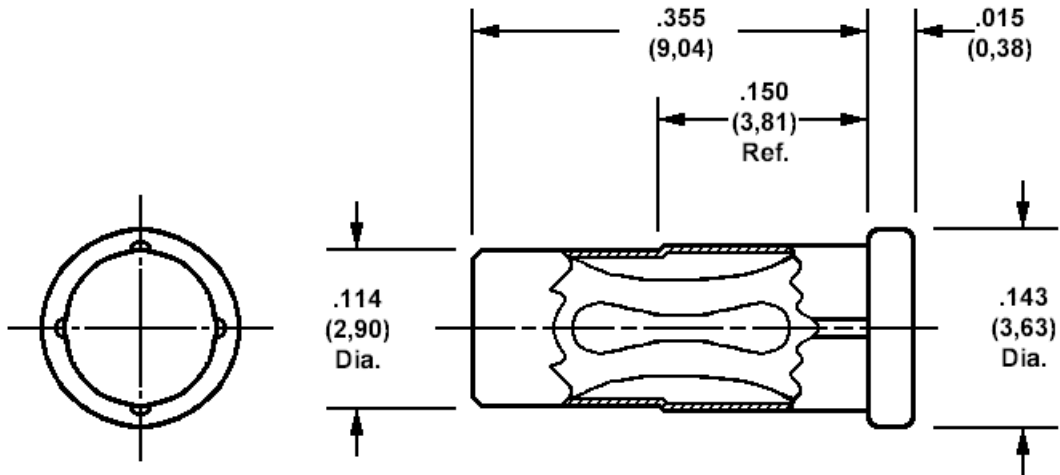


## 450-1806 Press mount socket, for .080 (2,03) diameter pins

Recommended mounting hole .116 (2,95) +.002 (0,05) -0.001 (0,03), #32 drill



Min hole depth .360 (9,14)

How to order code  
**450-1806-01-XX-00**  
 Basic Part No XX = Finish

MATERIALS				
Component	Material	Finish(-03)	Finish(-04)	Finish(-06)
Body	Copper	Gold over Nickel	Tin	Tin
Spring	Beryllium copper	Gold over Nickel	Tin	Gold over Nickel