

THE INFORMATION CONTAINED HEREIN IS CONSIDERED
 "PROPRIETARY" TO BEL FUSE INC. AND SHALL NOT BE
 COPIED, REPRODUCED OR DISCLOSED WITHOUT THE
 WRITTEN APPROVAL OF BEL FUSE INC.

ELECTRICAL CHARACTERISTICS (@25°C)

NOMINAL TURNS RATIO:
 (1-4) : (8-5) 1.2 : 1

DC RESISTANCE:
 (1-3) 0.60 Ω MAX
 (2-4) 0.60 Ω MAX
 (7-5) 0.60 Ω MAX
 (8-6) 0.60 Ω MAX

INDUCTANCE @ 10 kHz, 0.1 Vrms:
 (1-4) 850 μH ± 8%
 CONNECT 2 TO 3

LEAKAGE INDUCTANCE:
 (1-4) CONNECT 2 TO 4 5 μH MAX

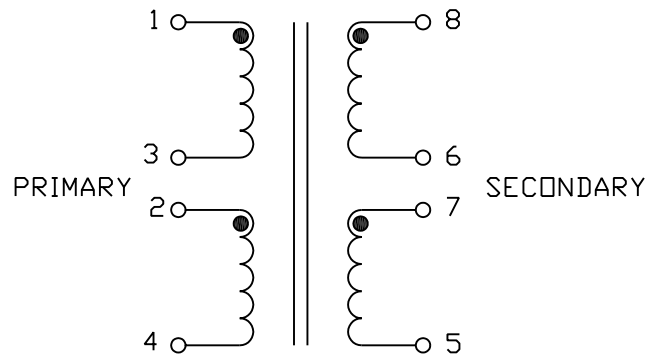
DIELECTRIC RATING:
 BETWEEN (1-4) & (8-5) 1875 VAC, 500μA MAX
 CONNECT 2 TO 3 AND 6 TO 7

HARMONIC DISTORTION:
 10kHz, 2.0Vrms[5.66Vp-p], Line:IC -65 dB MAX



DESIGNED TO COMPLY WITH UL-1950, EN60950 WITH BASIC
 INSULATION AND 250V WORKING VOLTAGE.

OPERATING TEMPERATURE RANGE: -40°C TO +85°C

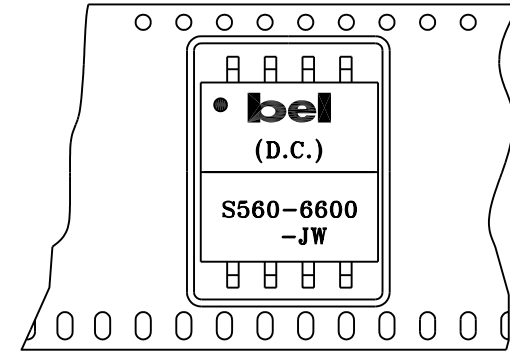
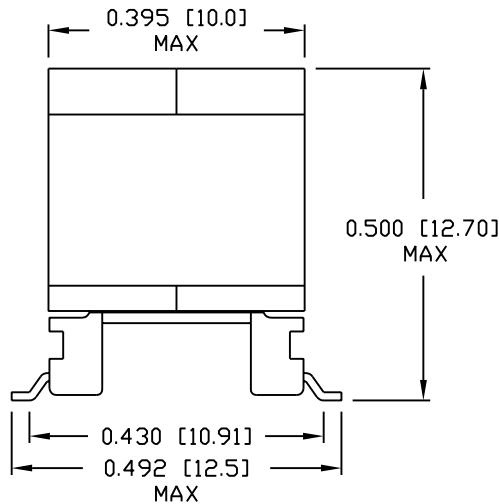
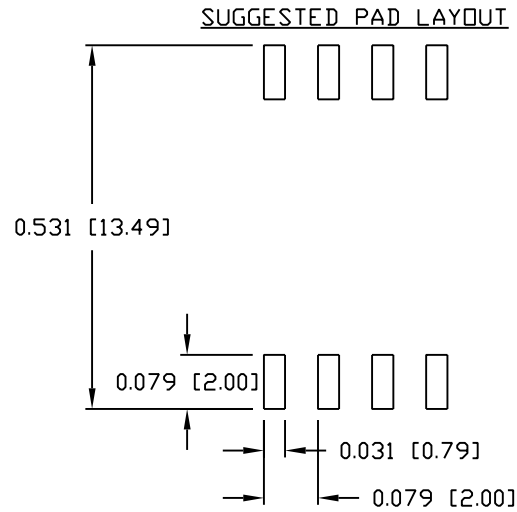
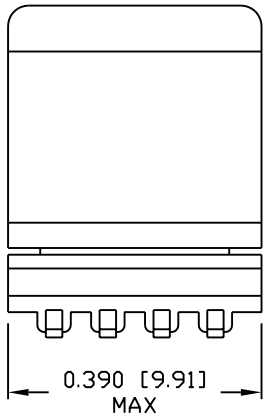
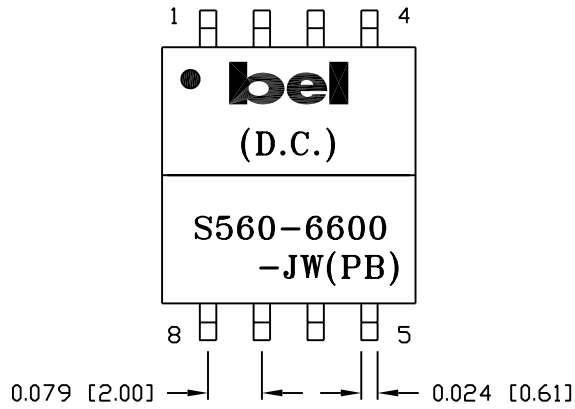
SCHEMATIC



PRELIMINARY

DRWN HD NGUYEN	DATE 5-20-2003	TITLE ELECTRICAL SPECIFICATION	PART NO. / DRAWING NO. S560-6600-JW		STANDARD DIMENSION TOLERANCE IN INCH		[] METRIC DIM. AS REFERENCE		 bel BEL FUSE
	CHKD HD NGUYEN		DATE 5-20-2003	FILE NAME S5606600JWPB.DWG		.X		UNIT : INCH [mm]	
				.XX		SCALE : N/A	SIZE : A4		
				.XXX				PAGE : 2	

THE INFORMATION CONTAINED HEREIN IS CONSIDERED "PROPRIETARY" TO BEL FUSE INC. AND SHALL NOT BE COPIED, REPRODUCED OR DISCLOSED WITHOUT THE WRITTEN APPROVAL OF BEL FUSE INC.



ORIENTATION OF COMPONENT INSIDE POCKET

TAPE WIDTH	24MM
POCKET PITCH	20MM
QUANTITY OF COMPONENTS PER REEL	200
PLASTIC REEL OUTER DIAMETER	13 INCHES
PLASTIC REEL HUB DIAMETER	4 INCHES

PRELIMINARY

DRWN	DATE
HD NGUYEN	5-20-2003
CHKD	DATE
HD NGUYEN	5-20-2003

TITLE
MECHANICAL SPECIFICATION

PART NO. / DRAWING NO.
S560-6600-JW
FILE NAME
S5606600JWPB.DWG

STANDARD DIMENSION TOLERANCE IN INCH		[] METRIC DIM. AS REFERENCE	
.X	±0.1	UNIT : INCH [mm]	REV. : PB
.XX	±0.03	SCALE : N/A	SIZE : A4
.XXX	±0.005		PAGE : 3

bel
BEL FUSE