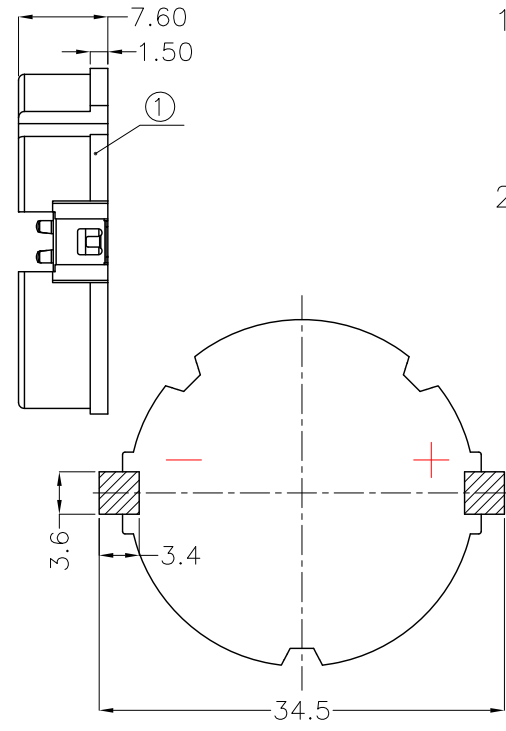
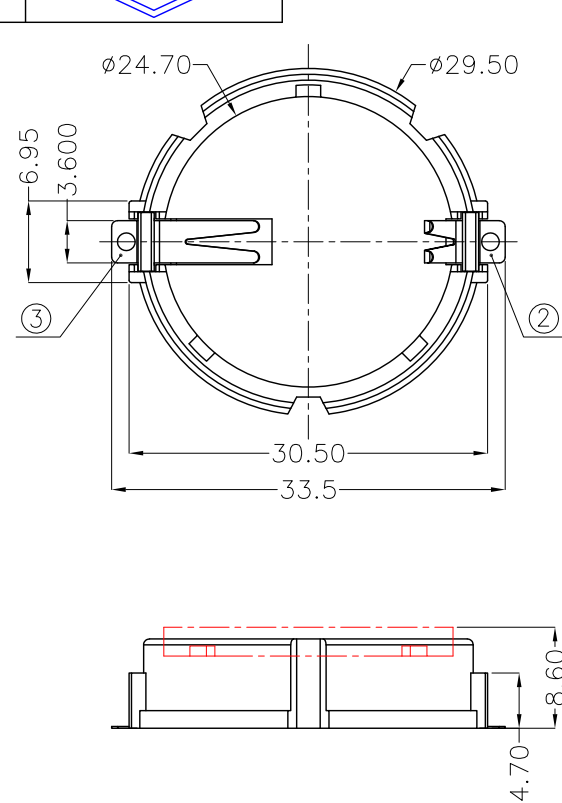




REV.	ECN NO.	REVISED	DATE



PCB Layout Diagram  
Top View

NOTE:

- 1.MATERIAL:  
a.HOUSING:LCP UL94V-0  
b.CONTACT:PHOSPHOR BRONZE  
(SURFACE PLATING: Sn100u"-120u")  
SEE ORDERING INFORMATION
- 2.ELECTRIC:  
a.CONTACT RESISTANCE: 30 MILLIOHMS MAX  
b.INSULATION RESISTANCE: 1000 MEGA OHMS MIN  
c.DIELECTNIC VOLTAGE: 500V AC ONE SEC LEVEL  
d.OPERATING TEMPERATURE: -25°C~ +85°C

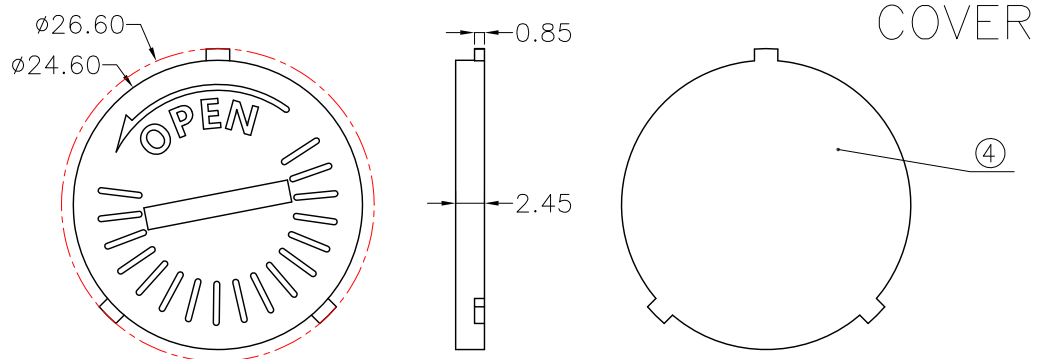
ORDERING INFORMATION

BS-24-B\*\*\*014

电池座系列  
BS-24系列  
SMT 180° TYPE

PLATING:  
A-Au1U"  
J-Ni100U"~120U"  
K-Sn100U"~120U"

MATERIAL:  
1A-PBT BLACK  
1B-PA66 BLACK  
2A-PPA BROWN  
2B-PPA BLACK  
3A-PPS BROWN  
3B-PPS BLACK  
4A-LCP WHITE  
4B-LCP BLACK



工程部  
2017-07-17  
ZW DANG

UNLESS OTHERWISE SPECIFIED TOLERANCES  
**MYOUNG 美阳** www.meiyangdz.com

④	COVER	1	LCP	WHITE	DSND	YangFeng	DATE	2017-07-17	TITLE:
③	TERMINAL(-)	1	PHOSPHOR BRONZE, T=0.20mm	Sn Plating and Ni Under-Plating	CHKD	ZhouRuicai	DATE	2017-07-17	BS-2450-4 SMT 带盖子
②	TERMINAL(+)	1	PHOSPHOR BRONZE, T=0.20mm	Sn Plating and Ni Under-Plating	APVD	XueShunYong	DATE	2017-07-17	PART NO.:
①	HOUSING	1	LCP	WHITE	WEIGHT:	4.72g	SCALE:1.5:1	SIZE: A4	VIEW:
NO.	PART NAME	Q'TY	MATERIAL	PLATING & COLOR	SHEET 1 OF 1	UNIT: mm	REV.: A/0	OBJECT: MY	DRAW NO.:MY-CP-0044