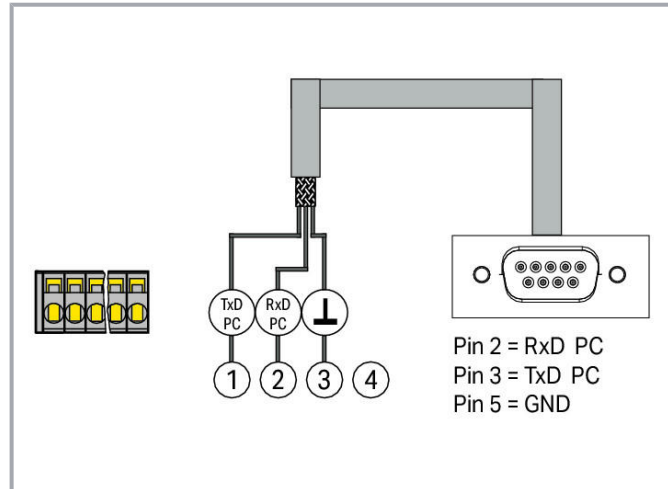
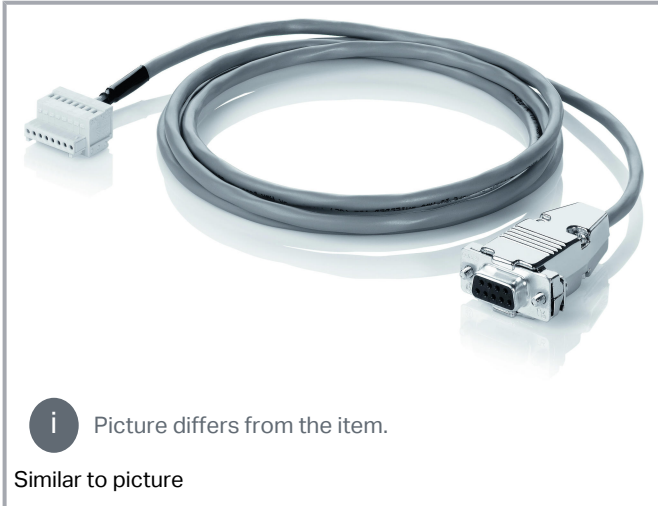


Data sheet | Item number: 787-892

RS-232 communication cable; Length 1.8 m; for 0787-1675

www.wago.com/787-892



Item description

These communication cables are used for configuration and visualization via PC or controller

and are suitable for 787-1675.

Download the corresponding PC software for all 787 Series devices at www.wago.com

Function blocks for communication with the WAGO I/O System 750 and other control systems are also available.

Data

Notes

Note

The communication cable is not electrically isolated.

Technical data

Protection type	IP20 (per EN 60529)
Signaling	1 x RS-232 cable
Communication	RS-232 serial interface RS-232 serial interface

Subject to changes. Please also observe the further product documentation!

WAGO Kontakttechnik GmbH & Co. KG
Hansastr. 27
32423 Minden
Phone: +49571 887-0 | Fax: +49571 887-169
Email: info.de@wago.com | Web: www.wago.com

Do you have any questions about our products?
We are always happy to take your call at +49 (571) 887-44222.

Connection data

Connection type (1)	Module side (787-1675)
Connection technology	1 x 4-pole female connector (734-104) with strain relief
Connection type 2	PC/controller side
Connection technology 2	1 x 9 pole D-sub socket
Cable type	3 x 0.34 mm ² ; shielded

Physical data

Cable length	1.8 m
--------------	-------

Material data

Weight	97 g
--------	------

Environmental requirements

Surrounding air temperature (operation)	-10 ... 70 °C
---	---------------

Commercial data

Product Group	6 (Interface Electronics)
PU (SPU)	1 Stück
Packaging type	box
Country of origin	DE
GTIN	4050821787402
Customs tariff number	85444290900

Optional accessories

Cables and pluggable connectors

Connection cable



Item no.: 761-9005
USB adapter; with 1m connection cable

www.wago.com/761-9005

Downloads

Documentation

Additional Information

Disposal: Electrical and electronic equipment. Packaging

Subject to changes. Please also observe the further product documentation!

WAGO Kontakttechnik GmbH & Co. KG

Hansastr. 27

32423 Minden

Phone: +49571 887-0 | Fax: +49571 887-169

Email: info.de@wago.com | Web: www.wago.com

Do you have any questions about our products?

We are always happy to take your call at +49 (571) 887-44222.



Environmental Product Compliance

Compliance Search

Environmental Product Compliance 787-892

URL

Download

RS-232 communication cable; Length 1.8 m; for 0787-1675

Installation Notes

Subject to changes. Please also observe the further product documentation!

WAGO Kontakttechnik GmbH & Co. KG

Hansastr. 27

32423 Minden

Phone: +49571 887-0 | Fax: +49571 887-169

Email: info.de@wago.com | Web: www.wago.com

Do you have any questions about our products?

We are always happy to take your call at +49 (571) 887-44222.