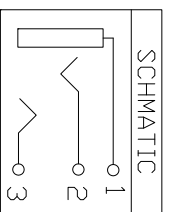
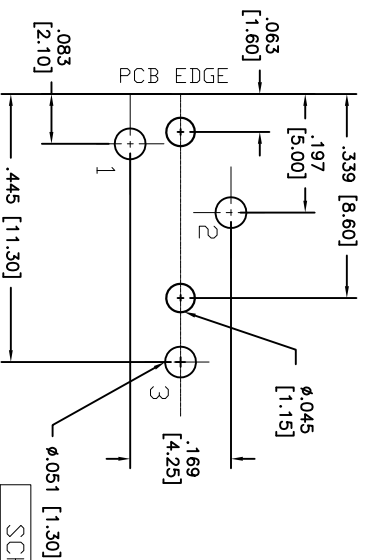
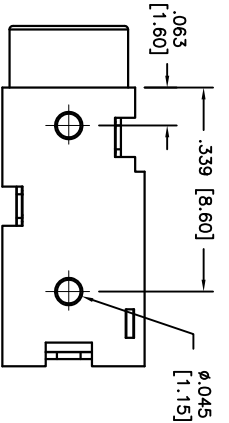
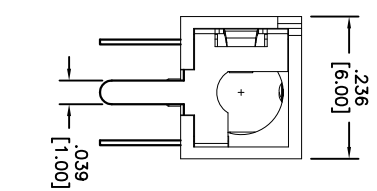
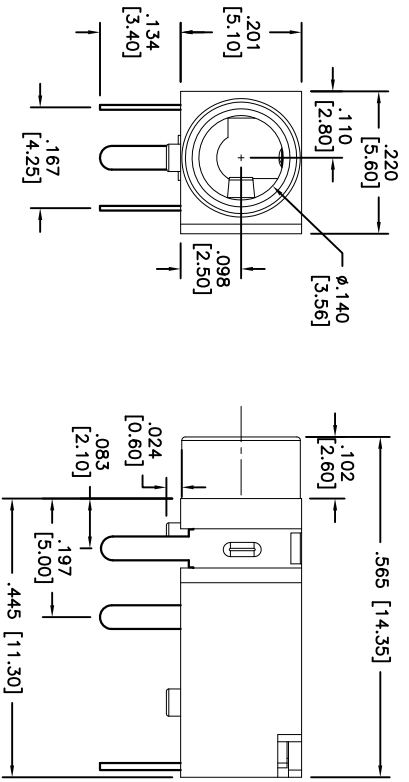


Rev	AWO #	Description	Date	Appr
-		RELEASED	9/15/10	

APPROVED: \_\_\_\_\_  
 DATE: \_\_\_\_\_ TITLE: \_\_\_\_\_



RECOMMENDED PCB LAYOUT

**ADAM TECH**

909 Rahway Avenue, Union, NJ 07083  
 Phone: 908-687-5000 Fax: 908-687-5710

STEREO PHONE JACK, 3.5mm

UNLESS OTHERWISE SPECIFIED ALL DIMENSIONS ARE INCHES [MM]	
TOLERANCES: EXCEPT AS NOTED	
INCHES	HOLDS
.X ± .10	ØXX ± .10
.XX ± .020	ØXX ± .015
.XXX ± .015	ØXXX ± .010
APPROVALS	DATE
DRAWN AY	9/15/10
CHECKED VW	9/15/10
APPROVED	

TITLE		SIZE	PART NO.	REV.
STEREO PHONE JACK, 3.5mm		X	ASL-133-3	-
REF:	S00740T	SCALE:	NTS	SHEET 1 OF 1

**SPECIFICATIONS:**

Material: Insulator: PBT, rated UL 94V-0

Contacts color: Black

Contacts: Phosphor Bronze, Tin plated.

Electrical: Operating voltage: 30 VDC max.

Rated Voltage And Current: DC 12V, 2A Max  
AC 100V, 1A Max

Contact resistance: 30 mohms max.

Insulation resistance: 100 Mohms min.

Dielectric withstanding voltage: 500 VAC for 1 minute

Temperature Rating: Operating temperature: -20°C to +70°C

Environmental: Lead free, RoHS compliant.

Recommended soldering temp: 235°C for 5 sec.

