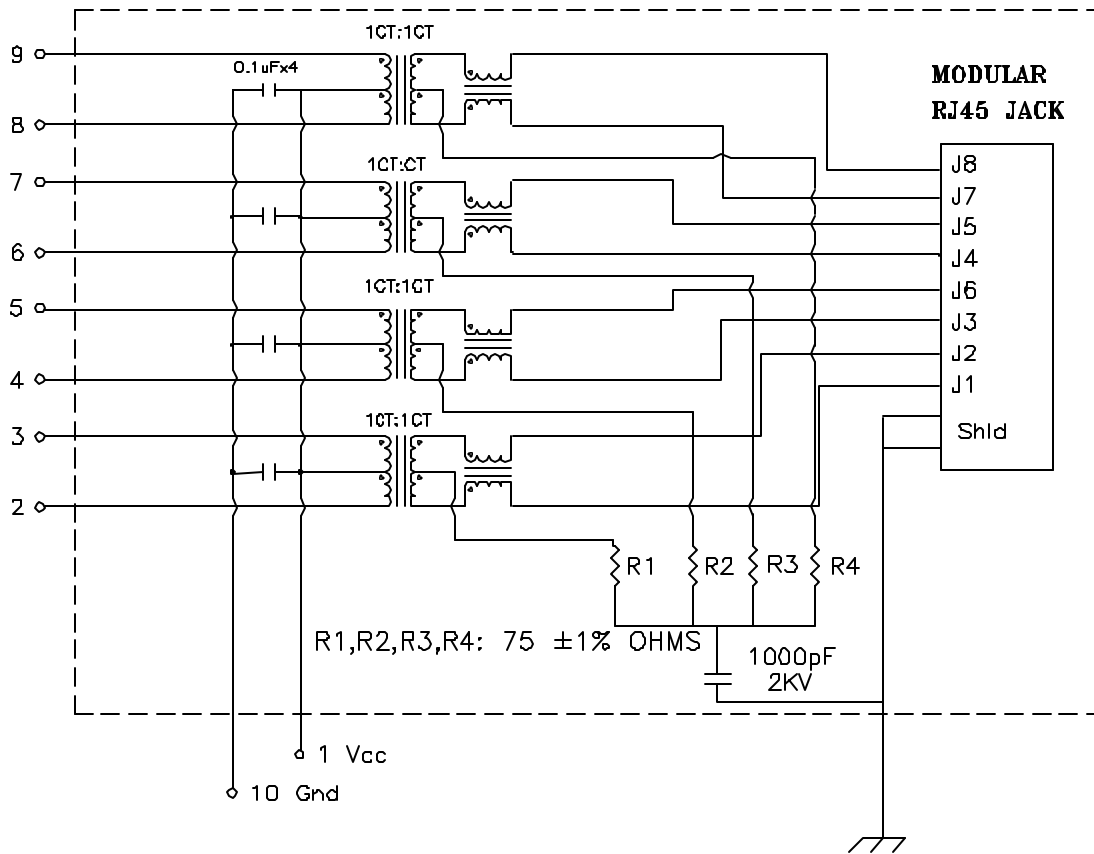


Schematic: (Single Port)



Electrical Specifications: @25°C

ISOLATION: 1500Vrms

TURNS RATIO: {PRI/SEC} 1CT:1CT ±2%

OCL: 350uH MIN @100KHz 100mV 8mADC

Rise Time: 1.75ns Max.

INSERTION LOSS: -1.0dB MAX @1MHz-100MHz
-1.5dB MAX @100-125MHz

RETURN LOSS: -18dB Min @1-30MHz
-15dB Min @40MHz -13.1dB Min @50MHz
-12dB Min @60-80MHz -10dB Min @100MHz

Differential to Common Mode Rejection:
-43dB Min @30MHz -37dB Min @80MHz
-33dB Min @100MHz

CMRR: -30dB Min @1-100MHz

Crosstalk: -45dB Min @30MHz
-40dB Min @60MHz -35dB Min @100MHz

Notes:

- Solderability: Leads shall meet MIL-STD-202, Method 208D for solderability.
- Flammability: UL94V-0
- ASTM oxygen index: > 28%
- Insulation System: Class F 155°C, UL file E151556
- Operating Temperature Range: All listed parameters are to be within tolerance from -40°C to +85°C
- Storage Temperature Range: -55°C to +125°C
- Aqueous wash compatible
- Electrical and mechanical specifications 100% tested
- RoHS Compliant Component

DOC REV: A/1

XFMRS Inc.

Title: SINGLE PORT COMBO

UNLESS OTHERWISE SPECIFIED
TOLERANCES:
.xxx ±0.010

P/N: XFGIB100K-COMBO1-4MS

REV. A

DWN.

刘 鹏

Dec-06-06

Dimensions in Inch

CHK.

李小锋

Dec-06-06

SHEET 1 OF 2

APP.

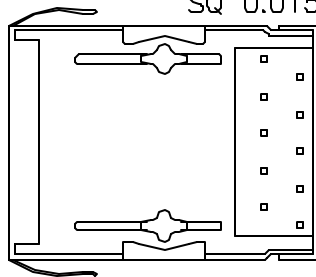
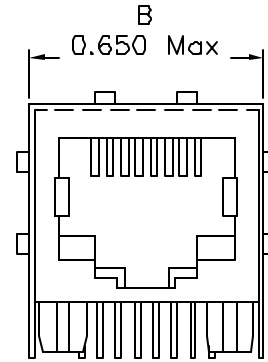
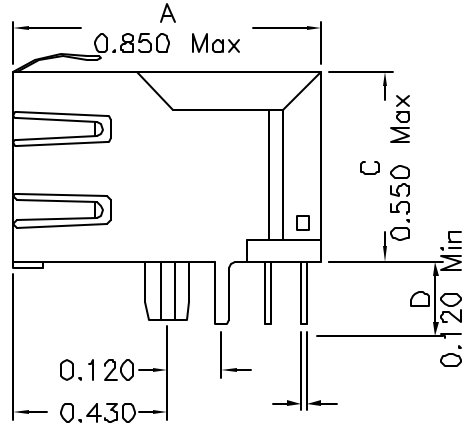
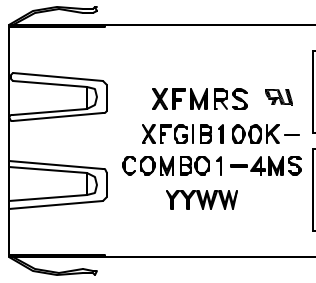
BW

Dec-06-06

PROPRIETARY:

Document is the property of XFMRS Group & is not allowed to be duplicated without authorization.

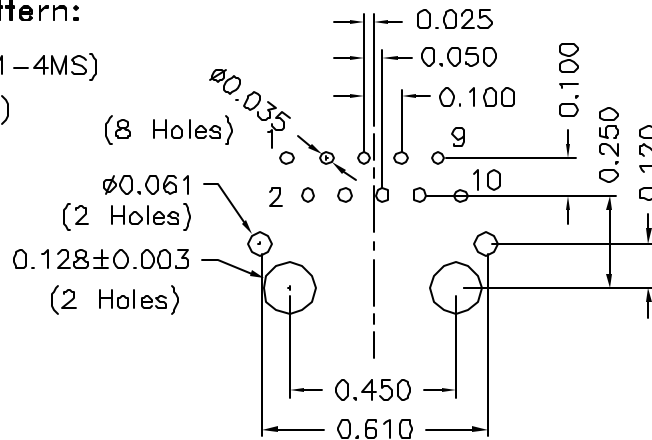
Mechanical Dimensions:



(BOTTOM VIEW)

Mounting Pattern:

(FOR COMBO1-4MS)
(COMP SIDE)



DOC. REV.: A/1

XFMRS Inc. www.XFMRS.com	Title: Mechanical Dimensions For COMBO1-4MS Series		
	P/N: XFGIB100K-COMBO1-4MS	REV. A	UNLESS OTHERWISE SPECIFIED TOLERANCES: .xxx ±0.010 Dimensions in Inch
DWN.	Juan Mao	Dec-06-06	APP.
SHEET 2 OF 2	YK Liao	Dec-06-06	BW
Dec-06-06	Dec-06-06	Dec-06-06	Dec-06-06

PROPRIETARY:

Document is the property of XFMRS Group & is not allowed to be duplicated without authorization.