

DIMENSIONS						
REF.	mm			inch		
	MIN.	TYP.	MAX.	MIN.	TYP.	MAX.
A			1.1			0.043
A1	0.05	0.10	0.15	0.002	0.004	0.006
A2	0.78	0.86	0.94	0.031	0.034	0.037
b	0.25	0.33	0.40	0.010	0.13	0.016
c	0.13	0.18	0.23	0.005	0.007	0.009
D	2.90	3.00	3.10	0.114	0.118	0.122
E	4.75	4.90	5.05	0.187	0.193	0.199
E1	2.90	3.00	3.10	0.114	0.118	0.122
e		0.65			0.026	
K	0°		6°	0°		6°
L	0.40	0.55	0.70	0.016	0.022	0.028
L1			0.10			0.004

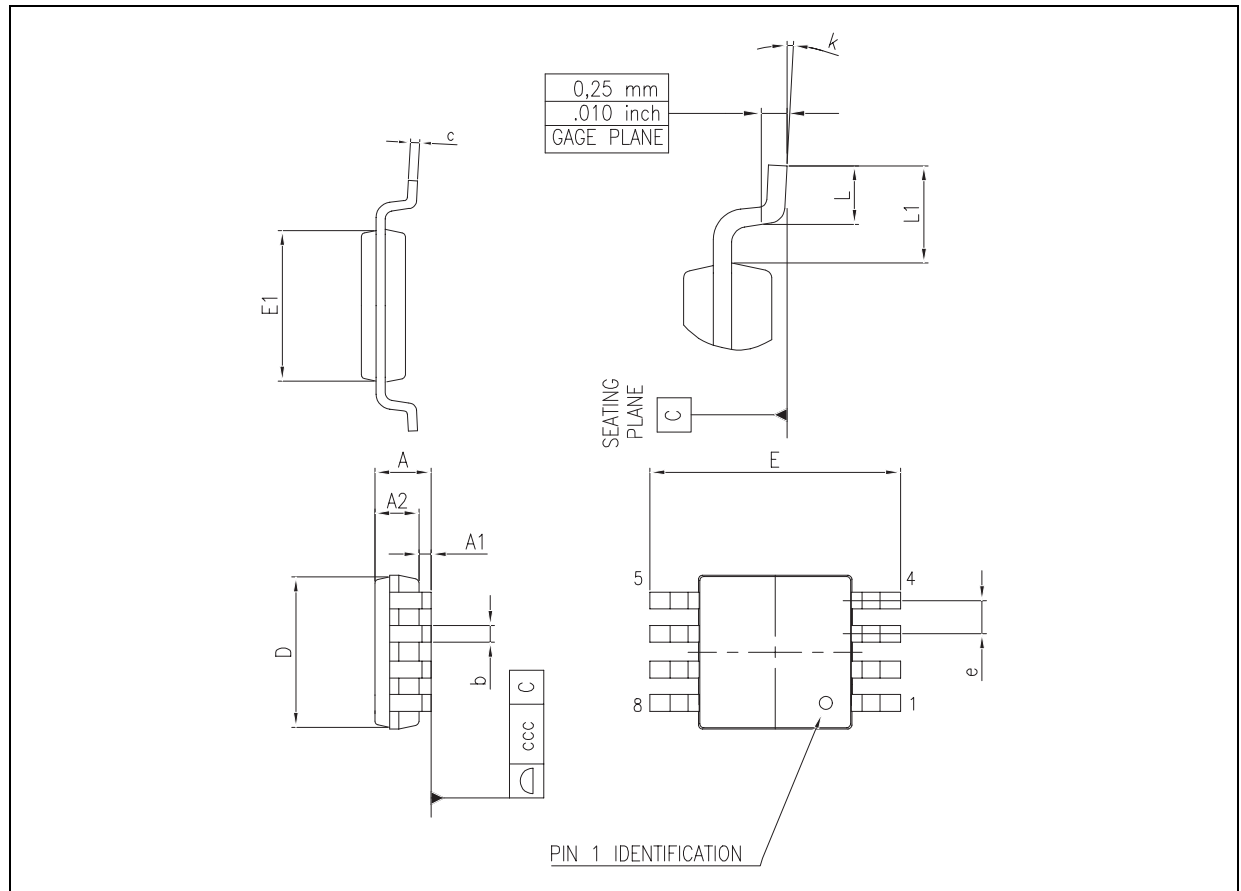


**8-LEAD MINI
SMALL OUTLINE**

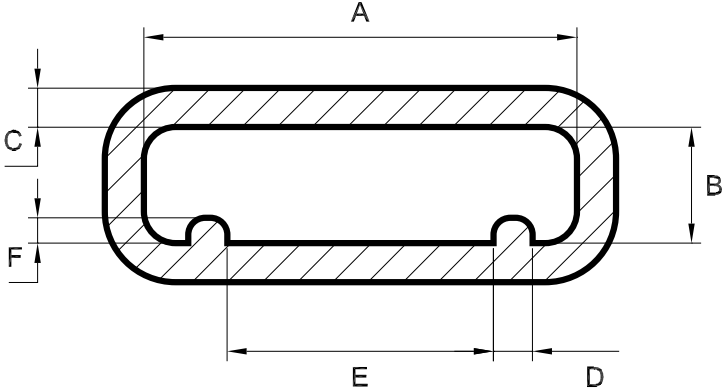
Weight: not available



miniSO-8



TUBE SHIPMENT INFORMATION

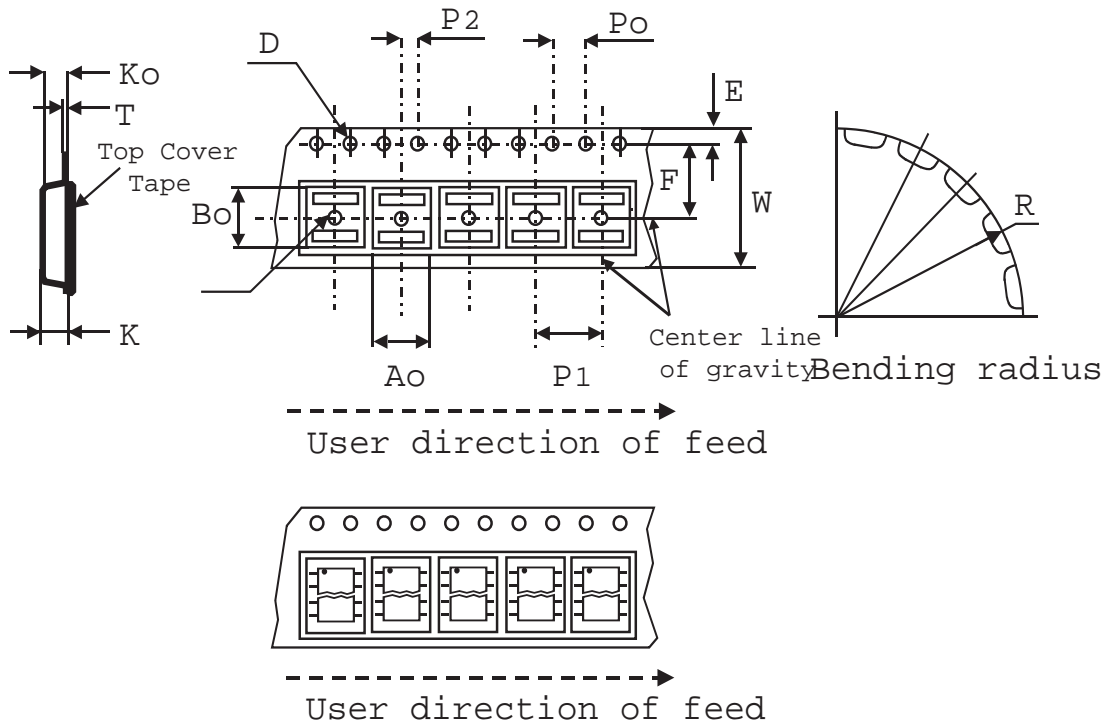


TUBE MECHANICAL DATA		
	mm.	inch
A	5.21 ±0.127	0.205 ±0.005
B	1.40 ±0.127	0.055 ±0.005
C	0.47 ±0.127	0.019 ±0.005
D	0.47	0.019
E	3.20 ±0.20	0.126 ±0.008
F	0.30 ±0.127	0.012 ±0.005

BASE QUANTITY	100 pcs.
BULK QUANTITY	2000 pcs.

TAPE & REEL SHIPMENT INFORMATION

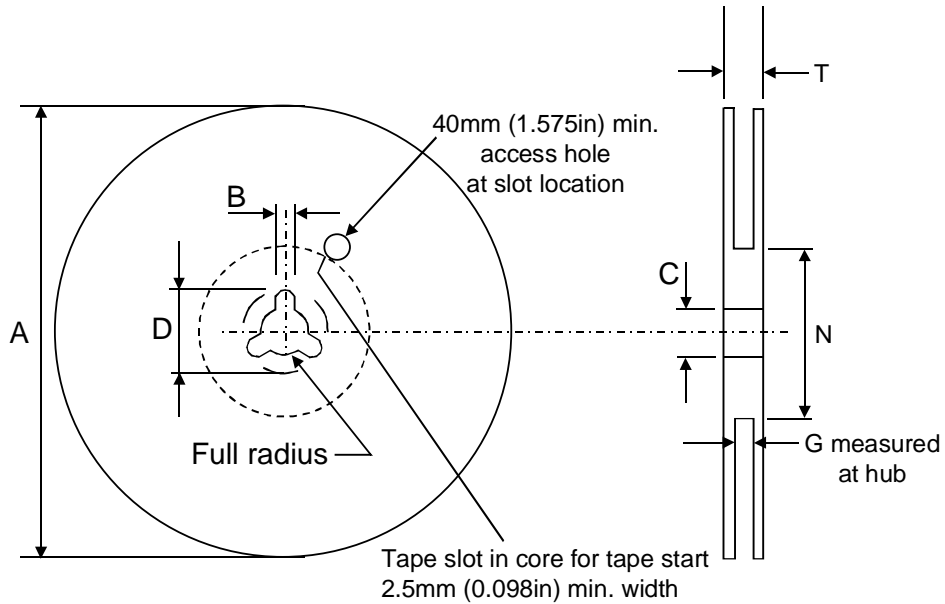
TAPE SPECIFICATIONS



TAPE MECHANICAL DATA		
	mm.	inch
D	1.50 +0.1/0	0.059 +0.004/0
E	1.75 ±0.1	0.069 ±0.004
P ₀	4.00 ±0.1	0.157 ±0.004
T max.	0.40	0.016
D1 min.	1.50	0.059
F	5.5 ±0.05	0.217 ±0.002
K max.	4.50	0.177
P ₂	2.00 ±0.05	0.079 ±0.002
R	30	1.181
W	12.00 ±0.30	0.472 ±0.012
P ₁	8.00	0.315
A ₀ , B ₀ , K ₀	0.05 min to 0.65 max.	0.002 min to 0.026 max.

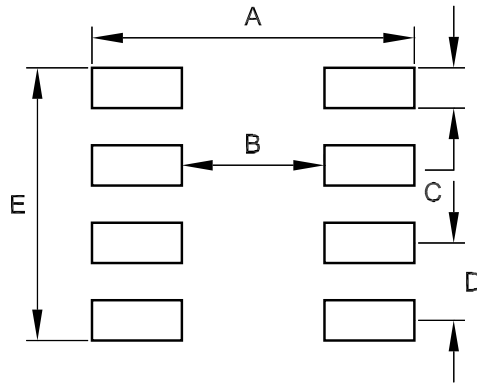
BASE QUANTITY	4000 pcs.
BULK QUANTITY	4000 pcs.

TAPE & REEL SHIPMENT INFORMATION
REEL SPECIFICATIONS



REEL MECHANICAL DATA		
	mm.	inch
Tape size	12.0 ±0.30	0.472 ±0.012
A max.	330.0	12.992
B min.	1.5	0.059
C	13.0 ±0.20	0.512 ±0.008
D min.	20.2	0.795
N min.	60	2.362
G	12.4 +2/-0	0.488 +0.079/-0
T max.	18.4	0.724

FOOTPRINT RECOMMENDED DATA



FOOTPRINT DATA		
	mm.	inch
A	5.67	0.223
B	3.41	0.134
C	0.48	0.019
D	0.65	0.026
E	2.43	0.096