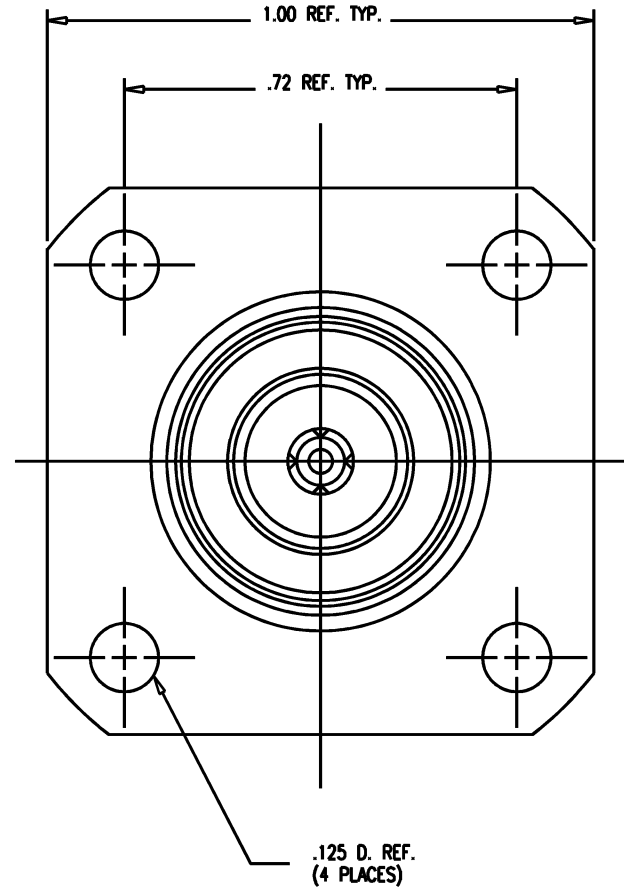
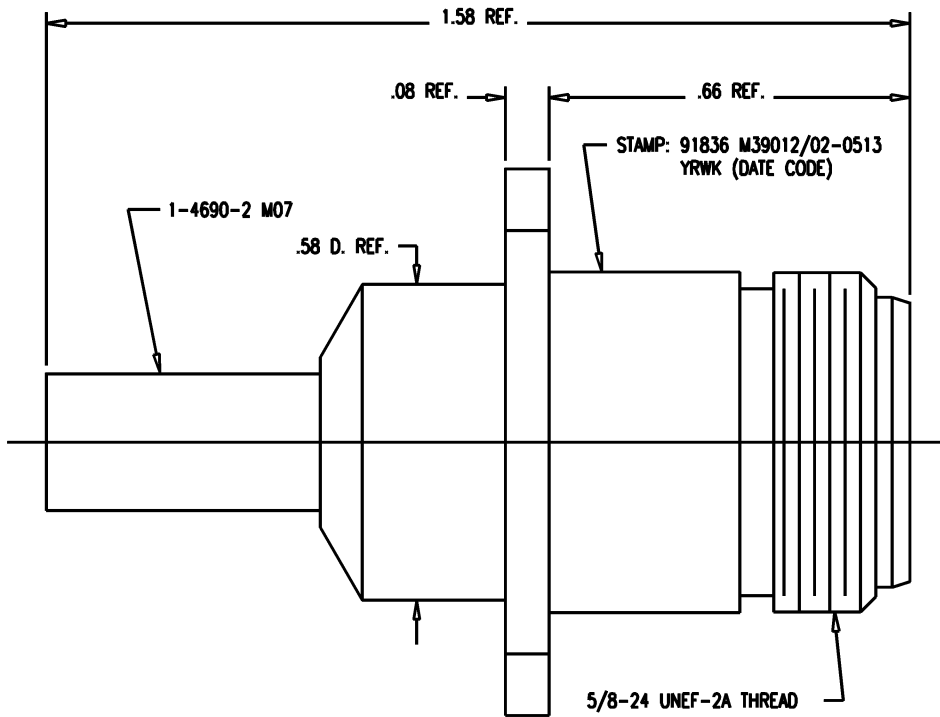


GSD

M39012/02-0513



- NOTES:**
- FOR USE WITH RG-142, 223, & 400/U CABLE GROUPS.
 - FOR CABLING INSTRUCTIONS SEE CP-489.
 - FOR CABLE TRIMMING USE KTJ-162 & KTD-208.
 - FOR FORMING USE CRIMP DIE SIZE 42.
 - INTERFACE PER MIL-STD-348, FIG. 304-2.
 - FOR USE WITH .22 MAX PANEL.
 - CENTER CONTACT (1-534-81 MD9) SUPPLIED UNASSEMBLED.
 - MARK PACKAGE: 91836 M39012/02-0513
YRWK (DATE CODE)
 - MATERIALS:**
INSULATOR: TEFLON, ASTM-D-1457
K-GRIP SLEEVE: BRASS, ASTM-B16, H02
CENTER CONTACT: BER. COP., ASTM-B-196
ALL OTHER PARTS: BRASS, ASTM-B16
 - FINISHES:**
CENTER CONTACT: GOLD PLATE PER MIL-45204
ALL OTHER METAL PARTS: KINGS TARNISH RESISTANT FINISH (TR-5)
 - ELECTRICAL CHARACTERISTICS:**
NOMINAL IMPEDANCE: 50 OHMS
VOLTAGE RATING: 1000 VRMS
FREQUENCY RANGE: DC TO 11 GHz

REVISIONS

ISSUE	CHANGES
9	CN 37859 E REDRAWN TML 07/20/99

KN19148S

SCALE	4:1		
APPROX SURFACE AREA	KN-19-148		
USED ON			
REF:			
JACK, PANEL, N			
DRAWN	AMD	DATE	05/01/87
DESIGN		DATE	
APPR.	MJB	DATE	05/07/87

KINGS
ELECTRONICS CO., INC.
ROCK HILL, SOUTH CAROLINA 29730

M39012/02-0513

GSD