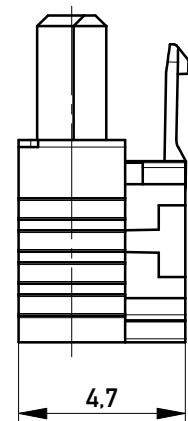
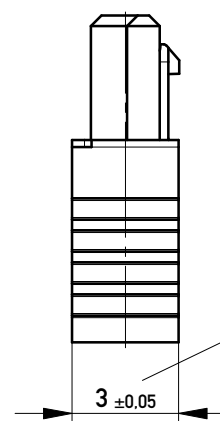


Kabelführung: rot  
cable guide: red

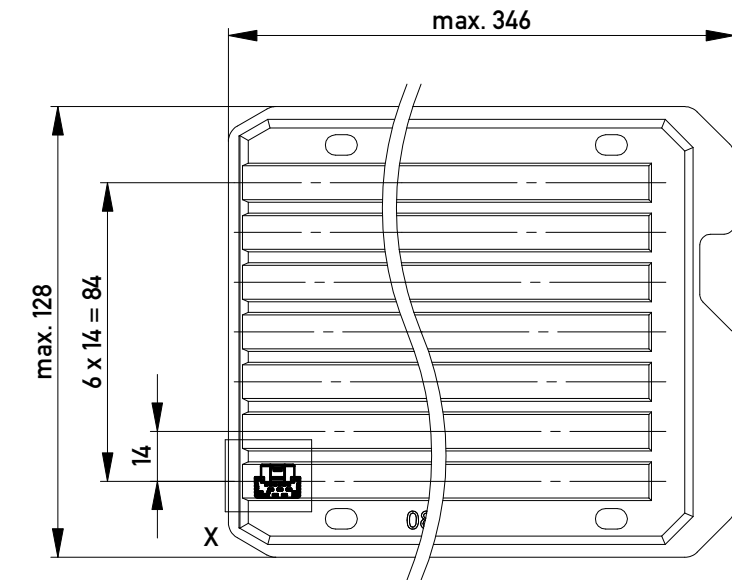


mit aufgesetzter  
Kabelführung  
(Anlieferungszustand)  
with cable guide mounted  
(state at time of supply)

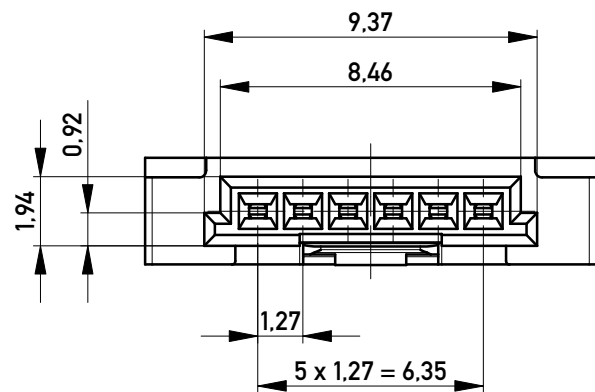
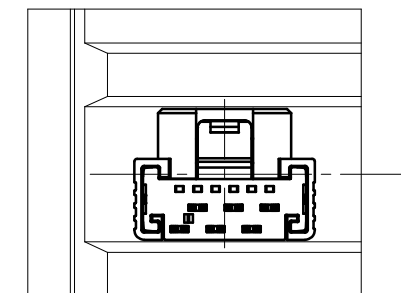


Kabelführung verpresst  
(cable guide pressed on)

Verpackt in Tray - tray packaging  
Verpackungseinheit 168 Stück - packaging unit 168 pcs



Einzelheit X - detail X  
M 2:1



Copyright by ERNI GmbH Proprietary notice pursuant to ISO 16016 to be observed.	Information: nur mit Hilfsmittel lösbar only with tool unlockable	Tolerances  All Dimensions in mm	Scale 5:1
	All rights reserved. Only for Information. To ensure that this is the latest version of this drawing, please contact one of the ERNI companies before using.	Subject to modification without prior notice. Drawing will not be updated.	Designation <b>F 1,27 SRC A IDC 06-pin</b> <b>d=1,07 AWG 24/26 Positive Lock</b>
c Index	19.05.2015 Date	www.ERNI.com	<b>100600870001</b> Class SRCA
			K A3