

PCI-300



Option F

STANDARD PCI SERIES

MODEL	PWR	OUTPUT #1	OUTPUT #2	OUTPUT #3	OUTPUT #4
PCI 304-1203	300	+5 @ 30A	+12 @ 8.0A	-12 @ 4.0A	+3.3 @ 15.0A

Featuring:

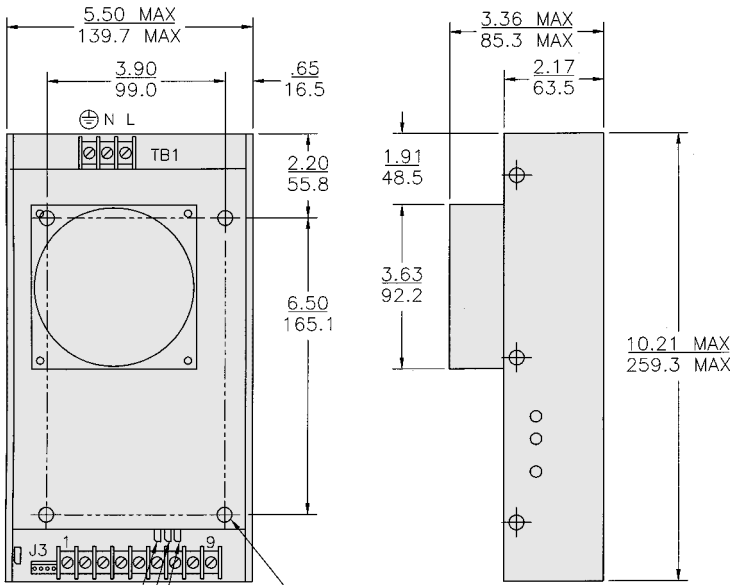
- Quad output
- Floating wide-range fourth output
- Flexible ratings
- Universal AC input
- 0.99 typical power factor
- Remote sense main
- AC power fail
- Available with or without fan
- Safety agency approved

The PCI-304 power supply series offers a combination of outputs designed for systems that require both high-current 5V and 3.3V outputs. Outputs #2 and #3 provide ± 12 volts up to 8 amps.

The series is extremely flexible, and it can be cooled using system airflow or by an integral ball-bearing fan (F option).

The fourth output is fully isolated and is easily configured to your system requirements.

PCI-300
2.6 lbs 1.2 kgs



PEM #8-32
1/4 MAX PENETRATION

- R161 #4V ADJ
- R160 #3V ADJ
- R159 #2V ADJ

SPECIFICATIONS:

INPUT

AC Input: 90 - 264 Vac continuous range, 47 to 63 Hz. Internally fused for 7 A.
Power Factor: 0.99 typical at full load. Meets EN61000-3-2.
Inrush: Cold start AC current limited to 20 A. at 115 Vac, 40 A. at 230 Vac. Limited by thermistor.
Brownout Protection: Holds regulation to 85 Vac.
Holdup Time: 20 ms minimum.
Efficiency: 70% typical at full load nominal line.
AC Power Fail: Provides TTL "0" 5 ms before output goes out of regulation band upon loss of input power.

OUTPUT

Adjustability: ± 5%
Line & Load Reg: ± 1% over AC input range and minimum to maximum load, V1, V2, & V3. V4: ±2%
Minimum Load: 10% on main to insure regulation of aux outputs.
Ripple & Noise: Less than 1% p-p or 100 mV, whichever ever greater.
Remote Sense: (Outputs V1, and V4) Compensates for 500 mv total line drop. Open sense lead protection.
Temperature Coefficient: 0.02% per degree C.
Transient Response: Output voltage returns to within 1% in less than 500 µs for a 50 % load change. Peak transient does not exceed 5%.
Overload Protection: All outputs are protected against overload and short circuit. Automatic recovery upon removal of fault.
Overvoltage Protection: Outputs V1, V2 & V3 protected against power supply induced over voltage condition. Factory set to 125% maximum.
Reverse Voltage: Protected against reversed voltage up to supply current ratings.

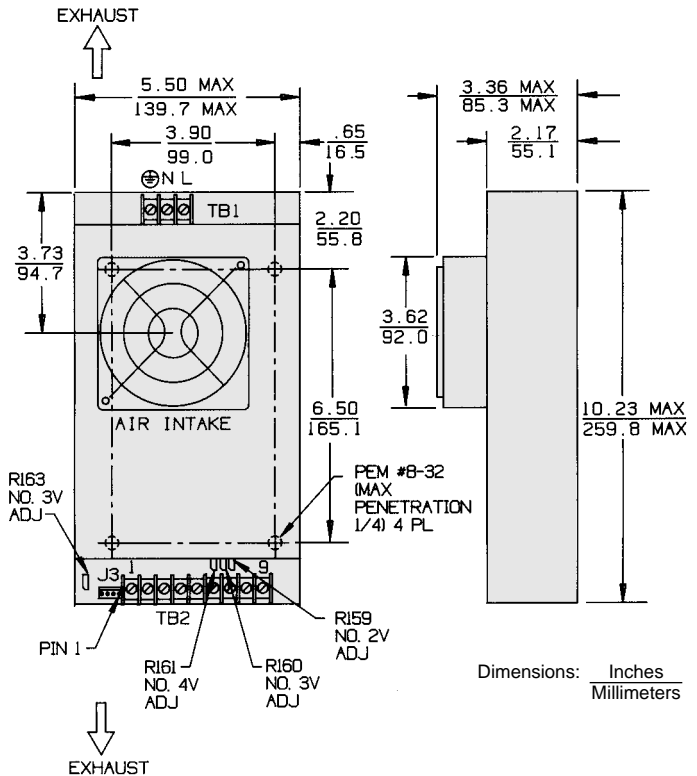
ENVIRONMENTAL

Thermal Protection: Shuts down power supply if overheated. Requires AC input to be recycled to reset.
Temperature Range: 0° C to 50° C. at full ratings.
Safety Agencies: Approved to UL 1950; CSA 22.2 # 234 (950); TUV EN60950, Class 1 SELV; CE 72/23/EEC/93/68EEC (low voltage directive).
Conducted RFI: Meets FCC part 15, Subpart J class A, and CISPR 22 class A.
Output Isolation: Isolated form ground 50Vdc.
Cooling: 30CFM required to achieve full ratings.
Cooling: Self-cooled by ball-bearing fan (F-option).

OPTIONS:

Option F: Integral ball-bearing fan
 Consult factory for other available options.

PCI-300 with Option F
3.2 lbs 1.5 kgs



Dimensions: Inches / Millimeters

AC INPUT (90 - 264 VAC Continuous Range)

FUNCTION	115 VAC	230 VAC	CONNECTOR
TB-1 (L)	Line	Line	Barrier strip #6-32 screw
TB-1 (N)	Neutral	Neutral	Barrier strip # 6-32 screw
TB-1 (GND)	Safety Ground	Safety Ground	Barrier strip #6-32 screw

DC OUTPUT

FUNCTION	LOCATION	NOTES	CONNECTOR
Output #1	TB-2-1,2 (+)	+5V Output	Barrier strip #6-32 Screw
	TB-2-3,4	Rtn (Common)	Barrier strip #6-32 screw
Output #2	TB-2-7 (+)	+12V Output	Barrier strip #6-32 screw
	TB-2-8	Rtn (Common)	Barrier strip #6-32 screw
Output #3	TB-2-9 (-)	-12V Output	Barrier strip #6-32 screw
	TB-2-8	Rtn (Common)	Barrier strip #6-32 screw
Output #4	TB-2-5	+3.3V Output	Barrier strip #6-32 screw
	TB-2-6	Rtn	Barrier strip #6-32 screw

STATUS AND CONTROL

FUNCTION	LOCATION	NOTES	CONNECTOR
Remote Sense	J3-1	3.3v Sense Rtn	Amp #640456-5*
	J3-2	3.3v Sense	Amp #640456-5
	J3-4	+5v Sense Rtn	Amp #640456-5
	J3-5	+5 Sense	Amp #640456-5
AC Power Fail	J3-3	Reference to com	Amp #640456-5

*Mates with AMP # 640440-5 with contact sockets