

PLEASE CHECK WWW.MOLEX.COM FOR LATEST PART INFORMATION

Part Number: [0006023103](#)
Status: **Active**
Overview: [flat blade](#)
Description: Flat Blade Appliance Motor Switch Crimp Housing, 10 Circuit, 10 Circuits

Documents:

[3D Model](#) [Product Specification PS-6313-**** \(PDF\)](#)
[Drawing \(PDF\)](#) [RoHS Certificate of Compliance \(PDF\)](#)

Agency Certification

CSA LR19980
 UL E29179

General

Product Family Crimp Housings
 Series [6313](#)
 Comments Thumb Depress Latch
 Overview [flat blade](#)
 Product Name Flat Blade

Physical

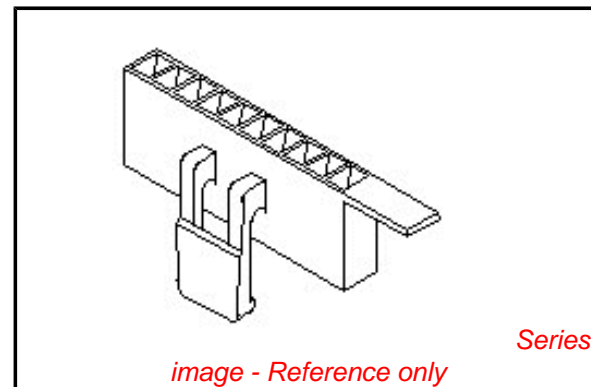
Circuits (maximum) 10
 Color - Resin Natural
 Flammability 94V-2
 Gender Female
 Glow-Wire Compliant No
 Material - Resin Nylon
 Number of Rows 1
 Packaging Type Bag
 Panel Mount No
 Pitch - Mating Interface (in) 0.220 In
 Pitch - Mating Interface (mm) 5.59 mm
 Stackable No
 Temperature Range - Operating -40°C to +75°C

Material Info

Old Part Number 6313-1-10

Reference - Drawing Numbers

Product Specification PS-6313-****
 Sales Drawing SD-6313-1-10



EU RoHS

**ELV and RoHS
 Compliant**
**REACH SVHC
 Contains SVHC: No**
**Halogen-Free
 Status
 Not Reviewed**

China RoHS



**Need more information on product
 environmental compliance?**

Email productcompliance@molex.com
 For a multiple part number RoHS Certificate of
 Compliance, [click here](#)

Please visit the [Contact Us](#) section for any
 non-product compliance questions.

Search Parts in this Series

[6313Series](#)

Mates With

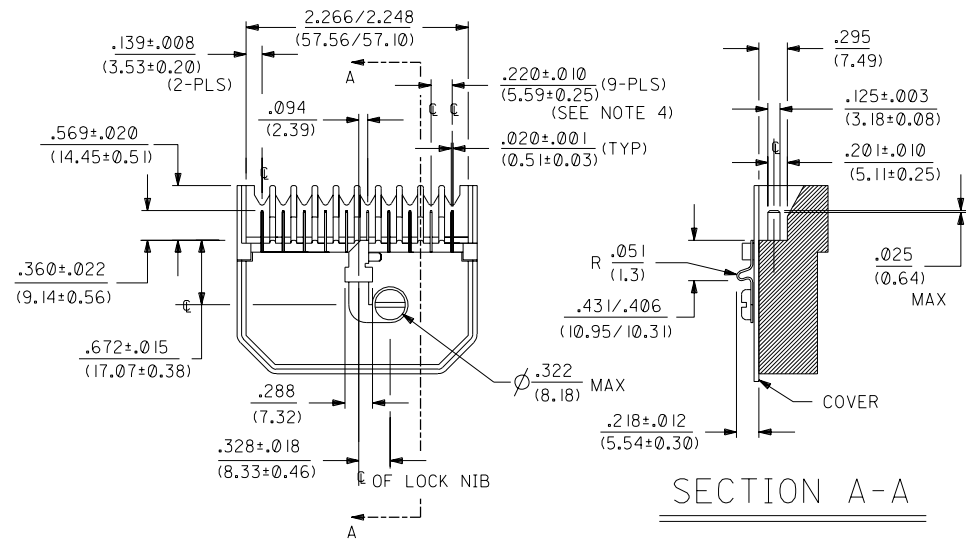
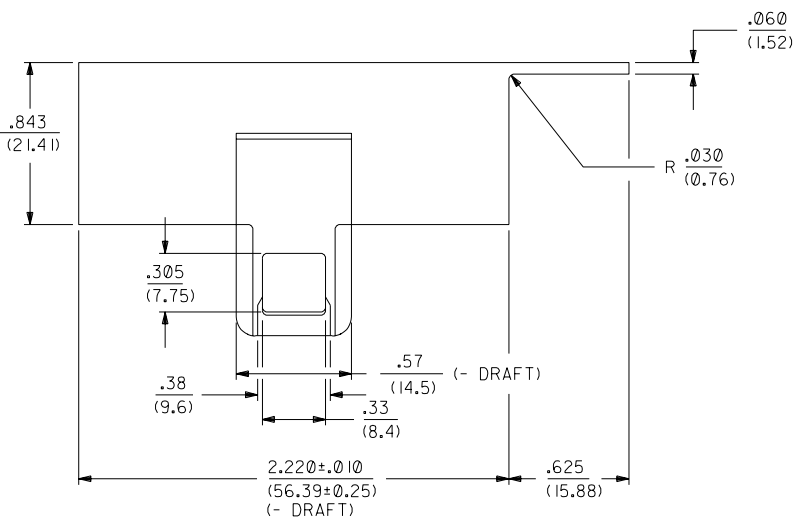
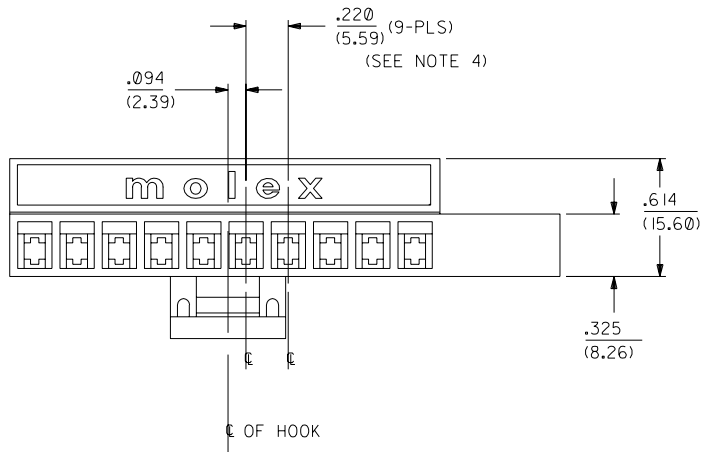
[Appliance Motor](#)

Use With

[1508 Crimp Terminals](#), [43374](#)

NOTES

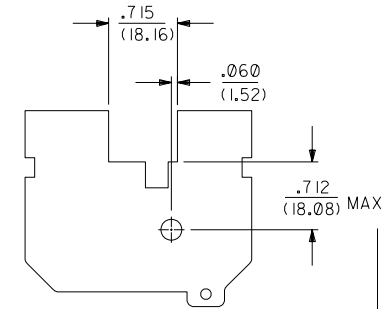
1. THIS HOUSING IS FOR USE WITH TERMINALS:
- ENG. NO. 1508-0009.
2. UNLESS OTHERWISE SPECIFIED, ALL RADII TO BE
.025/(0.64).
3. MATERIAL : NYLON 6/6,94V-2. COLOR : NATURAL
(WHITE/TRANSLUCENT).
4. TOLERANCE IS NOT CUMMLATIVE.
5. PRODUCT SPECIFICATION PS-6313-0001 APPLIES.



SECTION A-A

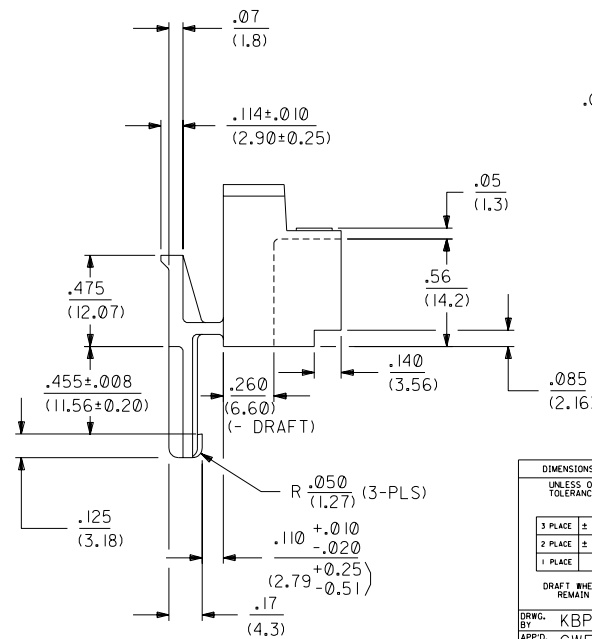
MOTOR SWITCH

SCALE 1:1



COVER

.050±.003/(1.27±0.08) THICK



F2	REVISED PER ECN UCR2001-0698 SOMMER 01/01/26
F1	REVISED PER ECN U80257 PEARSON 97/07/02
F	REVISED PER ECN UT1288 PEARSON 97/04/24
E	REVISED PER ECN U30186 93/02/05 MAB
D	REVISED PER ECN U21564 92/10/22 MAB
C	REVISED PER ECN U00690 90/09/13 TRM
B	REVISED PER ECN U00231 90/2/28 OK
A	RELEASED PER ERO 28632 89/7/21 COMSTOCK
2	REDRAWN PER ERO 28487 89/06/02 KBP

DIMENSIONS SHOWN (METRIC) INCH UNLESS OTHERWISE SPECIFIED TOLERANCES: ANGULAR ± 1/2°		▽ = 0 ▽ = 0 REVISIONS ONLY ON CAD SYSTEM	
TITLE HOUSING, CONNECTOR FOR MOTOR SWITCH APPLICATION		SHEET NO. 1 OF 1 DATE 89/05/23	
MOLEX INCORPORATED LITSE, ILL. 60532 U.S.A.		PART NO. 006-02-3103 DRWG. NO. SD-6313-1-10	
DRWG. BY KBP	CHK'D BY KBP	FILE NAME EHS6313D10	THIS DRAWING CONTAINS INFORMATION THAT IS PROPRIETARY TO MOLEX INC. AND SHOULD NOT BE USED WITHOUT WRITTEN PERMISSION.
APP'D BY GWF	SCALE 2:1	SIZE CO	