

Repair kit - EV-T2CCS-M4X20-BIT-CTS - 1295670

Please be informed that the data shown in this PDF Document is generated from our Online Catalog. Please find the complete data in the user's documentation. Our General Terms of Use for Downloads are valid (<http://phoenixcontact.com/download>)




CHARX connect, Repair kit, with DC contact maintained with integrated front part of DC contacts and their temperature sensors, with special bit for safety screwdriver, CCS type 2, Combined Charging System, High Power Charging, IEC 62196-3-1, HPC, Replacement without draining the coolant

Your advantages

- ✓ Developed and produced in accordance with the IATF 16949 automotive standard and ISO 9001



Key Commercial Data

Packing unit	1
GTIN	 4 063151 532901
GTIN	4063151532901
Custom tariff number	85389099

Technical data

Product definition

Type	with DC contact maintained with integrated front part of DC contacts and their temperature sensors
	with special bit for safety screwdriver
Design	HPC
Standards/regulations	IEC 62196-3-1
Charging standard	CCS type 2
	Combined Charging System
	High Power Charging
Charging mode	Mode 4
Note	Replacement without draining the coolant

Repair kit - EV-T2CCS-M4X20-BIT-CTS - 1295670

Technical data

Ambient conditions

Ambient temperature (operation)	-30 °C ... 50 °C
Ambient temperature (storage/transport)	-40 °C ... 80 °C

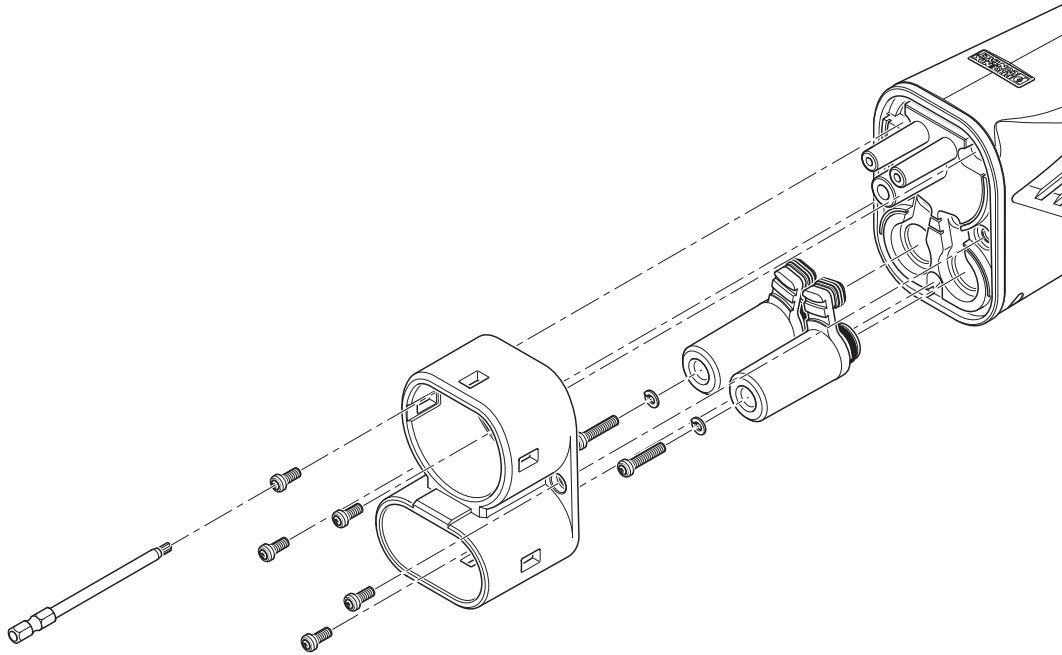
Design

Design line	HPC
Housing color	black

Drawings

Repair kit - EV-T2CCS-M4X20-BIT-CTS - 1295670

Schematic diagram



Assembly drawing

Classifications

eCl@ss

eCl@ss 11.0	27144792
-------------	----------

Accessories

Accessories

Torque tool

Repair kit - EV-T2CCS-M4X20-BIT-CTS - 1295670

Accessories

Torque screwdriver - TSD-M 3NM - 1212225



Torque screw driver, accuracy as per EN ISO 6789 standard, adjustable from 1.2 - 3 Nm
