

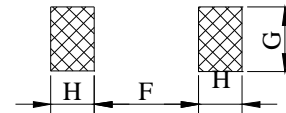
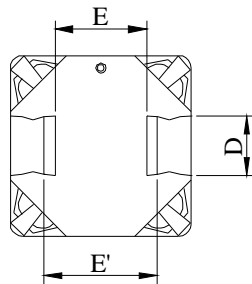
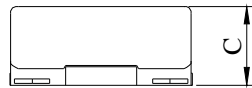
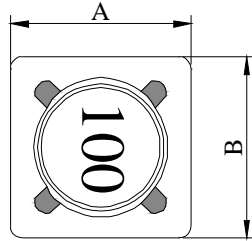
# SPECIFICATION FOR APPROVAL

REF : 20100112-A

PAGE: 1

PROD. NAME	SHIELDED SMD POWER INDUCTOR	ABC'S DWG NO. ABC'S ITEM NO.	BS0703□□□□F□-□□□
---------------	--------------------------------	---------------------------------	------------------

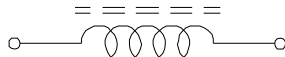
## I . MECHANICAL DIMENSIONS :



( PCB Pattern )

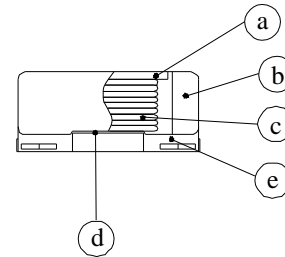
- A : 7.30±0.2 m/m
- B : 7.30±0.2 m/m
- C : 3.50±0.2 m/m
- D : 2.00 typ. m/m
- E : 4.60 typ. m/m
- E' : 4.90 typ. m/m
- F : 4.80 typ. m/m
- G : 2.40 ref m/m
- H : 1.50 ref m/m

## II . SCHEMATIC DIAGRAM :

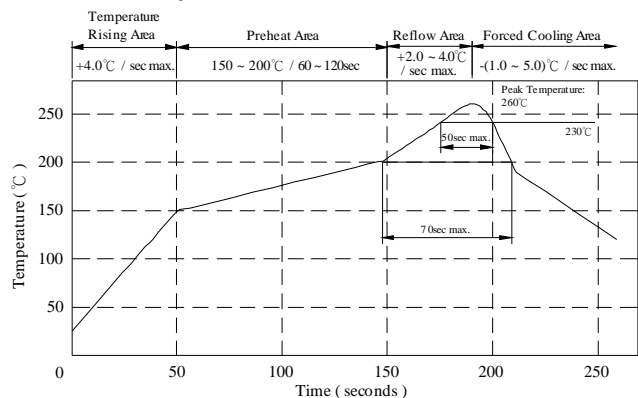


## III . MATERIALS LIST :

- a . Core : Ferrite DR core
- b . Core : Ferrite RI core
- c . Wire : Enamelled copper wire ( class H )
- d . Terminal : Cu/Ni/Sn
- e . Base : LCP Base
- f . Adhesive : Epoxy resin
- g . Remark : Products comply with RoHS' requirements



Peak Temp : 260°C max.  
 Max time above 230°C : 50sec max.  
 Max time above 200°C : 70sec max.



## IV . ELECTRICAL CHARACTERISTICS :

- a . Temp. rise : 40°C max.
- b . Storage temp. : -40°C ----+125°C
- c . Operating temp. : -25°C ----+105°C
- d . Resistance to solder heat : 260°C . 10 secs.

AR-001A

# SPECIFICATION FOR APPROVAL

REF : 20100112-A

PAGE: 2

PROD. NAME	SHIELDED SMD POWER INDUCTOR	ABC'S DWG NO.	BS0703□□□□F□-□□□
		ABC'S ITEM NO.	

## V . ELECTRICAL CHARACTERISTICS :

DWG No.	Inductance (uH)	Test Freq. (Hz) / 1V	RDC (Ω) max.	Irms (A)	Isat (A)
BS0703100MF□-□□□	10.0±20%	1K	0.072	2.10	1.85
BS0703120MF□-□□□	12.0±20%	1K	0.085	1.90	1.60
BS0703150MF□-□□□	15.0±20%	1K	0.105	1.60	1.52
BS0703180MF□-□□□	18.0±20%	1K	0.125	1.40	1.40
BS0703220MF□-□□□	22.0±20%	1K	0.160	1.20	1.28
BS0703270MF□-□□□	27.0±20%	1K	0.185	1.10	1.15
BS0703330MF□-□□□	33.0±20%	1K	0.220	1.00	1.04
BS0703390MF□-□□□	39.0±20%	1K	0.250	0.95	0.96
BS0703470MF□-□□□	47.0±20%	1K	0.320	0.85	0.88
BS0703560MF□-□□□	56.0±20%	1K	0.350	0.78	0.80
BS0703680MF□-□□□	68.0±20%	1K	0.400	0.72	0.74
BS0703820MF□-□□□	82.0±20%	1K	0.480	0.63	0.65
BS0703101MF□-□□□	100.0±20%	1K	0.630	0.54	0.60
BS0703121MF□-□□□	120.0±20%	1K	0.720	0.53	0.55
BS0703151MF□-□□□	150.0±20%	1K	0.930	0.47	0.48
BS0703181MF□-□□□	180.0±20%	1K	1.150	0.43	0.45
BS0703221MF□-□□□	220.0±20%	1K	1.320	0.40	0.42
BS0703271MF□-□□□	270.0±20%	1K	1.700	0.30	0.37
BS0703331MF□-□□□	330.0±20%	1K	2.000	0.33	0.33
BS0703391MF□-□□□	390.0±20%	1K	2.300	0.30	0.30
BS0703471MF□-□□□	470.0±20%	1K	2.800	0.26	0.27
BS0703561MF□-□□□	560.0±20%	1K	3.500	0.23	0.25
BS0703681MF□-□□□	680.0±20%	1K	4.000	0.21	0.22
BS0703821MF□-□□□	820.0±20%	1K	5.200	0.19	0.21
BS0703102MF□-□□□	1000.0±20%	1K	5.800	0.17	0.18

1). □ : Packaging Information... [A] : Bulk [B] : Taping Reel

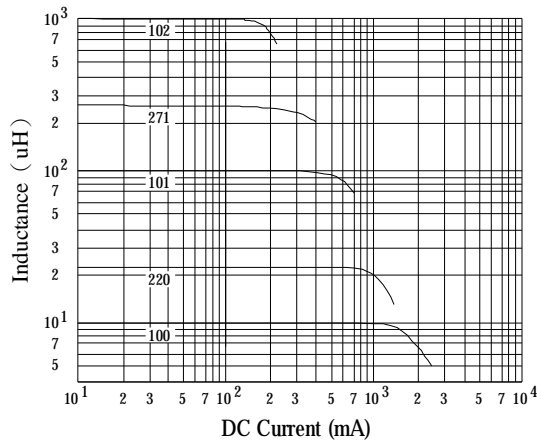
2). "-□□□" : Reference code

3). L Test Freq. : 1KHz / 1V

4). Irms base on Temp. rise 40°C max.

5). Isat base on ΔL/LOA=25% max.

@ Inductance VS. DC Current Curve



AR-001A



千如電子集團  
ABC ELECTRONICS GROUP.

# SPECIFICATION FOR APPROVAL

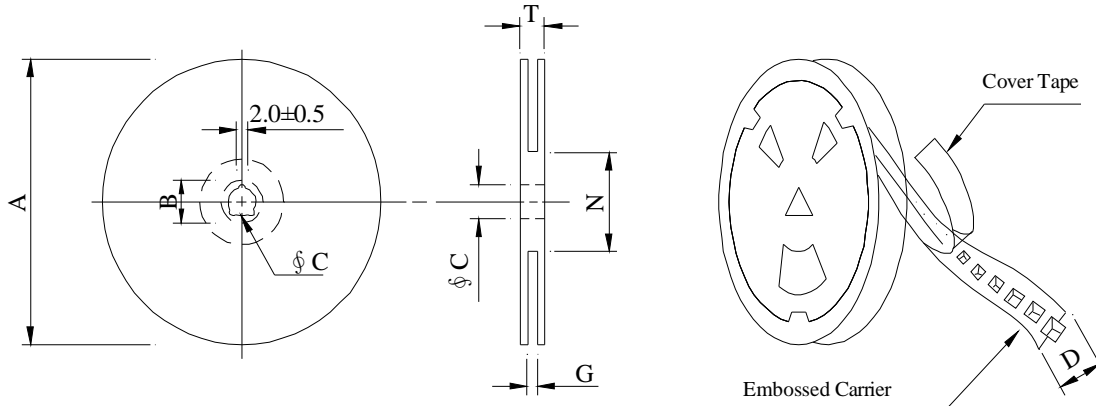
REF: 20100112-A

PAGE: 3

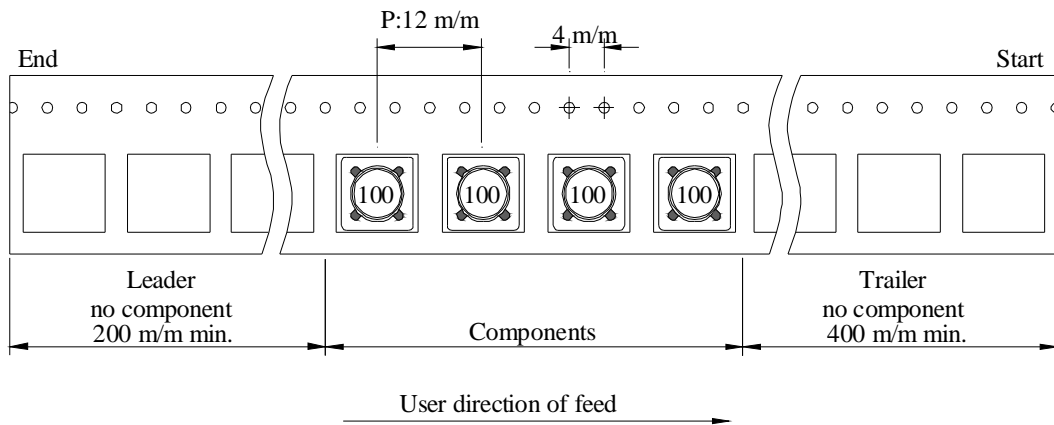
PROD. NAME	SHIELDED SMD POWER INDUCTOR	ABC'S DWG NO.	BS0703□□□□F□-□□□
		ABC'S ITEM NO.	

## VI . PACKAGING INFORMATION :

### ( 1 ) Configuration



※Carrier Tape Width : D



### ( 2 ) Dimensions

Unit:m/m

Style	A	B	C	D	G	N	T
13 - 16	330	21±0.8	13±0.5	16	18 <sup>+0</sup>	50 <sup>-0</sup>	22.4

### ( 3 ) Q'TY & G.W. Per package

Series	Inner : Reel			Outer : Carton		
	Q'TY (pcs)	G.W. (gw)	Style	Q'TY (pcs)	G.W. (Kg)	Size (cm)
BS0703-F	1,500	1,250	13 - 16	9,000	17.0	40 x 40 x 24

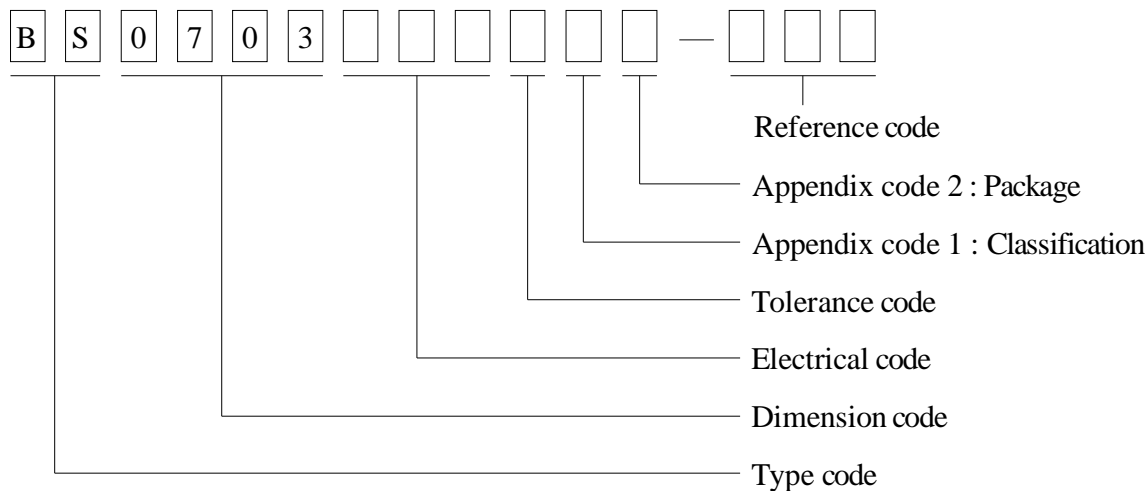
# SPECIFICATION FOR APPROVAL

REF: 20100112-A

PAGE: 4

PROD. NAME	SHIELDED SMD POWER INDUCTOR	ABC'S DWG NO.	BS0703□□□□F□-□□□
		ABC'S ITEM NO.	

**VII . DWGING NUMBER EXPRESSION :**



**Appendix code 1 : Product Classification**

- F : Lead Free Standard products comply with RoHS' requirements
- 1 ~ 9 : Lead Free Special products comply with RoHS' requirements

**Appendix code 2 : Package Information**

Code	Inner package	Inner package QTY	Remark
A	T.B.D.	T.B.D.	
B	T / R ( Reel package )	1500 pcs	

# SPECIFICATION FOR APPROVAL

REF: 20100112-A

PAGE: 5

PROD. NAME	SHIELDED SMD POWER INDUCTOR	ABC'S DWG NO. ABC'S ITEM NO.	BS0703□□□□F□-□□□
---------------	--------------------------------	---------------------------------	------------------

**VIII . RELIABILITY TEST :**

Test item	Specification	Test condition						
Solderability	More than 95% of the terminal electrode shall be covered With fresh solder.	Preheat : 155°C / 4 hours. Solder : Sn96.5 / Ag3 / Cu0.5 or equivalent Solder temp. : 235±5°C Flux : Rosin Dip time : 5±0.5 seconds						
Thermal shock test ( Temp. cycle )	Electrical oharacteristics shall not change more than ±20%	<table style="width: 100%; border: none;"> <tr> <td style="text-align: center;">Room temp. 15 minutes</td> <td style="text-align: center; vertical-align: middle;">→</td> <td style="text-align: center;">-25 °C 30 minutes</td> </tr> <tr> <td style="text-align: center;">Room temp. 15 minutes</td> <td style="text-align: center; vertical-align: middle;">→</td> <td style="text-align: center;">+105 °C 30 minutes</td> </tr> </table> <p>Total : 50 cycles</p>	Room temp. 15 minutes	→	-25 °C 30 minutes	Room temp. 15 minutes	→	+105 °C 30 minutes
Room temp. 15 minutes		→	-25 °C 30 minutes					
Room temp. 15 minutes		→	+105 °C 30 minutes					
Humidity Test		Temperature : 40±2°C Humidity : 90±5% Time : 1000 hours						
High temp. Resistance test	Temperature : 105±5°C Applied current : Per spec. Time : 96 hours							

# SPECIFICATION FOR APPROVAL

<b>PROD. NAME</b>	<b>SHIELDED SMD POWER INDUCTOR</b>	<b>ABC'S DWG NO.</b>	<b>BS0703□□□□F□-□□□</b>
		<b>ABC'S ITEM NO.</b>	

**IX . UL CARD :**

<b>OBMW2</b>		October 06, 2005			
<b>Magnet Wire-Component</b>					
<b>ELEKTRISOLA (MALAYSLA) SDN BHD</b>					<b>E143312</b>
<b>JALAN DAMAI SATU JANDA BAIK 28750 BENTONG, PAHANG DARUL MAKMUR MALAYSIA</b>					
Mtl Dsg	Mark Dsg	Coating Type		ANSI Typ	Temp Class
		BC	OC		
Estersol 180	E180	Polyesterimide (solderable)	---	MW-77	180
Amldester 200	A200	Polyesterimide	---	MW-74	200
Polysol-N 155	PN155	Polyurethane	Nylon	MW-80, MW-28	155, 130
Polysol 155	P155, G155	Polyurethane	---	MW-79, MW-75	155, 130
Polysol 155g	Pg155	Polyurethane	---	MW-75	130
Polysol 155p	Pp155,Gp155	Polyurethane	---	MW-79	155
Polysol 160	P160	Polyurethane	---	MW-79	155
Polysol 180	P180,G180	Polyurethane	---	MW-82 MW-79	180 155
Polysol 170	P170 or G170	Polyurethane	---	MW-79	155
Polysol-N 180	PN180	Polyurethane	Nylon	MW-83	180
Polysol P155p	P155p	Polyurethane	---	MW-79	155
Marking : Company name, material designation or marked designation and factory identification on package ok reel					
-----					
See General Information preceding These Recognitions					
For use only in equipment where the acceptability of the combination is determined by Underwriters Laboratories Inc.					

<b>SUMITOMO CHEMICAL CO LTD</b>					<b>E54705 (M)</b>						
<b>5-33 KITAHAMA 4-CHOME CHUO-KO, OSAKA JAPAN</b>											
Mtl Dsg	Col	Min Thk mm	UL94 Flame Class	Elec	RTI		H W I	H A I	H V R	D 4 5	C T I
					with Imp	w/o Imp					
Liquid crystal polyester (LCP), designated "EKONOL" or "SUMIKASUPER", furnished in the form of pellets, (Contd)											
E4008 , E400X	NC, BK	0.30	94V-0	130	130	130	---	---	---	---	---
		0.75	94V-0	130	130	130	3	4	---	---	---
		1.5	94V-0	130	130	130	2	4	---	---	---
		3.0	94V-0	130	130	130	1	4	0	5	4
E4008	NC, WT, BK	0.30	94V-0	130	130	130	---	---	---	---	---
		0.75	94V-0	220	180	220	3	4	---	---	---
		1.5	94V-0	220	200	240	2	4	---	---	---
		3.0	94V-0	220	200	240	1	4	0	5	4
E4010	NC, BK	0.30	94V-0	130	130	130	---	---	---	---	---
		0.75	94V-0	220	180	220	3	4	---	---	---
		1.5	94V-0	220	200	240	2	4	---	---	---
		3.0	94V-0	220	200	240	1	4	0	5	4
E400(Y)L , E4008L	NC, BK	0.30	94V-0	130	130	130	---	---	---	---	---
		0.75	94V-0	130	130	130	3	4	---	---	---
		1.5	94V-0	130	130	130	2	4	---	---	---
		3.0	94V-0	130	130	130	1	4	0	5	4
E4810	NC, BK	0.30	94V-0	130	130	130	---	---	---	---	---
		0.75	94V-0	130	130	130	0	4	---	---	---
		1.5	94V-0	130	130	130	0	4	---	---	---
		3.0	94V-0	130	130	130	1	4	0	5	4
(X) Denotes any number 1 thru 9.											
(Y) Denotes any number 1 thru 7.											