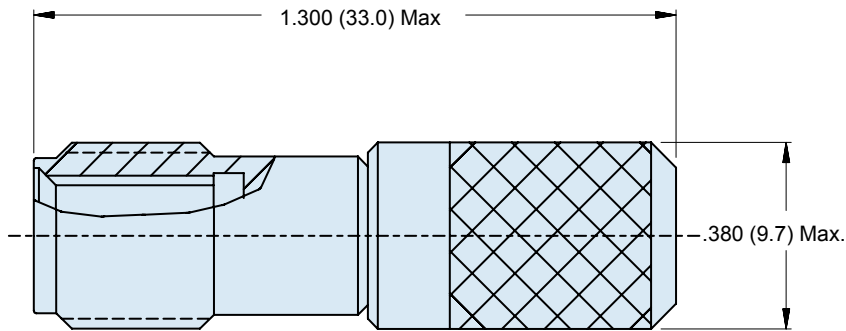
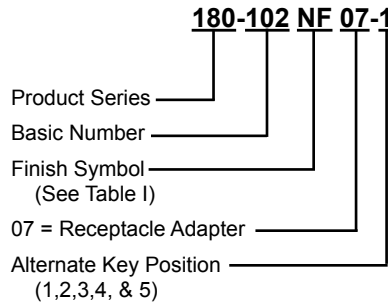


# 180-102 (07 Receptacle) Fiber Optic Probe Adapter



**RECEPTACLE ASSEMBLY-07**

### APPLICATION NOTES

1. Assembly identified with manufacturer's name and P/N, space permitting.
2. For Fiber Optic Test Probe Terminus See Glenair drawing 181-006.
3. Material/ Finish:  
 Shell/ Plug- Al Alloy/ See Table I  
 Rear Body- Al Alloy/ See Table I  
 Coupling Nut- Al Alloy/ See Table I  
 Retaining Clips- Beryllium Copper/ N.A.  
 Spring- Stainless Steel  
 Wire Retention- Stainless Steel  
 O-Ring- Fluorosilicone
4. Metric dimensions (mm) are indicated in parentheses.

**TABLE I: FINISH**

SYM	MATERIAL	FINISH
M	Aluminum	Electroless Nickel
NF	Aluminum	Cadmium/Olive Drab over Electroless Nickel (500-Hr. Salt Spray)
C	Aluminum	Black Anodize